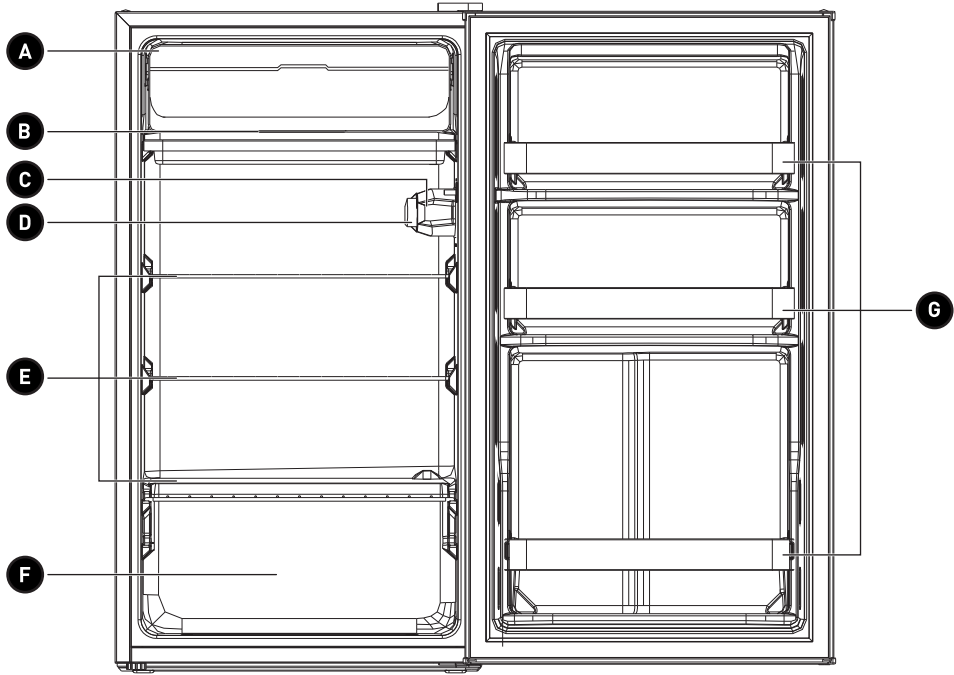


Fridge
Réfrigérateur
Koelkast
Frigorífico

983821 - TT 93 E W625C

| | |
|-------------------------|---------|
| INSTRUCTIONS FOR USE |02 |
| CONSIGNES D'UTILISATION |18 |
| GEBRUIKSAANWIJZINGEN |34 |
| INSTRUCCIONES DE USO |50 |







Thank you!

Thank you for choosing this HIGHONE product. HIGHONE products are chosen, tested, and recommended by ELECTRO DEPOT, so you can be sure you are getting a top-quality, easy-to-use product that won't let you down.

We're confident your new device will be a pleasure to use every day!

Welcome to ELECTRO DEPOT.



ELECTRO DEPOT

2

EN

Table of Contents

A

Product overview

Parts

B

Product usage

Proper use of refrigerators
Structure and functions

C

**Cleaning and
maintenance**

Maintenance of refrigerator
Troubleshooting

Parts

A Little door

E Shelf

B Drain tray

F Fruit and vegetable box

C Lamp

G Fence

D Temperature control knob

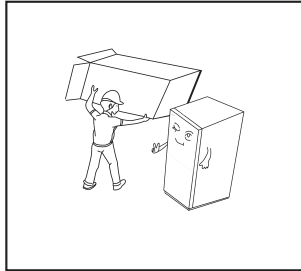


The picture above is only for reference. The actual configuration will depend on the physical product or statement by the distributor.

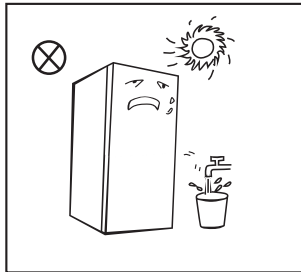
Proper use of refrigerators

Placement

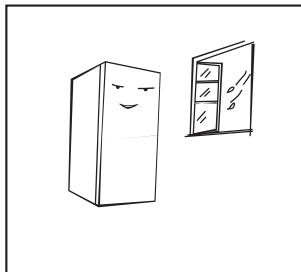
- Before use, remove all packing materials, including bottom cushions, foam pads and tapes inside of the refrigerator; tear off the protective film on the doors and the refrigerator body.



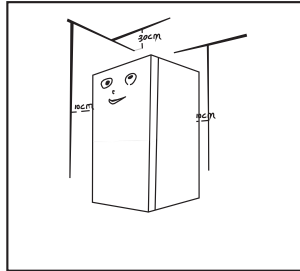
- Keep away from heat and avoid direct sunlight. Do not place the freezer in moist or watery places to prevent rust or reduction of insulating effect.
- Do not spray or wash the refrigerator; do not put the refrigerator in moist places easy to be splashed with water so as not to affect the electrical insulation properties of the refrigerator.



- The refrigerator is placed in a well-ventilated indoor place; the ground shall be flat, and sturdy (rotate left or right to adjust the wheel for levelling if unstable).



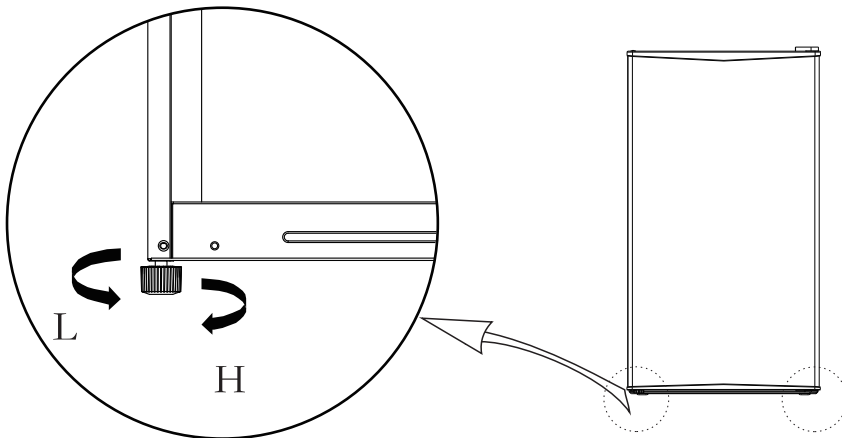
- The top space of the refrigerator shall be greater than 30cm, and the refrigerator should be placed against a wall with a free distance more than 10cm to facilitate heat dissipation.

**Precautions before installation:**

- Information in the Instruction Manual is only for reference. The physical product may differ. Before installation and adjusting of accessories, it shall be ensured that the refrigerator is disconnected from power.
- Precautions shall be taken to prevent fall of the handle from causing any personal injury.

Levelling feet

1. Schematic diagram of the levelling feet



The picture above is only for reference. The actual configuration will depend on the physical product or statement by the distributor.

2. Adjusting procedures:
 - a. Turn the feet clockwise to raise the refrigerator;
 - b. Turn the feet counterclockwise to lower the refrigerator;
 - c. Adjust the right and left feet based on the procedures above to a horizontal level.

Door right-left change

List of tools to be provided by the user



Cross screwdriver



Putty knife thin-blade screwdriver

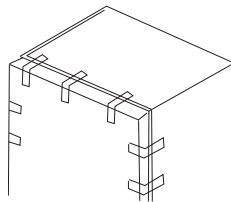


5/16" socket spanner

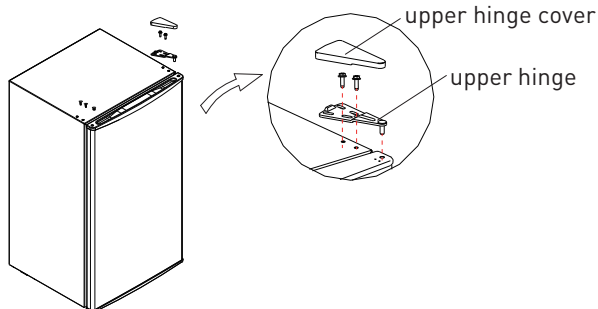


Masking tape

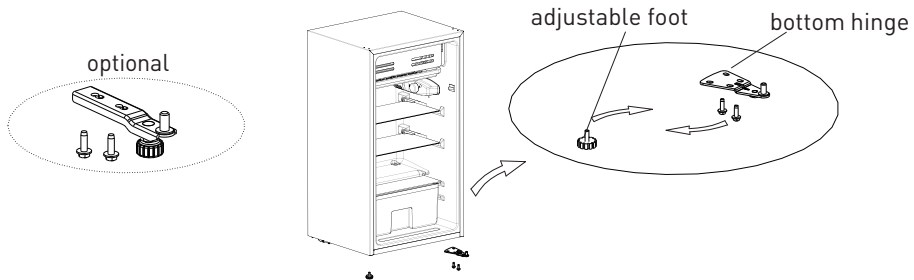
1. Power off the refrigerator, and remove all objects from the door trays.
2. Fix the door with tape.



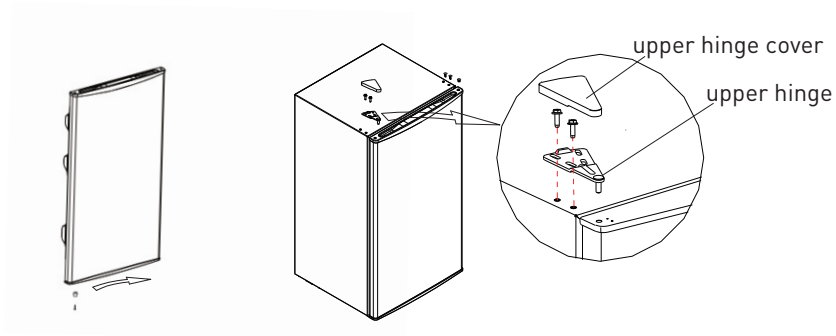
3. Dismantle the upper hinge cover, screws and upper hinge, and remove the plastic screw hole caps from the other side



4. Dismantle the door and the bottom hinge assembly and adjustable foot, then assemble the bottom hinge assembly and adjustable foot on other side.



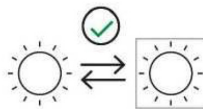
5. Dismantle the stopper under the door, then assemble the stopper on the other side. Put the door on bottom hinge and assemble the upper hinge, upper hinge cover and plastic screw hole caps successively.



The picture above is only for reference. The actual configuration will depend on the physical product or statement by the distributor.

Changing the light (optional)

- This product contains a light source exempted of energy efficiency class.
- Light source in this product can be replaced by the end user.
- Please unplug the appliance before any light source change operation.
- The light source shall be removed at the end of the product's useful life, with sorting and recycling done separately.



Replacement of incandescent lamps:

- Disconnecting the power supply before carrying out the bulb replacement,

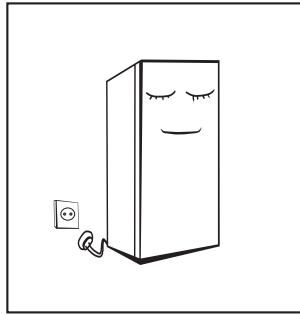
- Hold and remove the light bulb cover.
- Dismantle the old bulb by unscrewing it counterclockwise. replace by a new bulb (Max. 10W) by screwing it clockwise, and make sure it is fixed in the bulb holder tightly.
- Reassemble the light cover and re-connect your fridge to the power supply.



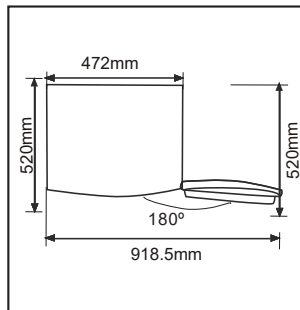
Above is only for reference. The actual configuration will depend on the physical product or statement by the distributor.

Starting to use

- Before initial start, keep the refrigerator still for half an hour before connecting it to power supply.
- Before putting any fresh or frozen foods, the refrigerator shall have run for 2-3 hours, or for above 4 hours in summer when the ambient temperature is high.



- Spare enough space for convenient opening of the doors and drawers or statement by the distributor.



Energy saving tips

- The appliance should be located in the coolest area of the room, away from heat producing appliances or heating ducts, and out of the direct sunlight.

- Let hot foods cool to room temperature before placing in the appliance. Overloading the appliance forces the compressor to run longer. Foods that freeze too slowly may lose quality, or spoil.
- Be sure to wrap foods properly, and wipe containers dry before placing them in the appliance. This cuts down on frost build-up inside the appliance.
- Appliance storage bin should not be lined with aluminum foil, wax paper, or paper toweling. Liners interfere with cold air circulation, making the appliance less efficient.
- Organize and label food to reduce door openings and extended searches. Remove as many items as needed at one time, and close the door as soon as possible.

Structure and functions

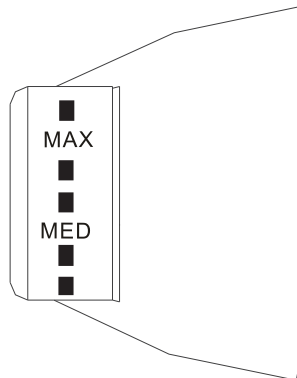
Refrigerating chamber

- The refrigerating chamber is suitable for storage of a variety of fruits, vegetables, beverages and other food consumed in the short term. Suggested storage time 3 days to 5 days. It is the most energy efficient to place food in the position.
- Cooking foods shall not be put in the refrigerating chamber until cooled to room temperature.
- Foods are recommended to be sealed up before putting into the refrigerator.
- The glass shelves can be adjusted up or down for a proper storage space and easy use.
- Drain tray is used for receiving water when defrosting.
- Please empty the water in the drain tray regularly in case the water overflowing into the cabinet.



Note: Storage of too much food during operation after the initial connection to power may adversely affect the freezing effect of the refrigerator. Foods stored shall not block the air outlet; or otherwise the freezing effect will also be adversely affected.

Functions



B Product usage



The picture above is only for reference. The actual configuration will depend on the physical product or statement by the distributor.



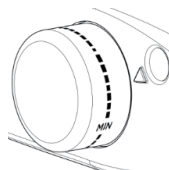
The picture above is only for reference. The actual configuration will depend on the physical product or statement by the distributor.

- Turn the temperature control knob to MAX, the internal temperature of the refrigerator becomes lower.
- Turn the temperature control knob to MIN, the internal temperature of the refrigerator becomes higher.
- The letter on the knob only represents the level, but does not mean the specific temperature, the «OFF» means stop working.
- Recommended gear: "MED"

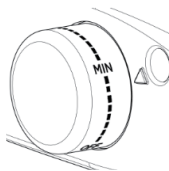


NOTE: Please adjusting and using between "MAX" and "MIN".

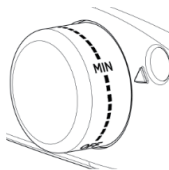
Thermostat setting for ambient T°C : NORMAL +24°C (± 4°C)



Thermostat setting for ambient T°C : COLD +16°C (± 4°C)



Thermostat setting for ambient T°C : HOT +32°C (± 4°C)



Maintenance of refrigerator

Cleaning

- Dusts behind the refrigerator and on the ground shall be timely cleaned to improve the cooling effect and energy saving.
- Check the door gasket regularly to make sure there are no debris. Clean the door gasket with a soft cloth dampened with soapy water or diluted detergent.
- The interior of the refrigerator should be cleaned regularly to avoid odor.
- Please turn off the power before cleaning interior, remove all foods, drinks, shelves drawers, etc.
- Use a soft cloth or sponge to clean the inside of the refrigerator, with two tablespoons of baking soda and a quart of warm water. Then rinse with water and wipe clean. After cleaning, open the door and let it dry naturally before turning on the power.
- For areas that are difficult to clean in the refrigerator (such as narrow sandwiches, gaps or corners), it is recommended to wipe them regularly with a soft rag, softbrush, etc. and when necessary, combined with some auxiliary tools (such as thin sticks) to ensure no contaminants or bacterials accumulation in these areas.
- Do not use soap, detergent, scrub powder, spray cleaner, etc., as these may cause odors in the interior of the refrigerator or contaminated food.
- Clean the bottle frame, shelves and drawers with a soft cloth dampened with soapy water or diluted detergent. Dry with a soft cloth or dry naturally.
- Wipe the outer surface of the refrigerator with a soft cloth dampened with soapy water, detergent, etc., and then wipe dry.
- Do not use hard brushes, clean steel balls, wire brushes, abrasives (such as toothpastes), organic solvents (such as alcohol, acetone, banana oil, etc.), boiling water, acid or alkaline items, which may damage the cooler surface and interior. Boiling

water and organic solvents such as benzene may deform or damage plastic parts.

- Do not rinse directly with water or other liquids during cleaning to avoid short circuits or affect electrical insulation after immersion.



WARNING!

- Please unplug the refrigerator for defrost and cleaning.

Defrost

- Power off the refrigerator.
- Remove the food from the refrigerator and place it properly to prevent food from melting.
- Clear the drain pipe (to use soft materials to prevent damage to the liner), prepare the water containers for defrosting. (Pay attention to clean the compressor compartment water draining tray, avoiding overflow to the ground).
- You can use the natural temperature for the natural defrost, you can also use the ice shovel to eliminate the frost (to use plastic or wooden ice shovel, for avoiding damage to the liner or pipe).
- You can also use the appropriate amount of hot water to speed up the defrost, with a dry towel to dry the water after defrosting.
- After defrosting, put back the foods in cabinet, and power on the refrigerator.

Stop using

- Power failure: In case of power failure, even if it is in summer, foods inside the appliance can be kept for several hours; during

the power failure, the times of door opening shall be reduced, and no more fresh food shall be put into the appliance.

- Long-time nonuse: The appliance shall be unplugged and then cleaned; then the doors are left open to prevent odor.
- Moving: Before the refrigerator is moved, take all objects inside out, fix the glass partitions, vegetable holder, freezing chamber drawers and etc. with tape, and tighten the leveling feet; close the doors and seal them with tape. During moving, the appliance shall not be laid upside down or horizontally, or be vibrated; the inclination during movement shall be no more than 45°.



- The appliance shall run continuously once it is started. Generally, the operation of the appliance shall not be interrupted; or otherwise the service life may be impaired.

Troubleshooting

You may try to solve the following simple problems by yourself. If them cannot be solved, please contact the after-sales department.

| Problem | Solution |
|---------------------------------------|---|
| Failed operation | <ul style="list-style-type: none"> • Check whether the appliance is connected to power or whether the plug is in well contact • Check whether the voltage is too low • Check whether there is a power failure or partial circuits have tripped |
| Odor | <ul style="list-style-type: none"> • Odorous foods shall be tightly wrapped • Check whether there is any rotten food • Clean the inside of the refrigerator |
| Long-time operation of the compressor | <ul style="list-style-type: none"> • Long operation of the refrigerator is normal in summer when the ambient temperature is high • It is not suggestible having too much food in the appliance at the same time • Food shall get cool before being put into the appliance • The doors are opened too frequently |

| Problem | Solution |
|---------------------------------|--|
| Light fails to get lit | <ul style="list-style-type: none"> • Check whether the refrigerator is connected to power supply and whether the illuminating light is damaged • Have the light replaced by a specialist |
| Doors cannot be properly closed | <ul style="list-style-type: none"> • The door is stuck by food packages • Too much food is placed • The refrigerator is tilted |
| Loud noise | <ul style="list-style-type: none"> • Check whether the floor is level and whether the refrigerator is placed stably • Check whether accessories are placed at proper locations |
| Door seal fails to be tight | <ul style="list-style-type: none"> • Remove foreign matters on the door seal • Heat the door seal and then cool it for restoration (or blow it with an electrical drier or use a hot towel for heating) |
| Water pan overflows | <ul style="list-style-type: none"> • There is too much food in the chamber or food stored contains too much water, resulting in heavy defrosting • The doors are not closed properly, resulting in frosting due to entry of air and increased water due to defrosting |
| Hot housing | <ul style="list-style-type: none"> • Heat dissipation of the built-in condenser via the housing, which is normal • When housing becomes hot due to high ambient temperature, storage of too much food or shutdown of the compressor is shut down, provide sound ventilation to facilitate heat dissipation |
| Surface condensation | <ul style="list-style-type: none"> • Condensation on the exterior surface and door seals of the refrigerator is normal when the ambient humidity is too high. Just wipe the condensate with a clean towel. |
| Abnormal noise | <ul style="list-style-type: none"> • Buzz: The compressor may produce buzzes during operation, and the buzzes are loud particularly upon start or stop. This is normal. • Creak: Refrigerant flowing inside of the appliance may produce creak, which is normal. |

Table 1 Climate classes

| Class | Symbol | Ambient temperature range |
|--------------------|--------|---------------------------|
| Extended temperate | SN | + 10 to + 32 |
| Temperate | N | + 16 to + 32 |
| Subtropical | ST | + 16 to + 38 |
| Tropical | T | + 16 to + 43 |

Extended temperate: this refrigerating appliance is intended to be used at ambient temperatures ranging from 10 °C to 32 °C;

Temperate: this refrigerating appliance is intended to be used at ambient temperatures ranging from 16 °C to 32 °C;

Subtropical: this refrigerating appliance is intended to be used at ambient temperatures ranging from 16 °C to 38 °C;

Tropical: this refrigerating appliance is intended to be used at ambient temperatures ranging from 16 °C to 43 °C;



Merci !

Merci d'avoir choisi ce produit HIGHONE.
Choisis, testés et recommandés par ELECTRO DEPOT,
les produits de la marque HIGHONE vous assurent
une utilisation simple, une performance fiable et
une qualité irréprochable.
Grâce à cet appareil, vous savez que chaque utilisation
vous apportera satisfaction.

Bienvenue chez ELECTRO DEPOT.

Visitez notre site Internet : www.electrodepot.fr
www.electrodepot.be

VOTRE AVIS COMPTE !



**PARTAGEZ
VOTRE EXPERIENCE
SUR LES PRODUITS**

Parce que votre satisfaction est notre priorité, nous vous proposons
de donner votre avis sur ce produit. Il sera transmis et analysé par
nos équipes afin d'améliorer continuellement le produit.

Donnez votre avis sur <http://www.electrodepot.fr/avis-client>



ELECTRO DEPOT

18

FR

Table des matières

A

Aperçu de l'appareil

Pièces

B

Utilisation de l'appareil

Utilisation correcte des réfrigérateurs
Structure et fonctions

C

Nettoyage et entretien

Entretien du réfrigérateur
Guide de dépannage

Les notices sont aussi disponibles sur le site
<http://www.electrodepot.fr/sav/notices/>
<http://www.electrodepot.be/fr/sav/notices>

A

Aperçu de l'appareil

Pièces

A Petite porte

E Clayette

B Bac d'écoulement

F Bac à légumes

C Lampe

G Balconnet

D Bouton de réglage de la température

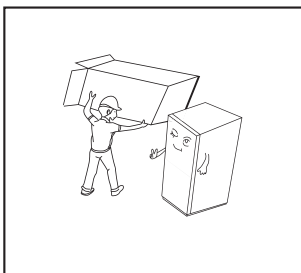


L'image ci-dessus n'est fournie qu'à titre indicatif. La configuration réelle dépendra du produit ou des indications du distributeur.

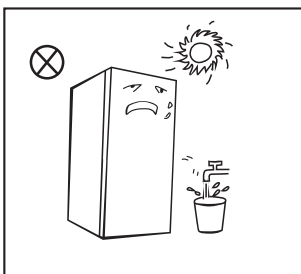
Utilisation correcte des réfrigérateurs

Placement

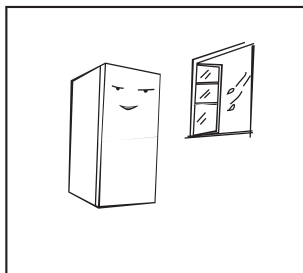
- Avant l'utilisation, retirez tous les matériaux d'emballage, y compris les coussins du bas, les protections en mousse et le ruban adhésif à l'intérieur du réfrigérateur. Déchirez le film protecteur des portes et du corps du réfrigérateur.



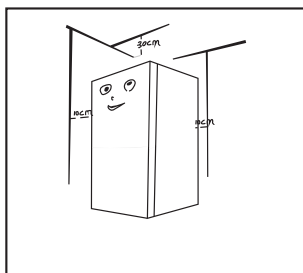
- Gardez l'appareil à distance de la chaleur et évitez la lumière directe du soleil. Ne placez pas le congélateur dans un endroit humide, afin d'éviter la rouille ou une diminution de l'effet isolant.
- N'aspergez pas le réfrigérateur pour le nettoyer et ne placez pas le réfrigérateur dans un endroit humide où il pourrait être aspergé d'eau, car cela pourrait affecter ses propriétés d'isolation électrique.



- Le réfrigérateur doit être placé dans un endroit bien aéré, sur un sol plat et solide (si le réfrigérateur est bancal, faites tourner les pieds de mise à niveau vers la gauche ou la droite).



- L'espace libre au-dessus du réfrigérateur doit être supérieur à 30 cm et le réfrigérateur doit être placé contre un mur en laissant un espace libre de plus de 10 cm pour permettre la dispersion de la chaleur.

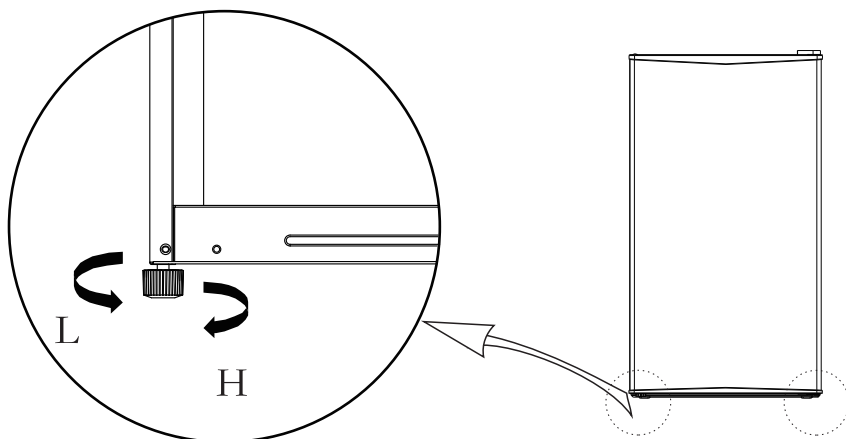


Précautions à prendre avant l'installation :

- Les informations de cette notice d'utilisation ne sont fournies qu'à titre indicatif, car le produit réel peut présenter des différences. Avant d'installer et ajuster des accessoires, vous devez vous assurer que le réfrigérateur est débranché de la source d'alimentation.
- Prenez des précautions pour éviter une chute de la poignée qui entraînerait des blessures.

Pieds de mise à niveau

1. Schéma des pieds de mise à niveau



L'image ci-dessus n'est fournie qu'à titre indicatif. La configuration réelle dépendra du produit ou des indications du distributeur.

2. Méthode d'ajustement :

- Tournez les pieds dans le sens des aiguilles d'une montre pour relever le réfrigérateur ;
- Tournez les pieds dans le sens inverse des aiguilles d'une montre pour abaisser le réfrigérateur ;
- Ajustez les pieds droit et gauche selon la méthode décrite ci-dessus jusqu'à ce que l'appareil soit mis à niveau.

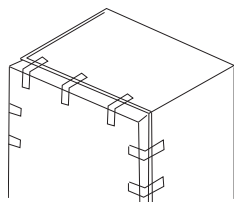
Conversion du sens d'ouverture de la porte (d'une ouverture sur la droite vers une ouverture sur la gauche)**Liste des outils fournis par l'utilisateur**

Tournevis cruciforme

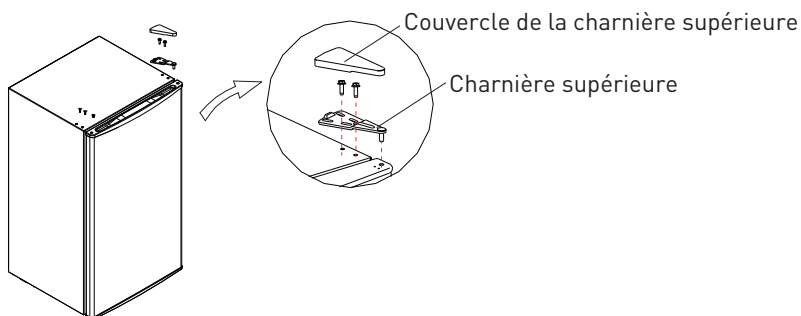
Couteau à mastic,
tournevis fin et platClé à douille de 7,9 mm
(5/16")

Ruban de masquage

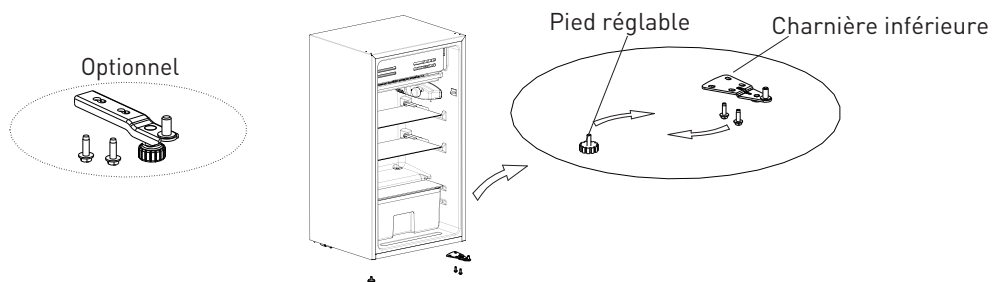
1. Mettez le réfrigérateur hors tension et retirez tous les objets des balconnets de porte.
2. Fixez la porte à l'aide du ruban.



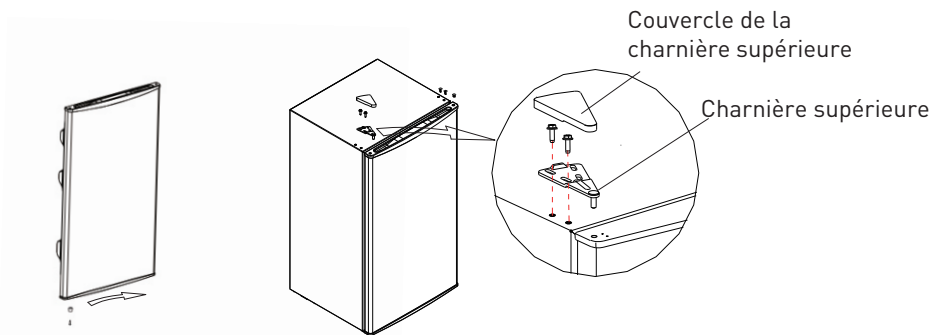
3. Démontez le couvercle de la charnière supérieure, les vis et la charnière supérieure, puis retirez les caches de trous de vis en plastique du côté opposé.



4. Démontez la porte, l'assemblage de la charnière inférieure et le pied réglable, puis montez l'assemblage de la charnière inférieure et le pied réglable sur le côté opposé.



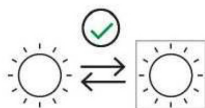
5. Démontez la butée située sous la porte, puis installez-la du côté opposé. Placez la porte sur la charnière inférieure, puis montez dans l'ordre la charnière supérieure, le couvercle de la charnière supérieure et les caches de trous de vis en plastique.



L'image ci-dessus n'est fournie qu'à titre indicatif. La configuration réelle dépendra du produit ou des indications du distributeur.

Changement de la lampe (optionnel)

- Ce produit contient une source lumineuse exemptée de classe d'efficacité énergétique.
- La source lumineuse de ce produit peut être remplacée par l'utilisateur final.
- Veuillez débrancher l'appareil avant toute opération de changement de source lumineuse.
- Il convient de retirer la source lumineuse à la fin de la vie utile du produit, le tri et le recyclage étant effectués séparément.



Remplacement des lampes à incandescence :

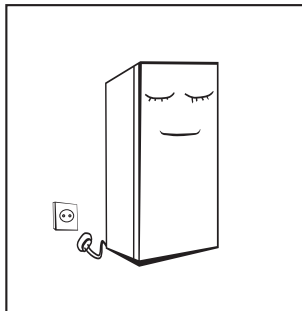
- Débranchez l'appareil de l'alimentation électrique avant de changer une ampoule.
- Tenez le couvercle de l'ampoule et retirez-le.
- Retirez l'ancienne ampoule en la faisant tourner dans le sens inverse des aiguilles d'une montre. Remplacez-la par une nouvelle ampoule (10 W max.) en faisant tourner cette dernière dans le sens des aiguilles d'une montre en vous assurant qu'elle est fermement enclenchée dans le support d'ampoule.
- Remettez le couvercle de l'ampoule en place et branchez à nouveau le réfrigérateur à l'alimentation électrique.



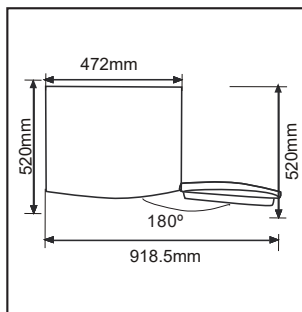
L'image ci-dessus est uniquement fournie à titre indicatif. La configuration réelle dépendra du produit ou des indications du distributeur.

Pour commencer

- Avant d'utiliser le réfrigérateur pour la première fois, gardez-le immobile pendant une demi-heure avant de le brancher à une prise secteur.
- Avant d'y placer des aliments frais ou surgelés, vous devez avoir laissé le réfrigérateur fonctionner pendant 2 à 3 heures, ou plus de 4 heures en été lorsque la température ambiante est élevée.



- Laissez assez d'espace pour pouvoir ouvrir les portes et retirer les bacs et tiroirs sans problème ou respectez l'espace libre nécessaire tel qu'indiqué par le distributeur.

**Conseils pour économiser de l'énergie**

- L'appareil doit se trouver dans la zone la plus froide de la pièce, à distance des appareils générant de la chaleur ou des conduits de chauffage, et hors de la lumière directe du soleil.
- Laissez les aliments chauds refroidir jusqu'à la température ambiante avant de les placer dans l'appareil. Surcharger l'appareil forcera le compresseur à fonctionner plus longtemps. Les aliments qui congèlent trop lentement peuvent perdre en qualité ou se gâter.
- Veillez à emballer correctement les aliments et essuyez les récipients avant de les placer dans l'appareil. Cela permettra de réduire l'accumulation de givre dans l'appareil.
- Les bacs et tiroirs de stockage de l'appareil ne doivent pas être couverts de papier aluminium, de papier ciré ou de serviettes en papier. Ce type de recouvrement perturbe la circulation de l'air froid, ce qui rend l'appareil moins efficace.

- Rangez et étiquetez les aliments pour réduire la durée d'ouverture des portes et les recherches prolongées. Retirez autant d'aliments que possible en même temps et fermez la porte aussi vite que possible.

Structure et fonctions

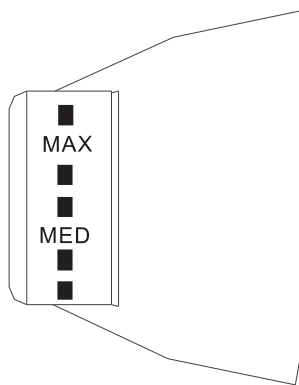
Compartiment de réfrigération

- Le compartiment de réfrigération convient au stockage d'une variété de fruits, légumes, boissons et autres aliments à consommer à court terme. Le délai de conservation recommandé est de 3 à 5 jours. Cela est la méthode de conservation des aliments la plus économique en termes d'énergie.
- Les aliments cuits ne doivent pas être placés dans le compartiment de réfrigération avant d'avoir refroidi jusqu'à atteindre la température ambiante.
- Il est recommandé d'emballer hermétiquement les aliments avant de les placer dans le réfrigérateur.
- Les clayettes en verre peuvent être placées plus haut ou plus bas pour obtenir un espace de stockage adéquat et faciliter leur utilisation.
- Le bac d'écoulement permet de récupérer l'eau lors du dégivrage.
- Videz régulièrement le bac d'écoulement pour éviter que de l'eau ne déborde dans le compartiment.



Remarque : Stocker trop d'aliments dans le réfrigérateur après son branchement initial à l'alimentation peut nuire à son effet de congélation. Les aliments stockés ne doivent pas bloquer la sortie d'air, car cela pourrait également nuire à l'effet de congélation.

Fonctions



B

Utilisation de l'appareil



L'image ci-dessus n'est fournie qu'à titre indicatif. La configuration réelle dépendra du produit ou des indications du distributeur.



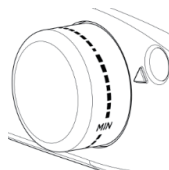
L'image ci-dessus n'est fournie qu'à titre indicatif. La configuration réelle dépendra du produit ou des indications du distributeur.

- Faites tourner le bouton de réglage de la température sur MAX pour faire baisser la température interne du réfrigérateur.
- Faites tourner le bouton de réglage de la température sur MIN pour augmenter la température interne du réfrigérateur.
- Les lettres indiquées sur le bouton ne représentent que le niveau, pas la température spécifique. Le niveau « OFF » signifie que l'appareil est éteint.
- Niveau recommandé : « MED » (Moyen).

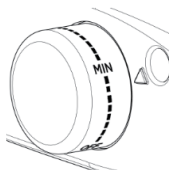


REMARQUE : Veuillez régler la température de fonctionnement entre les niveaux « MAX » et « MIN ».

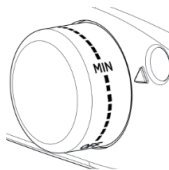
Réglage du thermostat pour la température ambiante T°C :
NORMAL ≈ +24°C (± 4°C)



Réglage du thermostat pour la température ambiante T°C :
FROID ≈ +16°C (± 4°C)



Réglage du thermostat pour la température ambiante T°C :
HOT ≈ +32°C (± 4°C)



Entretien du réfrigérateur

Nettoyage

- La poussière se trouvant derrière le réfrigérateur et au sol doit être nettoyée régulièrement pour améliorer les performances et économiser de l'énergie.
- Vérifiez régulièrement le joint de porte pour vous assurer qu'il n'y a pas de débris. Nettoyez le joint de porte à l'aide d'un chiffon doux humidifié avec de l'eau savonneuse ou du détergent dilué.
- L'intérieur du réfrigérateur doit être nettoyé régulièrement pour éviter les odeurs.
- Avant de nettoyer l'intérieur du réfrigérateur, veuillez mettre l'appareil hors tension et retirer tous les aliments, boissons, clayettes, bacs, tiroirs, etc.
- Utilisez un chiffon doux ou une éponge et une solution composée de deux cuillères à soupe de bicarbonate de soude et d'un litre d'eau chaude pour nettoyer l'intérieur du réfrigérateur. Rincez ensuite à l'eau et essuyez. Après le nettoyage, ouvrez la porte et laissez sécher à l'air libre avant de remettre l'appareil sous tension.
- Nous vous recommandons d'essuyer régulièrement les zones difficiles à nettoyer à l'intérieur du réfrigérateur (les endroits, espaces ou recoins étroits) avec un chiffon doux, une brosse douce, etc. et, lorsque cela est nécessaire, avec d'autres outils auxiliaires (comme des bâtonnets fins) pour vous assurer qu'il n'y a pas de dépôts de produits polluants ou de bactéries dans ces endroits.
- N'utilisez pas de savon, détergent, poudre abrasive, produit nettoyant en aérosol, etc. car ces produits pourraient entraîner des odeurs à l'intérieur du réfrigérateur ou contaminer les aliments.
- Nettoyez le porte-bouteilles, les clayettes, les bacs et les tiroirs à l'aide d'un chiffon doux humidifié avec de l'eau savonneuse ou du détergent dilué. Essuyez-les avec un chiffon doux ou laissez-les sécher à l'air libre.

- Essuyez la surface extérieure du réfrigérateur avec un chiffon doux humidifié avec de l'eau savonneuse, du détergent, etc., puis séchez-la en l'essuyant avec un chiffon sec.
- N'utilisez pas de brosse dure, de laine d'acier, de brosse métallique, de produit abrasif (comme du dentifrice), de solvant organique (comme de l'alcool, de l'acétone, de l'huile de banane, etc.), d'eau bouillante ou de produit acide ou alcalin, car ils pourraient endommager la surface réfrigérante et l'intérieur du réfrigérateur. L'eau bouillante et les solvants organiques tels que le benzène pourraient déformer ou endommager les parties en plastique.
- Ne rincez pas directement l'appareil avec de l'eau ou d'autres liquides pendant le nettoyage, pour éviter un court-circuit ou nuire à l'isolation électrique en cas d'immersion.



AVERTISSEMENT !

- Veuillez débrancher le réfrigérateur pour le dégivrage et le nettoyage.

Dégivrage

- Mettez le réfrigérateur hors tension.
- Retirez tous les aliments du réfrigérateur et placez-les dans un lieu adéquat pour éviter qu'ils ne se réchauffent.
- Videz le tuyau d'évacuation (utilisez des matériaux souples pour éviter d'endommager son revêtement) et préparez des récipients pour récupérer l'eau de dégivrage. (Veillez à bien nettoyer le bac d'écoulement du compartiment du compresseur afin d'éviter que de l'eau ne coule au sol.)

- Vous pouvez effectuer un dégivrage naturel à température ambiante et vous pouvez aussi utiliser un grattoir pour retirer le givre (choisissez un grattoir en plastique ou en bois pour éviter d'endommager le revêtement ou le tuyau).
- Vous pouvez également utiliser une quantité adéquate d'eau chaude pour accélérer le dégivrage. Dans ce cas, essuyez l'eau à l'aide d'une serviette sèche après le dégivrage.
- Une fois le dégivrage terminé, remettez les aliments en place dans le réfrigérateur et remettez le réfrigérateur en marche.

Arrêt de l'appareil

- Panne de courant : En cas de panne de courant, l'appareil peut préserver les aliments qui y sont stockés pendant plusieurs heures, même en été ; pendant une panne de courant, la fréquence d'ouverture de la porte doit être réduite et il ne faut pas mettre d'autres aliments frais dans le réfrigérateur.
- Inutilisation prolongée : L'appareil doit être débranché, puis nettoyé, et les portes doivent être laissées ouvertes pour éviter la formation d'odeurs.
- Transport : Avant de déplacer le réfrigérateur, retirez tous les aliments à l'intérieur, fixez les clayettes en verre, les bacs à légumes, les tiroirs du compartiment de congélation, etc. à l'aide de ruban adhésif, serrez les pieds de mise à niveau, fermez les portes et bloquez-les avec du ruban adhésif. Lors du transport, l'appareil ne doit pas être placé à l'envers, placé à l'horizontale ou secoué ; le degré d'inclinaison pendant le transport ne doit pas dépasser les 45°.



- L'appareil doit fonctionner en continu une fois qu'il a démarré. En règle générale, le fonctionnement de l'appareil ne doit pas être interrompu, car cela pourrait nuire à sa durée de vie.

Guide de dépannage

Vous pouvez essayer de résoudre les problèmes simples suivants par vous-même. S'ils ne peuvent pas être réglés, veuillez contacter le service après-vente.

| Problème | Solution |
|--|--|
| L'appareil ne fonctionne pas | <ul style="list-style-type: none"> • Vérifiez que l'appareil est branché à la source d'alimentation et que la fiche est bien insérée. • Vérifiez si la tension est trop basse. • Vérifiez s'il y a une panne de courant ou si certains circuits ont sauté. |
| Odeur | <ul style="list-style-type: none"> • Les aliments odorants doivent être bien emballés. • Vérifiez si des aliments sont gâtés. • Nettoyez l'intérieur du réfrigérateur. |
| Le compresseur fonctionne pendant une longue période | <ul style="list-style-type: none"> • Il est normal que le compresseur du réfrigérateur fonctionne plus longtemps en été, lorsque la température ambiante est plus élevée. • Il est préférable de ne pas stocker trop d'aliments dans l'appareil en même temps. • Les aliments doivent avoir refroidi avant d'être placés dans l'appareil. • Les portes sont ouvertes trop fréquemment. |
| La lampe ne s'allume pas | <ul style="list-style-type: none"> • Vérifiez si le réfrigérateur est branché à la source d'alimentation et si la lampe est endommagée. • Faites remplacer la lampe par un spécialiste. |
| Les portes ne se ferment pas correctement. | <ul style="list-style-type: none"> • Des emballages d'aliments bloquent la porte. • Il y a trop d'aliments dans le réfrigérateur. • Le réfrigérateur est penché. |
| L'appareil émet des bruits forts. | <ul style="list-style-type: none"> • Vérifiez si le sol est plat et si le réfrigérateur est placé de façon stable. • Vérifiez si les accessoires sont installés au bon endroit. |
| Le joint de porte ne touche pas la surface. | <ul style="list-style-type: none"> • Retirez les corps étrangers se trouvant sur le joint de porte. • Chauffez le joint de porte et laissez-le refroidir pour le restaurer (ou utilisez un sèche-cheveux électrique ou une serviette chaude pour le chauffer). |
| Le bac à eau déborde | <ul style="list-style-type: none"> • Il y a trop d'aliments dans le compartiment ou les aliments stockés contiennent trop d'eau, ce qui entraîne un dégivrage plus intense. • Les portes ne sont pas fermées correctement, ce qui entraîne un givrage dû à l'air entrant et un écoulement d'eau plus important généré par le dégivrage. |

| Problème | Solution |
|-------------------------|--|
| Surface chaude | <ul style="list-style-type: none"> • La dispersion de chaleur générée par le condensateur sur la surface est un phénomène normal. • Lorsque la surface devient chaude en raison d'une température ambiante élevée, d'une quantité d'aliments stockés trop importante ou d'un arrêt du compresseur, assurez-vous de fournir assez de ventilation pour faciliter la dispersion de chaleur. |
| Condensation de surface | <ul style="list-style-type: none"> • Il est normal d'observer de la condensation sur la surface extérieure et les joints de porte du réfrigérateur lorsque le taux d'humidité ambiante est trop élevé. Essayez simplement la condensation à l'aide d'une serviette propre. |
| Bruit anormal | <ul style="list-style-type: none"> • Bourdonnement : Le compresseur peut émettre un bourdonnement lorsqu'il fonctionne. Ce bourdonnement peut être fort, notamment au démarrage ou à l'arrêt du compresseur. Cela est normal. • Craquement : La circulation du réfrigérant à l'intérieur de l'appareil peut entraîner un bruit de craquement. Cela est normal. |

Tableau 1 Classe climatique

| Classe | Symbole | Plage de températures ambiantes |
|------------------|---------|---------------------------------|
| Tempérée élargie | SN | + 10 à + 32 |
| Tempérée | N | + 16 à + 32 |
| Semi-tropicale | ST | + 16 à + 38 |
| Tropicale | T | + 16 à + 43 |

Classe tempérée élargie : cet appareil réfrigérant est conçu pour une utilisation à une température ambiante comprise entre 10 °C et 32 °C ;

Classe tempérée : cet appareil réfrigérant est conçu pour une utilisation à une température ambiante comprise entre 16 °C et 32 °C ;

Classe subtropicale : cet appareil réfrigérant est conçu pour une utilisation à une température ambiante comprise entre 16 °C et 38 °C ;

Classe tropicale : cet appareil réfrigérant est conçu pour une utilisation à une température ambiante comprise entre 16 °C et 43 °C.

Bedankt!

Proficiat met uw keuze voor een product van HIGHONE. De selectie en de testen van de toestellen van HIGHONE gebeuren volledig onder controle en supervisie van ELECTRO DEPOT. We staan garant voor de kwaliteit van de toestellen van HIGHONE, die uitmunten in hun eenvoudig gebruik, hun betrouwbare werking en hun onberispelijke kwaliteit.

ELECTRO DEPOT beveelt de HIGHONE toestellen aan en is ervan overtuigd dat u uiterst tevreden zal zijn bij elk gebruik van het toestel. Welkom bij ELECTRO DEPOT.

Bezoek onze website: www.electrodepot.be



ELECTRO DEPOT

A

**Overzicht van het
toestel**

Onderdelen

B

**Gebruik van het
toestel**

Juist gebruik van de koelkast
Structuur en functies

C

**Reiniging en
onderhoud**

Onderhoud van de koelkast
Probleemoplossing

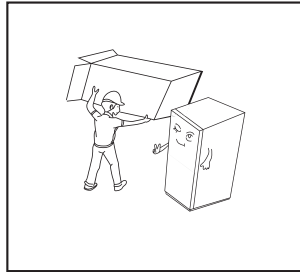
Onderdelen**A** Kleine deur**E** Legplank**B** Lekbak**F** Fruit- en groentelade**C** Lamp**G** Deurlade**D** Temperatuurregelaar

De bovenstaande afbeelding dient alleen ter referentie. De werkelijke opstelling is afhankelijk van het fysieke product of zoals aangegeven door de verdeler.

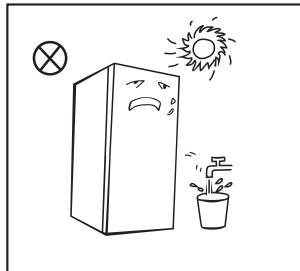
Juist gebruik van de koelkast

Plaatsing

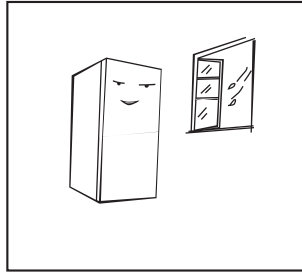
- Verwijder vóór gebruik verwijder alle verpakkingsmateriaal, waaronder de kussens aan de onderkant en de schuimpads en kleefband binnenin de koelkast. Verwijder tevens de beschermfolie op de deuren en de buitenkant.



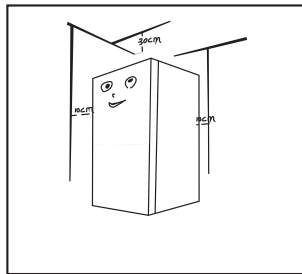
- Houd het apparaat uit de buurt van een warmtebron of direct zonlicht. Plaats de koelkast niet in een vochtige of natte omgeving om roestvorming en aantasting van het isolatievermogen te vermijden.
- Besproei of was de koelkast niet en installeer de koelkast niet in een vochtige omgeving waar het eenvoudig met water bespat kan worden om de elektrische isolatie-eigenschappen van de koelkast niet aan te tasten.



- Installeer de koelkast in een goed geventileerde binnenruimte; de ondergrond moet vlak en stevig zijn (draai naar links of rechts om de stelwielletjes te regelen wanneer het toestel niet stabiel staat).



- De ruimte boven de koelkast moet groter zijn dan 30 cm en de koelkast moet tegen een muur worden geplaatst met een vrije ruimte van minstens 10 cm om de warmteafvoer te vergemakkelijken.

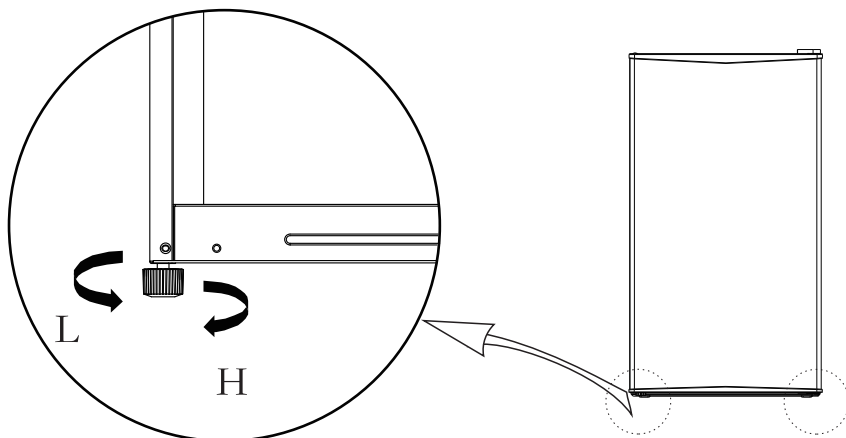


Voorzorgsmaatregelen voorafgaand aan de installatie:

- De informatie in de gebruiksaanwijzing is alleen ter referentie. Het fysieke product kan afwijken. Voordat het toestel wordt geïnstalleerd en de accessoires worden aangepast, zorg ervoor dat de stekker van de koelkast uit het stopcontact is gehaald.
- Neem de nodige voorzorgsmaatregelen om het loskomen van de handgreep en het risico op persoonlijk letsel te voorkomen.

Stelvoetje

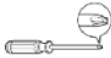



1. Schematische weergave van de stelvoetjes



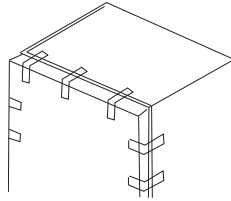
De bovenstaande afbeelding dient alleen ter referentie. De werkelijke opstelling is afhankelijk van het fysieke product of zoals aangegeven door de verdeler.

2. De stelvoetjes afstellen:
 - a. Draai de voetjes met de klok mee om de koelkast te verhogen;
 - b. Draai de voetjes tegen de klok in om de koelkast te verlagen;
 - c. Stel het rechter en linker voetje af op basis van bovenstaande procedure totdat het toestel waterpas staat.

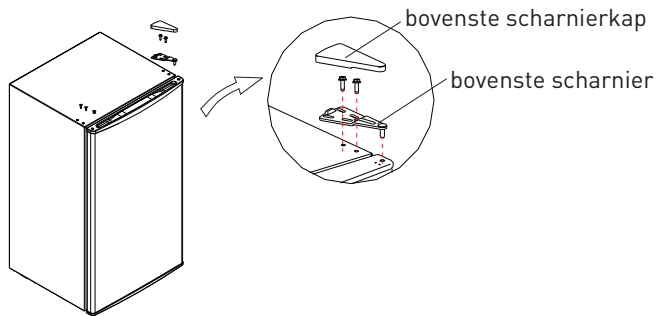
Deur van rechts naar links verwisselen**Lijst met gereedschap door de gebruiker te voorzien**

| | | | |
|---|--------------------------|---|---|
|  | Kruiskopschroevendraaier |  | Plamuurmes en smalle sleufkopschroevendraaier |
|  | 5/16" dopsleutel |  | Afplakband |

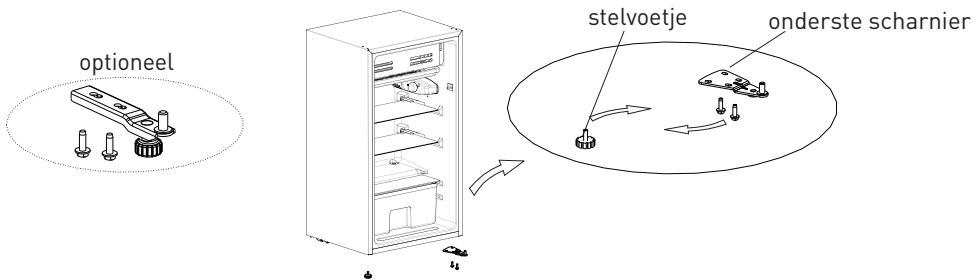
1. Schakel de koelkast uit en haal alle voorwerpen uit de deurvakken.
2. Zet de deur vast met plakband.



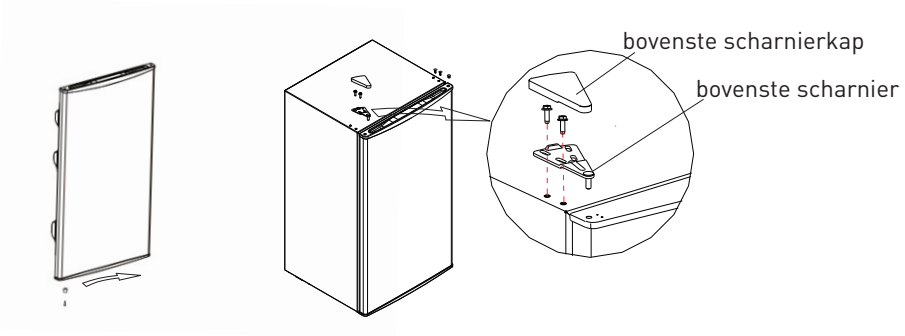
3. Maak de bovenste scharnierkap, de schroeven en het bovenste scharnier los en verwijder de kunststof schroefgatdoppen aan de andere kant



4. Maak de deur, het onderste scharnier en het stelvoetje los en maak vervolgens het onderste scharnier en het stelvoetje vast aan de andere kant.



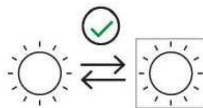
5. Maak de stop onder de deur los en maak de stop vervolgens vast aan de andere kant. Breng de deur op het onderste scharnier aan en maak achtereenvolgens het bovenste scharnier, de bovenste scharnierkap en de kunststof schroefgatdoppen vast.



De bovenstaande afbeelding dient alleen ter referentie. De werkelijke opstelling is afhankelijk van het fysieke product of zoals aangegeven door de verdeler.

De lamp vervangen (optioneel)

- Dit product bevat een lichtbron die is vrijgesteld van energieefficiëntieklasse.
- De lichtbron in dit product kan door de eindgebruiker worden vervangen.
- Haal de stekker uit het stopcontact voordat u de lichtbron verandert.
- De lichtbron moet aan het einde van de gebruiksduur van het product worden verwijderd, waarbij de sortering en recycling afzonderlijk worden uitgevoerd.



De gloeilamp vervangen:

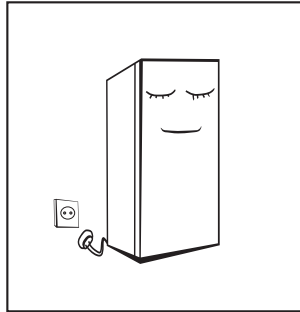
- Haal de stekker uit het stopcontact voordat u de lamp vervangt.
- Houd de lampenkap vast en verwijder deze.
- Draai de oude lamp tegen de klok in los. Vervang de lamp door een nieuwe (max. 10W) door deze met de klok mee vast te draaien en zorg ervoor dat de lamp stevig in de lamphouder zit.
- Breng de lampenkap opnieuw aan en steek de stekker van de koelkast opnieuw in het stopcontact.



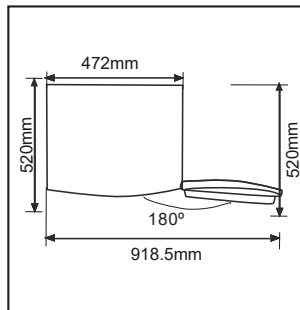
Het bovenstaande dient alleen ter referentie. De werkelijke opstelling is afhankelijk van het fysieke product of zoals aangegeven door de verdeler.

Ingebruikname

- Laat de koelkast voor ingebruikname een half uur staan voordat u de stekker in het stopcontact steekt.
- Laat de koelkast eerst 2 tot 3 uur voorkoelen voordat vers of bevroren toevoegt. De koelkast moet 's zomers langer dan 4 uur voorkoelen, aangezien de omgevingstemperatuur hoog is.



- Zorg voor voldoende vrije ruimte zodat de deuren en laden probleemloos open kunnen of laat voldoende vrije ruimte zoals aangegeven door de verdeler.

**Tips voor energiebesparing**

- Plaats het apparaat in de koudste plaats van de kamer, uit de buurt van warmte producerende apparaten of warmteleidingen, en direct zonlicht.
- Laat warm voedsel eerst tot kamertemperatuur afkoelen alvorens ze in het apparaat te plaatsen. Te veel voedsel in het apparaat plaatsen, zorgt voor een langere werking van de compressor. Voedsel dat te langzaam invriest, kan aan kwaliteit inboeten of bederven.
- Pak het voedsel goed in en veeg de houders droog voordat u het in het apparaat plaatst. Dit zorgt voor minder ijsvorming in het apparaat.
- Bekleed de opslagruimte van het apparaat niet met aluminiumfolie, was- of keukenpapier. De bekleding kan de circulatie van koude lucht hinderen waardoor de koelprestaties afnemen.
- Orden en label voedsel om het openen van de deur zo kort mogelijk te houden. Haal zoveel mogelijk voedsel tegelijkertijd uit en sluit de deur zo snel mogelijk.

Structuur en functies

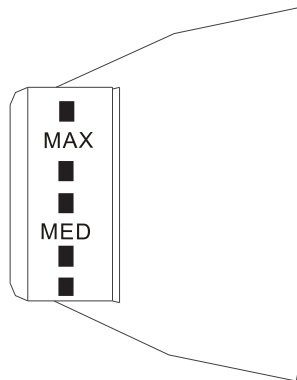
Koelvak

- Het koelvak is geschikt voor het bewaren van veel verschillende soorten fruit, groente, drank en andere levensmiddelen die binnen een korte periode gegeten moeten worden. Aanbevolen bewaartijd is 3 tot 5 dagen. Het is het meest energie-efficiënt om het voedsel op deze plek te bewaren.
- Laat gekookte levensmiddelen eerst tot kamertemperatuur afkoelen voordat u ze in de koelkast plaatst.
- Het is aanbevolen om de levensmiddelen goed in te pakken voordat u ze in de koelkast plaatst.
- De glazen legplanken kunnen omhoog of omlaag worden aangepast voor een juiste bewaarruimte en een eenvoudig gebruik.
- De lekbak wordt gebruikt voor het opvangen van water tijdens het ontdooien.
- Leeg het water in de lekbak regelmatig om het overlopen van water in de koelkast te voorkomen.



Opmerking: Als u na ingebruikname van het apparaat te veel levensmiddelen inbrengt, kan dit een negatieve impact op de koelprestaties van het apparaat hebben. Zorg dat de bewaarde levensmiddelen de luchtuitlaat niet belemmeren om een negatieve impact op de koelprestaties te vermijden.

Functies



De bovenstaande afbeelding dient alleen ter referentie. De werkelijke opstelling is afhankelijk van het fysieke product of zoals aangegeven door de verdeler.

B

Gebruik van het toestel



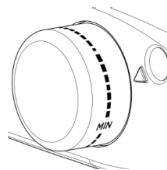
De bovenstaande afbeelding dient alleen ter referentie. De werkelijke opstelling is afhankelijk van het fysieke product of zoals aangegeven door de verdeler.

- Draai de temperatuurregelaar naar MAX en de binnentemperatuur van de koelkast neemt af.
- Draai de temperatuurregelaar naar MIN en de binnentemperatuur van de koelkast neemt toe.
- De letter op de regelaar stelt enkel het niveau voor en niet de specifieke temperatuur. 'Uit' betekent dat het apparaat stopt met werken.
- Aanbevolen stand: 'MED'

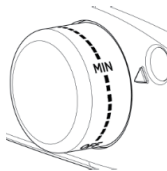


OPMERKING: Pas aan en gebruik tussen 'MAX' en 'MIN'.

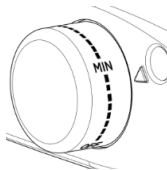
Thermostaatinstelling voor omgevings-T°C :
NORMAAL $\approx +24^{\circ}\text{C}$ ($\pm 4^{\circ}\text{C}$)



Thermostaatinstelling voor omgevingstemperatuur T°C :
KOUD $\approx +16^{\circ}\text{C}$ ($\pm 4^{\circ}\text{C}$)



Thermostaatinstelling voor omgevingstemperatuur T°C :
HOT $\approx +32^{\circ}\text{C}$ ($\pm 4^{\circ}\text{C}$)



Onderhoud van de koelkast

Reiniging

- Verwijder het stof achteraan de koelkast en op de grond tijdig voor betere koelprestaties en lagere energiekosten.
- Controleer de deuropakking regelmatig om er zeker van te zijn dat er geen vuil op zit. Reinig de deuropakking met een zachte doek bevochtigd met zeepwater of een verdund schoonmaakmiddel.
- Maak de binnenkant van de koelkast regelmatig schoon om geurvorming te vermijden.
- Haal de stekker uit het stopcontact voordat u de binnenkant reinigt en verwijder al het voedsel, drank, legplanken, laden, etc.
- Gebruik een zachte doek of spons om de binnenkant van de koelkast schoon te maken, met behulp van twee eetlepels zuiveringszout en één liter warm water. Spoel vervolgens met water en veeg schoon. Open na reiniging de deur en laat de koelkast aan de lucht drogen voordat u de stekker in het stopcontact steekt.
- Voor zones die moeilijk te reinigen zijn binnenin de koelkast (zoals nauwe ruimtes, openingen of hoeken) raden wij aan deze regelmatig schoon te vegen met een zachte doek, zachte borstel, etc. en indien nodig met bepaalde hulpmiddelen (zoals een dun stokje) om ervoor te zorgen dat er zich geen vuil of bacteriën in deze zones ophopen.
- Gebruik geen zeep, reinigingsmiddel, schuurpoeder, reinigingspray, etc., deze kunnen geuren in de koelkast achterlaten of het voedsel verontreinigen.
- Reinig de deurvakken, de legplanken en de laden met een zachte doek die is bevochtigd met zeepwater of een verdund schoonmaakmiddel. Veeg droog met een zachte doek of laat aan de lucht drogen.
- Veeg de buitenkant van de koelkast schoon met een zachte doek die is bevochtigd met zeepwater, afwasmiddel, etc. en veeg vervolgens droog.

- Gebruik geen harde borstels, schuursponsjes, staalborstels, schuurmiddelen (zoals tandpasta), organische oplosmiddelen (zoals alcohol, aceton, bananenolie, etc.), kokend water, zure of alkalische middelen, die de buiten- en buitenkant van de koelkast kunnen beschadigen. Kokend water en organische oplosmiddelen, zoals benzeen, kunnen de plastic onderdelen vervormen of beschadigen.
- Spoel niet direct met water of een andere vloeistof tijdens het reinigen om kortsluiting te voorkomen of de elektrische isolatie na onderdompeling niet aan te tasten.



WAARSCHUWING!

- Haal de stekker uit het stopcontact voordat de koelkast wordt ontdooid of gereinigd.

Ontdooien

- Haal de stekker van de koelkast uit het stopcontact.
- Haal het voedsel uit de koelkast en bewaar het op een juiste manier om het ontdooien van het voedsel te voorkomen.
- Verwijder eventuele verstoppingen in de afvoerleiding (gebruik een zacht materiaal om de voering niet te beschadigen) en zet opvangbakken klaar om het ontdooiwater op te vangen. (Let erop dat u de wateropvangbak in het compressorvak reinigt om het overlopen van water te voorkomen).
- U kunt de koelkast met behulp van de temperatuur in de ruimte ontdooien, maar u kunt tevens een ijschep gebruiken om het ijs te verwijderen (gebruik een plastic of houten ijschep om de voering of leiding niet te beschadigen).

- U kunt tevens een gepaste hoeveelheid warm water gebruiken om het ontdooien te versnellen. Veeg de koelkast na het ontdooien vervolgens droog met een droge doek.
- Plaats het voedsel na het ontdooien terug in de koelkast en schakel de koelkast in.

De werking stoppen

- Stroomuitval: In geval van stroomuitval, zelfs wanneer het zomer is, kan het voedsel nog enkele uren in het apparaat worden bewaard. Open de deur tijdens de stroomuitval zo kort mogelijk en voeg geen vers voedsel aan het apparaat toe.
- Lange periode van niet gebruik: Haal de stekker uit het stopcontact en maak het apparaat schoon. Houd de deuren vervolgens open om geurvorming te vermijden.
- Verplaatsing: Voordat de koelkast wordt verplaatst, haal de inhoud eruit, zet de glazen legplanken, de groentelade en de opbergladen van het vriesvak, etc. vast met kleefband, draai de stelvoetjes vast, en sluit de deuren en zet ze vast met kleefband. Leg het apparaat tijdens het verplaatsen niet ondersteboven of horizontaal en stel het niet bloot aan trillingen. Het apparaat mag tevens niet meer dan 45° overhellen.



- Het apparaat moet continu in werking zijn wanneer ingeschakeld. In het algemeen mag de werking van het apparaat niet worden onderbroken, dit kan de levensduur verkorten.

Probleemoplossing

U kunt de volgende problemen eenvoudig zelf oplossen. Als het probleem niet opgelost raakt, neem dan contact op met de klantenservice.

| Probleem | Oplossing |
|--------------------------------------|---|
| Het apparaat werkt niet | <ul style="list-style-type: none"> • Controleer of het apparaat op de voeding is aangesloten en of de stekker goed contact maakt • Controleer of de spanning te laag is • Controleer of er een stroomonderbreking is of dat er gedeeltelijke circuits zijn uitgevallen |
| Geur | <ul style="list-style-type: none"> • Voedsel met een sterke geur moet goed worden ingepakt • Controleer of er geen bedorven voedsel aanwezig is • Maak de binnenkant van de koelkast schoon |
| Lange tijd werking van de compressor | <ul style="list-style-type: none"> • Een langdurige werking van de koelkast is normaal tijdens de zomer wanneer de omgevingstemperatuur hoog is. • Het is niet aan te raden om overmatig veel voedsel tegelijkertijd in het apparaat te hebben. • Koel het voedsel af voordat het in het apparaat wordt geplaatst. • De deuren worden te vaak geopend |
| Het licht brandt niet | <ul style="list-style-type: none"> • Controleer of stekker van de koelkast in het stopcontact zit en of het controlelampje niet beschadigd is. • Laat de lamp vervangen door een specialist |
| Deuren kunnen niet goed dicht zijn | <ul style="list-style-type: none"> • De deur zit vast door voedselverpakkingen • Er wordt te veel voedsel in het apparaat geplaatst • De koelkast is gekanteld |
| Luid geluid | <ul style="list-style-type: none"> • Controleer of de vloer vlak is en of de koelkast stabiel staat. • Controleer of de accessoires op de juiste plaats zitten |
| De deurafdichting dicht niet goed af | <ul style="list-style-type: none"> • Verwijder ongewenste materialen op de deurafdichting • Verwarm de deurafdichting en koel deze vervolgens af om te herstellen (of blaas met een elektrische haardroger of gebruik een hete handdoek gebruiken om te verwarmen). |
| Waterbak loopt over | <ul style="list-style-type: none"> • Er is te veel voedsel in het vak of het bewaarde voedsel bevat te veel water, dit resulteert in een hevige ontdooiing. • De deuren zijn niet goed dicht, wat leidt tot ijsvorming door het indringen van lucht en meer water door het ontdooien. |

| Probleem | Oplossing |
|------------------------|--|
| Warme behuizing | <ul style="list-style-type: none"> • Warmteafvoer van de ingebouwde condensor via de behuizing, dit is normaal • Wanneer de behuizing heet wordt door een hoge omgevingstemperatuur, bewaring van te veel voedsel of uitschakeling van de compressor, zorg dan voor een goede ventilatie om de warmteafvoer te vergemakkelijken. |
| Oppervlaktecondensatie | <ul style="list-style-type: none"> • Condensatie op het buitenoppervlak en de deurafdichtingen van de koelkast is normaal wanneer de omgevingsvochtigheid te hoog is. Veeg het condensaat gewoon af met een schone doek. |
| Abnormaal geluid | <ul style="list-style-type: none"> • Gezoem: De compressor kan tijdens de werking zoemen, en het gezoem is luid, vooral bij het starten of stoppen. Dit is normaal. • Gekraak: Koudemiddel dat binnenin het apparaat stroomt, kan gekraak veroorzaken, dit is normaal. |

Tabel 1 Klimaatklassen

| Klasse | Symbol | Omgevingstemperatuurbereik |
|----------------------|--------|----------------------------|
| Uitgebreide gematigd | SN | + 10 tot + 32 |
| Gematigd | N | + 16 tot + 32 |
| Subtropisch | ST | + 16 tot + 38 |
| Tropisch | T | + 16 tot + 43 |

Uitgebreid gematigd: dit koelapparaat is bedoeld voor gebruik bij een omgevingstemperatuur tussen 10 °C en 32 °C;

Gematigd: dit koelapparaat is bedoeld voor gebruik bij een omgevingstemperatuur tussen 16 °C en 32 °C;

Subtropisch: dit koelapparaat is bedoeld voor gebruik bij een omgevingstemperatuur tussen 16 °C en 38 °C;

Tropisch: dit koelapparaat is bedoeld voor gebruik bij een omgevingstemperatuur tussen 16 °C en 43 °C;

¡Muchas gracias!

Muchas gracias por haber elegido nuestro producto HIGHONE. Seleccionados, testados y recomendados por ELECTRO DEPOT, los productos de la marca HIGHONE le aseguran una utilización sencilla, un rendimiento fiable y una calidad incuestionable.

Con este dispositivo puede estar seguro de que siempre quedará satisfecho al utilizarlo. Le damos la bienvenida a ELECTRO DEPOT.

Visite nuestra página web: www.electrodepot.es



50

ES

A

**Descripción del
aparato**

Partes

B

**Utilización del
aparato**

Uso correcto del frigorífico
Estructura y funciones

C

**Limpieza y
mantenimiento**

Mantenimiento del frigorífico
Solución de problemas

A

Descripción del aparato

Partes

A Puerta pequeña

E Estante

B Bandeja de desagüe

F Cajón para frutas y verduras

C Lámpara

G Estante de puerta

D Mando de control de la temperatura

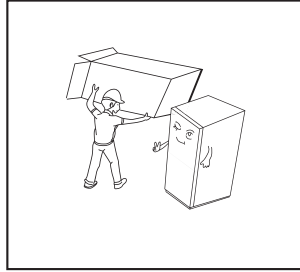


La imagen anterior se proporciona solamente como referencia. La configuración real dependerá del producto físico o de la declaración del distribuidor.

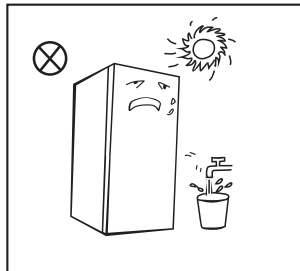
Uso correcto del frigorífico

Colocación

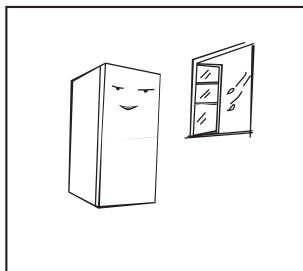
- Antes de su uso, retire todos los materiales de embalaje, incluyendo las almohadillas inferiores, las almohadillas de espuma y las cintas adhesivas del interior del frigorífico; y despegue la película protectora de las puertas y del cuerpo del frigorífico.



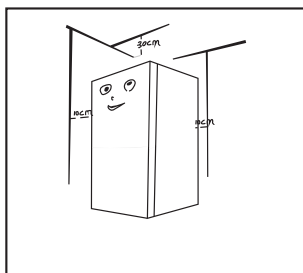
- Manténgalo alejado del calor y evite exponerlo a la luz solar directa. No coloque el congelador en lugares húmedos o mojados para evitar la oxidación o la reducción del efecto aislante.
- No rocíe ni lave el frigorífico, no coloque el frigorífico en lugares húmedos donde sea fácil que salpique agua para no afectar a las propiedades de aislamiento eléctrico del frigorífico.



- El frigorífico debe colocarse en un lugar interior bien ventilado, el suelo debe ser plano y resistente (gire a la izquierda o a la derecha para ajustar la rueda de nivelación en caso de inestabilidad).



- El espacio en la parte superior del frigorífico deberá ser superior a 30 cm y el frigorífico deberá colocarse contra una pared con una distancia superior a 10 cm para facilitar la disipación del calor.

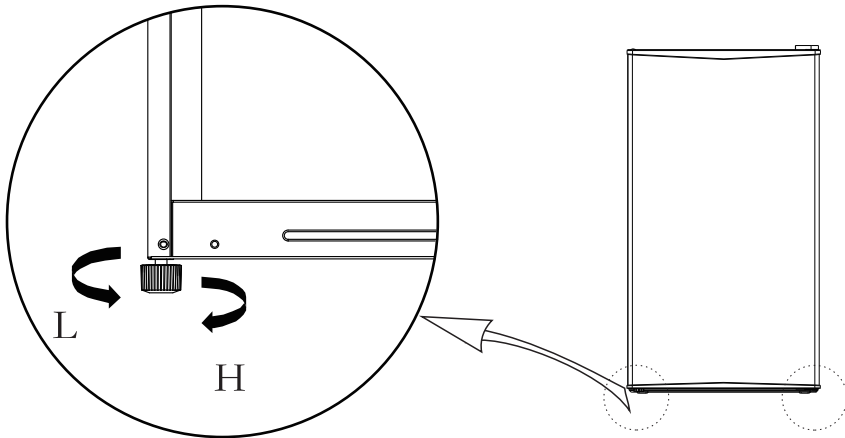


Precauciones antes de la instalación:

- La información incluida en el Manual de instrucciones se proporciona solamente como referencia. El producto físico puede diferir. Antes de instalar y ajustar los accesorios, asegúrese de que el frigorífico está desconectado de la corriente eléctrica.
- Deberán tomarse precauciones para evitar que la caída del asa provoque daños personales.

Patas niveladoras

1. Diagrama esquemático de las patas niveladoras



La imagen anterior se proporciona solamente como referencia. La configuración real dependerá del producto físico o de la declaración del distribuidor.

2. Procedimientos de ajuste:
 - a. Gire las patas en el sentido de las agujas del reloj para elevar el refrigerífico;
 - b. Gire las patas en el sentido contrario a las agujas del reloj para bajar el refrigerífico;
 - c. Ajuste las patas derecha e izquierda según los procedimientos anteriores a un nivel horizontal.

Cambio puerta derecha-izquierda**Lista de herramientas que debe proporcionar el usuario**

Destornillador cruzado



Espátula destornillador de punta fina

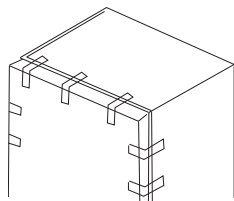


Llave de vaso de 5/16"

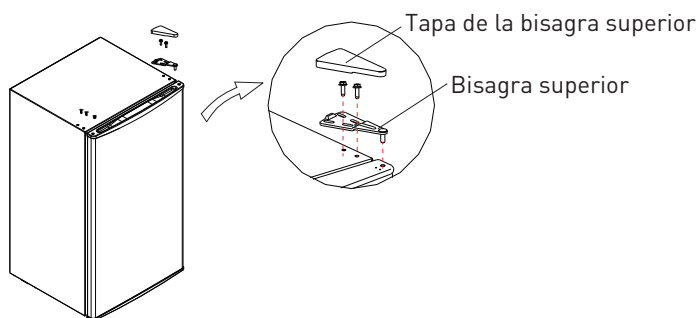


Cinta adhesiva

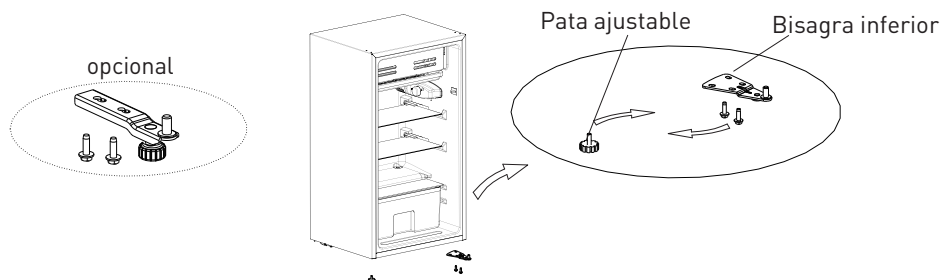
1. Apague el refrigerífico y retire todos los objetos de las bandejas de la puerta.
2. Fije la puerta con cinta adhesiva.



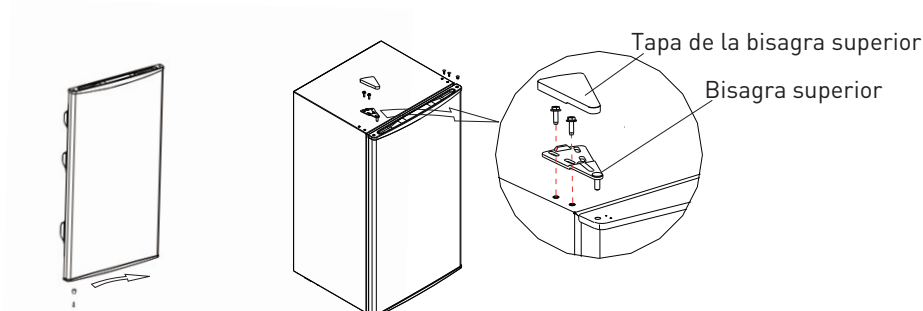
3. Desmonte la tapa de la bisagra superior, los tornillos y la bisagra superior, y retire las tapas de plástico del agujero del tornillo del otro lado



4. Desmonte la puerta y el conjunto de la bisagra inferior y la pata ajustable, después monte el conjunto de la bisagra inferior y la pata ajustable en el otro lado.



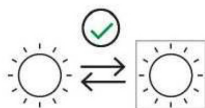
- Desmonte la tapa de debajo de la puerta y luego ponga la tapa en el otro lado. Ponga la puerta en la bisagra inferior y monte la bisagra superior, la tapa de la bisagra superior y las tapas de plástico del tornillo sucesivamente.



La imagen anterior se proporciona solamente como referencia. La configuración real dependerá del producto físico o de la declaración del distribuidor.

Cambio de la luz (opcional)

- Este producto contiene una fuente luminosa exenta de la clase de eficiencia energética.
- La fuente de luz de este producto puede ser reemplazada por el usuario final.
- Desenchufe el aparato antes de cualquier operación de cambio de fuente de luz.
- La fuente de luz debe retirarse al final de la vida útil del producto, y la clasificación y el reciclaje se deben realizar por separado.



Sustitución de las bombillas incandescentes:

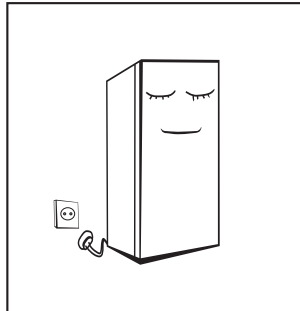
- Desconecte la corriente eléctrica antes de cambiar la bombilla.
- Sujete y quite la tapa de la bombilla.
- Retire la bombilla antigua desenroscándola en el sentido contrario a las agujas del reloj. Sustitúyala por una bombilla nueva (máx. 10 W) enroscándola en el sentido de las agujas del reloj, y asegúrese de que quede firmemente fijada en el soporte de la bombilla.
- Vuelva a montar la tapa de la bombilla y conecte de nuevo el frigorífico a la corriente eléctrica.



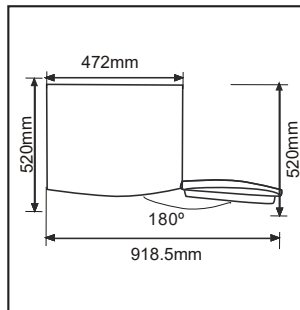
La imagen anterior se proporciona solamente como referencia. La configuración real dependerá del producto físico o de la declaración del distribuidor.

Empezar a usar

- Antes de ponerlo en funcionamiento por primera vez, mantenga el frigorífico inmóvil durante dos horas antes de conectarlo a la toma de corriente.
- Antes de introducir cualquier alimento fresco o congelado, el frigorífico deberá haber estado funcionando durante 2-3 horas o durante más de 4 horas en verano cuando la temperatura ambiente es alta.



- Deje espacio suficiente para poder abrir cómodamente las puertas y los cajones o el espacio indicado por el distribuidor.

**Consejos para ahorrar energía**

- El aparato deberá colocarse en la zona más fresca de la habitación, lejos de aparatos que produzcan calor o conductos de calefacción, y alejado de la luz solar directa.
- Deje que los alimentos calientes se enfríen a temperatura ambiente antes de introducirlos en el aparato. Si sobrecarga el aparato, obligará al compresor a funcionar durante más tiempo. Los alimentos que se congelan demasiado despacio pueden perder calidad o estropearse.
- Asegúrese de envolver bien los alimentos y de secar los recipientes antes de introducirlos en el aparato. Eso reducirá la formación de hielo en el interior del aparato.
- Los cajones de almacenamiento del aparato no deberán forrarse con papel de aluminio, papel encerado ni papel absorbente. Los revestimientos interfieren en la circulación del aire frío, haciendo que el aparato sea menos eficiente.

- Organice y etiquete los alimentos para abrir menos la puerta y evitar buscarlos durante demasiado tiempo. Saque todos los elementos que necesite de una vez y cierre la puerta lo antes posible.

Estructura y funciones

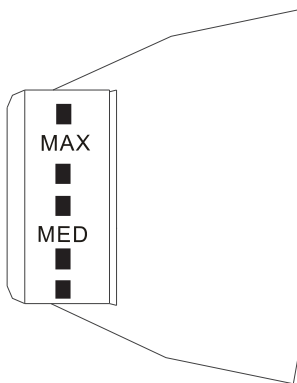
Cámara de refrigeración

- La cámara frigorífica es adecuada para almacenar varias frutas, verduras, bebidas y otros alimentos que se consumirán a corto plazo. El tiempo de almacenamiento recomendado es de 3 a 5 días. Es el más eficiente energéticamente para colocar los alimentos en su posición.
- Los alimentos cocinados no deberán introducirse en la cámara frigorífica hasta que se hayan enfriado a temperatura ambiente.
- Se recomienda envasar herméticamente los alimentos antes de meterlos en el frigorífico.
- Los estantes de cristal pueden ajustarse hacia arriba o hacia abajo para disponer de un espacio de almacenamiento adecuado y facilitar su uso.
- La bandeja de desagüe se utiliza para recoger el agua cuando se descongela.
- Vacíe el agua de la bandeja de desagüe regularmente en el caso de que el agua se desborde del frigorífico.



Nota: Almacenar demasiados alimentos durante el funcionamiento tras la conexión inicial a la corriente eléctrica puede afectar negativamente al efecto de congelación del frigorífico. Los alimentos almacenados no deberán bloquear la salida de aire; ya que, de lo contrario, el efecto de congelación también se verá afectado negativamente.

Funciones



B

Utilización del aparato



La imagen anterior se proporciona solamente como referencia. La configuración real dependerá del producto físico o de la declaración del distribuidor.



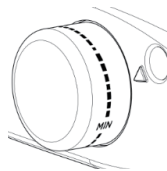
La imagen anterior se proporciona solamente como referencia. La configuración real dependerá del producto físico o de la declaración del distribuidor.

- Gire el mando de control de la temperatura hasta la posición MAX, la temperatura interior del frigorífico disminuirá.
- Gire el mando de control de la temperatura hasta la posición MIN, la temperatura interior del frigorífico subirá.
- La letra del mando solo representa el nivel, pero no indica la temperatura específica, la posición «OFF» indica que el frigorífico deja de funcionar.
- Ajuste recomendado: "MED"

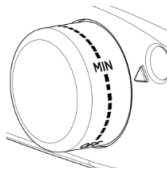


NOTA: Ajuste y utilice una posición entre "MAX" y "MIN".

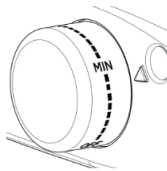
Ajuste del termostato para temperatura ambiente T°C :
NORMAL ≈ +24°C (± 4°C)



Ajuste del termostato para temperatura ambiente T°C :
FRÍO ≈ +16°C (± 4°C)



Ajuste del termostato para temperatura ambiente T°C :
CALIENTE ≈ +32 °C (± 4 °C)



Mantenimiento del frigorífico

Limpieza

- El polvo detrás del frigorífico y en el suelo debe limpiarse oportunamente para mejorar el efecto de refrigeración y el ahorro de energía.
- Compruebe regularmente la junta de la puerta para asegurarse de que no haya residuos. Limpie la junta de la puerta con un paño suave humedecido con agua jabonosa o detergente diluido.
- El interior del frigorífico deberá limpiarse con regularidad para evitar olores.
- Apague el aparato antes de limpiar el interior y saque todos los alimentos, bebidas, estantes, cajones, etc.
- Utilice un paño suave o una esponja para limpiar el interior del frigorífico, con dos cucharadas de bicarbonato y un litro de agua tibia. A continuación, aclárelo con agua y límpielo con un paño. Después de limpiarlo, abra la puerta y deje que se seque de forma natural antes de conectar la alimentación.
- Para las zonas difíciles de limpiar del interior del frigorífico (como lugares estrechos, huecos o rincones), recomendamos limpiarlas regularmente con un paño suave, un cepillo suave, etc.; y cuando sea necesario, con algunas herramientas (como palillos finos) para garantizar que no haya acumulación de bacterias ni contaminantes en esas zonas.
- No utilice jabón, detergente, detergente en polvo, limpiador en aerosol, etc., ya que pueden causar olores en el interior del frigorífico o contaminar los alimentos.
- Limpie las bandejas de la puerta, los estantes y los cajones con un paño suave humedecido con agua jabonosa o detergente diluido. Séquelos con un paño suave o deje que se sequen de forma natural.
- Limpie la superficie exterior del frigorífico con un paño suave humedecido con agua jabonosa, detergente, etc., y luego séquela.

- No utilice cepillos duros, estropajos metálicos, cepillos de alambre, productos abrasivos (como pasta de dientes), disolventes orgánicos (como alcohol, acetona, aceite de plátano, etc.), agua hirviendo ni productos ácidos o alcalinos, ya que podrían dañar la superficie y el interior del frigorífico. El agua hirviendo y los disolventes orgánicos como el benceno pueden deformar o dañar las piezas de plástico.
- No aclare directamente con agua u otros líquidos durante la limpieza para evitar cortocircuitos o afectar al aislamiento eléctrico tras la inmersión.



¡ADVERTENCIA!

- Desenchufe el frigorífico para descongelarlo y limpiarlo.

Descongelación

- Apague el frigorífico.
- Saque los alimentos del frigorífico y colóquelos adecuadamente para evitar que se descongelen.
- Despeje el tubo de desagüe (use materiales blandos para evitar dañar el revestimiento), prepare los recipientes de agua para la descongelación. (Preste atención al limpiar la bandeja de desagüe de agua del compartimiento del compresor, evitando que el agua se desborde y caiga al suelo).
- Puede usar la temperatura ambiente para la descongelación natural, también puede usar una pala de hielo para eliminar el hielo (use una pala de hielo de plástico o madera para evitar dañar el revestimiento y el tubo).

- También puede utilizar la cantidad adecuada de agua caliente para acelerar la descongelación, con una toalla seca para secar el agua después de descongelar.
- Después de descongelar, vuelva a colocar los alimentos en el frigorífico y enciéndalo.

Dejar de usar el producto

- Corte de corriente: En caso de corte de corriente, aunque sea en verano, los alimentos del interior del aparato pueden conservarse durante varias horas. Durante el corte de corriente, deberán reducirse los tiempos de apertura de la puerta y no se deberán introducir más alimentos frescos en el aparato.
- No utilizado durante un periodo prolongado de tiempo: El aparato deberá desenchufarse y luego limpiarse. Después, deberán dejarse las puertas abiertas para evitar olores.
- Traslado del aparato: Antes de trasladar el frigorífico, saque todos los objetos de su interior, fije con cinta adhesiva las divisiones de cristal, el cajón para verduras, los cajones de la cámara de congelación, etc.; y apriete las patas niveladoras, cierre las puertas y séllelas con cinta adhesiva. Durante el traslado, el aparato no deberá colocarse boca abajo ni horizontalmente, ni ser sometido a vibraciones. La inclinación durante el traslado no deberá ser superior a 45°.



- El aparato funcionará continuamente una vez arrancado. Generalmente, el funcionamiento del aparato no se interrumpirá; o de lo contrario, la vida útil puede verse afectada.

Solución de problemas

Puede intentar resolver los siguientes problemas sencillos por su cuenta. Si no se pueden resolver, póngase en contacto con el departamento de posventa.

| Problema | Solución |
|--|--|
| El aparato no funciona | <ul style="list-style-type: none"> • Compruebe si el aparato está conectado a la corriente o si el enchufe está haciendo buen contacto • Compruebe si la tensión es demasiado baja • Compruebe si hay un corte de corriente o si se han disparado circuitos parciales |
| Olor | <ul style="list-style-type: none"> • Los alimentos olorosos deberán envolverse herméticamente • Compruebe si hay alimentos podridos • Limpie el interior del frigorífico |
| Funcionamiento más lento del compresor | <ul style="list-style-type: none"> • El funcionamiento más lento del frigorífico es normal en verano cuando la temperatura ambiente es alta • No se recomienda almacenar demasiada comida en el aparato al mismo tiempo • Los alimentos deberán enfriarse antes de introducirlos en el aparato • Las puertas se abren con demasiada frecuencia |
| La luz no se enciende | <ul style="list-style-type: none"> • Compruebe si el frigorífico está conectado a la toma de corriente y si la luz de iluminación está dañada • Pida a un técnico cualificado que cambie la luz |
| Las puertas no pueden cerrarse correctamente | <ul style="list-style-type: none"> • La puerta está atascada por envases de comida • Se ha introducido demasiada comida • El frigorífico está inclinado |
| Ruido fuerte | <ul style="list-style-type: none"> • Compruebe si el suelo está nivelado y si el frigorífico está colocado de forma estable • Compruebe si los accesorios están colocados en los lugares adecuados |
| La junta de la puerta no es hermética | <ul style="list-style-type: none"> • Elimine cualquier cuerpo extraño de la junta de la puerta • Caliente la junta de la puerta y luego enfríela para restaurarla (o soplela con un secador eléctrico o utilice una toalla caliente para calentarla) |

| Problema | Solución |
|--------------------------------|--|
| La bandeja de agua se desborda | <ul style="list-style-type: none"> • Hay demasiados alimentos en la cámara o los alimentos almacenados contienen demasiada agua, lo que provoca una difícil descongelación • Las puertas no se cierran correctamente, lo que provoca la formación de hielo debido a la entrada de aire y el aumento de agua por la descongelación |
| La carcasa se calienta | <ul style="list-style-type: none"> • Debido a la disipación del calor del condensador integrado a través de la carcasa, esto es normal • Cuando la carcasa se caliente debido a una alta temperatura ambiente, al almacenamiento de demasiados alimentos o a la parada del compresor cuando se apaga, proporcione una buena ventilación para facilitar la disipación del calor |
| Condensación en la superficie | <ul style="list-style-type: none"> • La condensación en la superficie exterior y en las juntas de la puerta del frigorífico es normal cuando la humedad ambiental es demasiado alta. Simplemente, limpie la condensación con una toalla limpia. |
| Ruido anormal | <ul style="list-style-type: none"> • Zumbido: El compresor puede producir zumbidos durante su funcionamiento, y los zumbidos son fuertes sobre todo al arrancar o al detenerse. Esto es normal. • Chirrido: El refrigerante que fluye por el interior del aparato puede producir chirridos, lo cual es normal. |

Tabla 1: Clases climáticas

| Clase | Símbolo | Rango de temperatura ambiente |
|-------------------|---------|-------------------------------|
| Templado ampliado | SN | +10 a +32 |
| Templado | N | +16 a +32 |
| Subtropical | ST | +16 a +38 |
| Tropical | T | +16 a +43 |

Templado ampliado: este frigorífico está destinado a ser utilizado a temperaturas ambiente comprendidas entre los 10 °C y los 32 °C.

Templado: este frigorífico está destinado a ser utilizado a temperaturas ambiente comprendidas entre los 16 °C y los 32 °C.

Subtropical: este frigorífico está destinado a ser utilizado a temperaturas ambiente comprendidas entre los 16 °C y los 38 °C.

Tropical: este frigorífico está destinado a ser utilizado a temperaturas ambiente comprendidas entre los 16 °C y los 43 °C.

WARRANTY CONDITIONS

EN

This product is guaranteed against faults caused by defects in manufacturing or the materials used for a period of two years, starting from the date of purchase.* This warranty does not cover defects or damage caused by failure to install the device correctly, incorrect use of the product, or excessive wear and tear.

*proof of purchase required.

CONDITION DE GARANTIE

FR

Ce produit est garanti pour une période de 2 ans à partir de la date d'achat*, contre toute défaillance résultant d'un vice de fabrication ou de matériau. Cette garantie ne couvre pas les vices ou les dommages résultant d'une mauvaise installation, d'une utilisation incorrecte ou de l'usure anormale du produit.

*sur présentation du ticket de caisse.

GARANTIEVOORWAARDEN

NL

Dit product wordt gegarandeerd voor een periode van 2 jaar vanaf de aankoopdatum*, voor elke storing die het gevolg is van een fabricagefout of het materiaal. Gebreken of schade door slechte installatie, onjuist gebruik of abnormale slijtage van het product worden niet gedekt door deze garantie.

*op vertoon van kassabon.

CONDICIONES DE GARANTÍA

ES

El certificado de garantía de este producto tiene una duración de 2 años a partir de la fecha de compra* que se limita a los defectos de fabricación y averías del material. Se excluyen de la garantía deficiencias o daños originados por una mala instalación, errores en la manipulación o por un uso inadecuado.

*previa presentación del comprobante de compra.

ELECTRO DEPOT

1 route de Vendeville

59155 FACHES-THUMESNIL - FRANCE

