



## WARRANTY CONDITION

EN

This product has a 2-year warranty as of the date of purchase\*, covering any fault resulting from a manufacturing or material defect. This warranty does not cover defects or damage resulting from incorrect installation, improper use or abnormal wear of the appliance.

\*upon presentation of the sales receipt.

## CONDITION DE GARANTIE

FR

Ce produit est garanti pour une période de 2 ans à partir de la date d'achat\*, contre toute défaillance résultant d'un vice de fabrication ou de matériau. Cette garantie ne couvre pas les vices ou les dommages résultant d'une mauvaise installation, d'une utilisation incorrecte ou de l'usure anormale du produit.

\*sur présentation du ticket de caisse.

## GARANTIEVOORWAARDEN

NL

Dit product wordt gegarandeerd voor een periode van 2 jaar vanaf de aankoopdatum\*, voor elke storing die het gevolg is van een fabricagefout of het materiaal. Gebreken of schade door slechte installatie, onjuist gebruik of abnormale slijtage van het product worden niet gedekt door deze garantie.

\*op vertoon van kassabon.

## CONDICIONES DE GARANTÍA

ES

El certificado de garantía de este producto tiene una duración de 2 años a partir de la fecha de compra\* que se limita a los defectos de fabricación y averías del material. Se excluyen de la garantía deficiencias o daños originados por una mala instalación, errores en la manipulación o por un uso inadecuado.

\*previa presentación del comprobante de compra.

MADE IN PRC

---

ELECTRO DEPOT

1 route de Vendeville

59155 FACHES-THUMESNIL

FRANCE



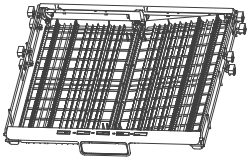
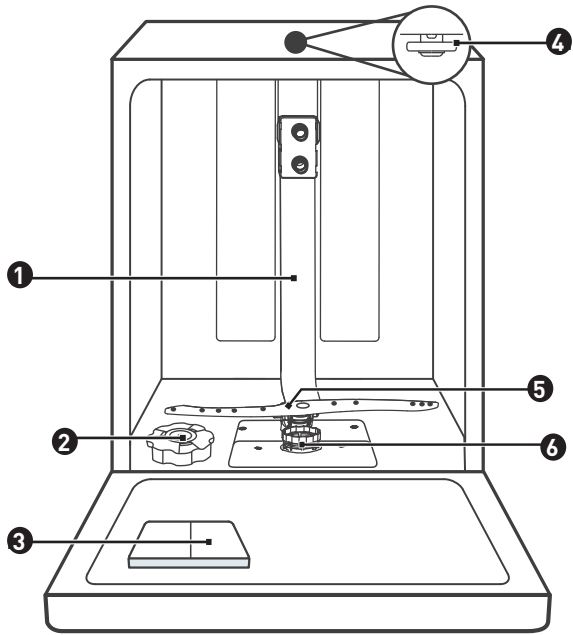
Dishwasher  
Lave-vaisselle  
Vaatwasser  
Lavavajillas

978217 - FBI 14S40 B KAD929C

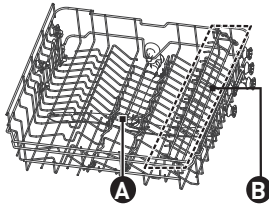
INSTRUCTIONS FOR USE	.....02
CONSIGNES D'UTILISATION	.....56
GEBRUIKSAANWIJZINGEN	.....110
INSTRUCCIONES DE USO	.....164

**VALBERG**

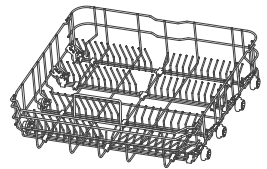




7



8



9









# Thanks!

Thank you for choosing this VALBERG product.  
Chosen, tested and recommended by ELECTRO DEPOT,  
VALBERG branded products are easy to use, reliable,  
and of an impeccable standard.  
With every use of this appliance, you can be sure of  
complete satisfaction.

Welcome to ELECTRO DEPOT.

Visit our website: [www.electrodepot.fr](http://www.electrodepot.fr)



**ELECTRO DEPOT**

## **A** Overview of the appliance

Product overview

---

## **B** Using the appliance

Using your dishwasher  
Installation instruction  
Loading the baskets  
Using the cutlery rack  
Sound-absorbing strip installation  
Quick user guide  
Using your dishwasher  
Programming the dishwasher

---

## **C** Useful information

Maintenance and cleaning  
Troubleshooting tips  
Error codes  
Usage counter

## Product overview

### IMPORTANT

To get the best performance from your dishwasher, read all operating instructions before using it for the first time.

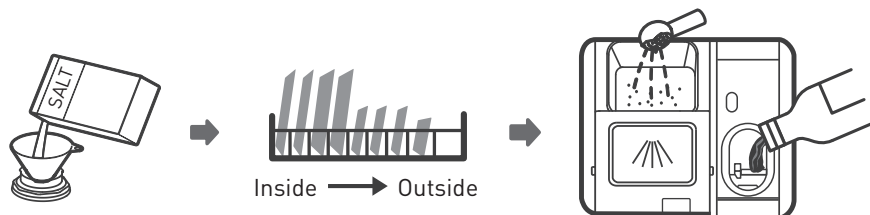
- 1 Inner pipe
- 2 Salt container
- 3 Dispenser
- 4 Top spray arm
- 5 Lower spray arm
- 6 Filter assembly
- 7 Cutlery basket
- 8 Upper basket
  - A Upper spray arm
  - B Cup rack
- 9 Lower basket

### NOTE

Pictures are only for reference, different models may be different.

## Using your dishwasher

- Before using your dishwasher :



1. Set the water softener
2. Loading the salt into the softener
3. Loading the basket
4. Fill the detergent dispenser

### NOTE

Please check the section «Water Softener», if you need to set the water softener.

### Loading the salt into the softener

- If your model does not have any water softener, you may skip this section.
- Always use salt intended for dishwasher use.
- The salt container is located beneath the lower basket and should be filled as explained in the following:

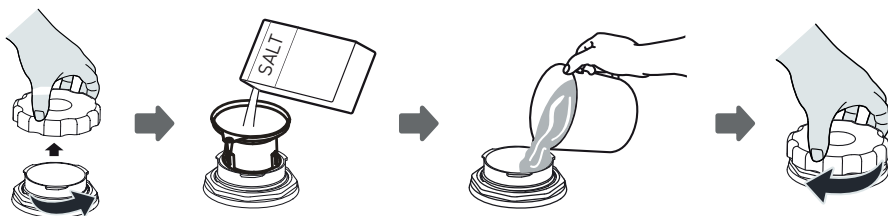
### WARNING

**Only use salt specifically designed for dishwashers use!** Every other type of salt not specifically designed for dishwasher use, especially table salt, will damage the water softener. In case of damages caused by the use of unsuitable salt the manufacturer does not give any warranty nor is liable for any damages caused.

**WARNING****Only fill with salt before running a cycle.**


This will prevent any grains of salt or salty water, which may have been spilled, remaining on the bottom of the machine for any period of time, which may cause corrosion

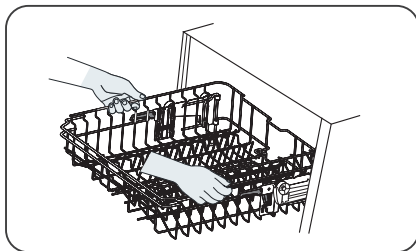
- Please follow the steps below for adding dishwasher salt:



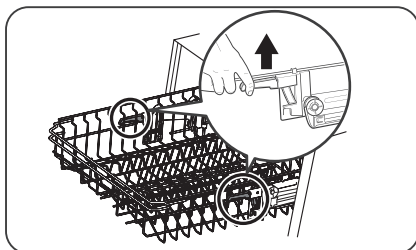
1. Remove the lower basket and unscrew the reservoir cap.
2. Place the end of the funnel (if supplied) into the hole and pour in about 1.5 kg of dishwasher salt.
3. Fill the salt container to its maximum limit with water, it is normal for a small amount of water to come out of the salt container.
4. After filling the container, screw back the cap tightly.
5. The salt warning light will turn off after the salt container has been filled with salt.
6. Immediately after filling the salt into the salt container, a washing program should be started (We suggest to use a short program). Otherwise the filter system, pump or other important parts of the machine may be damaged by salty water. This is out of warranty.

**NOTE**

- The salt container must only be refilled when the salt warning light  in the control panel comes on. Depending on how well the salt dissolves, the salt warning light may still be on even though the salt container is filled. If there is no salt warning light in the control panel (for some models), you can estimate when to fill the salt into the softener by the cycles that the dishwasher has run.
- If salt has spilled, run a soak or quick program to remove it.

**Basket Loading Tips**Adjusting the upper basket

1. To raise the upper basket, just lift the upper basket at the center of each side until the basket locks into place in the upper position. It is not necessary to lift the adjuster handle.



2. To lower the upper basket, lift the adjust handles on each side to release the basket and lower it to the lower position.

### Folding back the cup shelves

To make room for taller items in the upper basket, raise the cup rack upwards. You can then lean the tall glasses against it.

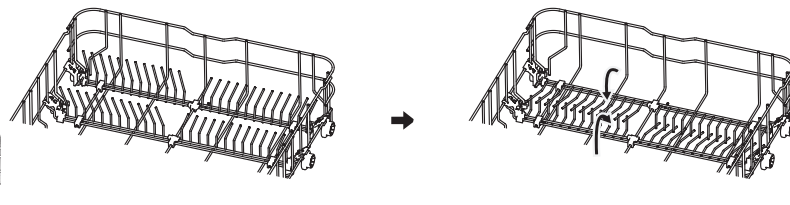


### Folding back the rack shelves

The spikes of the lower basket are used for holding plates and a platter. They can be lowered to make more room for large items.

raise upwards

fold backwards





## Installation instruction

### WARNING

#### Electrical shock hazard

Disconnect electrical power before installing dishwasher. Failure to do so could result in death or electrical shock.

### WARNING

The installation of the pipes and electrical equipments should be done by professionals.

#### About power connection

### WARNING

For personal safety:

- Do not use an extension cord or an adapter plug with this appliance.
- Do not, under any circumstances, cut or remove the earthing connection from the power cord.

#### Electrical requirements

Please look at the rating label to know the rating voltage and connect the dishwasher to the appropriate power supply. Use the required fuse 10A/13A/16A, time delay fuse or circuit breaker recommended and provide separate circuit serving only this appliance.

#### Electrical connection

Ensure the voltage and frequency of the power being corresponds to those on the rating plate. Only insert the plug into an electrical socket which is earthed properly. If the electrical socket to which the appliance must be connected is not appropriate for the plug, replace the socket, rather than using a adaptors or the like as they could cause overheating and burns.

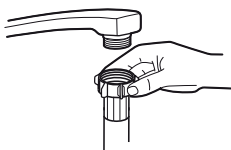
### WARNING

Ensure that proper earthing exists before use

## Water supply and drain

### Cold water connection

- Connect the cold water supply hose to a threaded 3/4(inch) connector and make sure that it is fastened tightly in place.
- If the water pipes are new or have not been used for an extended period of time, let the water run to make sure that the water is clear.
- This precaution is needed to avoid the risk of the water inlet to be blocked and damage the appliance.



ordinary supply hose



safety supply hose

### About the safety supply hose

- The safety supply hose consists of the double walls. The system guarantees its intervention by blocking the flow of water in case of the supply hose breaking and when the air space between the supply hose itself and the outer corrugated hose is full of water.

## WARNING

A hose that attaches to a tap can burst if it is installed on the same water line as the dishwasher. If your sink has one, it is recommended that the hose be disconnected and the hole plugged.

How to connect the safety supply hose

1. Pull the safety supply hoses out from storage compartment located at rear of dishwasher.
2. Tighten the screws of the safety supply hose to the faucet with thread 3/4inch.
3. Turn the water fully on before starting the dishwasher.

How to disconnect the safety supply hose

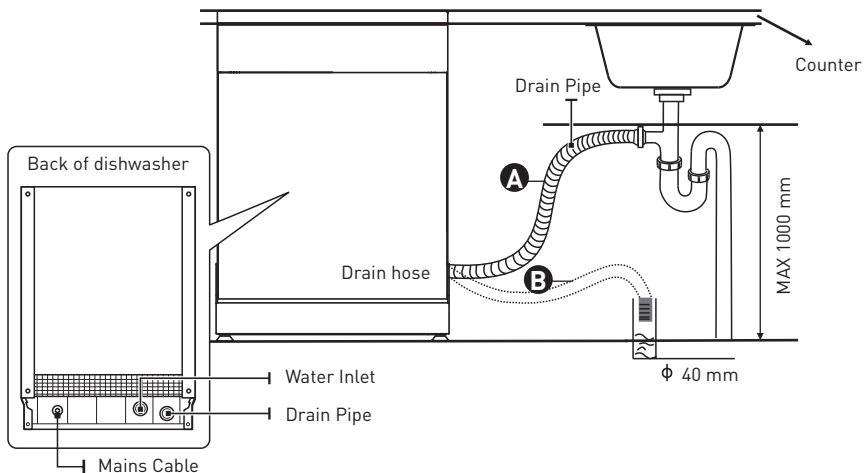
1. Turn off the water.
2. Unscrew the safety supply hose from the faucet.

**Connection of drain hoses**

Insert the drain hose into a drain pipe with a minimum diameter of 4 cm, or let it run into the sink, making sure to avoid bending or crimping it. The height of drain pipe must be less than 1000 mm. The free end of the hose must not be immersed in water to avoid the back flow of it.

**WARNING**

Please securely fix the drain hose in either position **A** or position **B**



### How to drain excess water from hoses

If the connection to the drain pipe is positioned higher than 1000 mm, excess water may remain in the drain hose. It will be necessary to drain excess water from the hose into a bowl or suitable container that is held outside and lower than the sink.

### Water outlet

- Connect the water drain hose. The drain hose must be correctly fitted to avoid water leaks.
- Ensure that the water drain hose is not kinked or squashed.

### Extension hose

- If you need a drain hose extension, make sure to use a similar drain hose.
- It must be no longer than 4 meters; otherwise the cleaning effect of the dishwasher could be reduced.

### Syphon connection

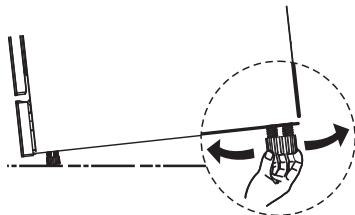
The waste connection must be at a height less than 1000 mm (maximum) from the bottom of the dishwasher.

### **Positioning the appliance**

- Position the appliance in the desired location. The back should rest against the wall behind it, and the sides, along the adjacent cabinets or walls.
- The dishwasher is equipped with water supply and drain hoses that can be positioned either to the right or the left sides to facilitate proper installation.

### Levelling the appliance

Once the appliance is positioned for levelling, the height of the dishwasher may be altered via adjustment of the screwing level of the feet. In any case, the appliance should not be inclined more than 2°.

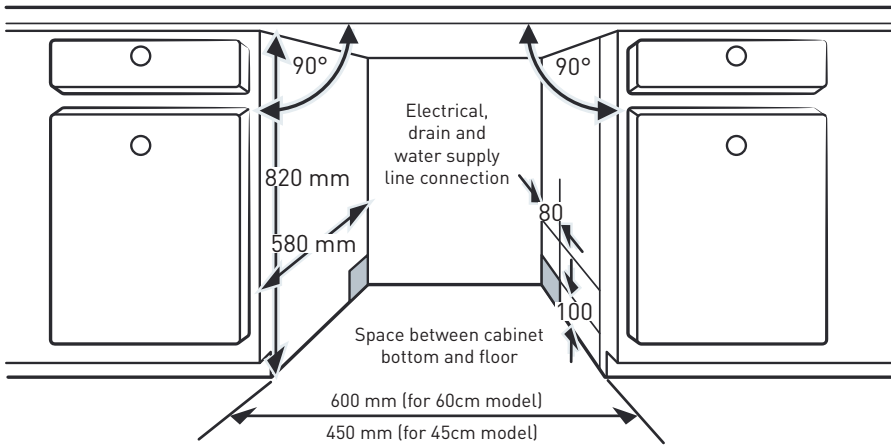


### Built-In Installation (for the integrated model)

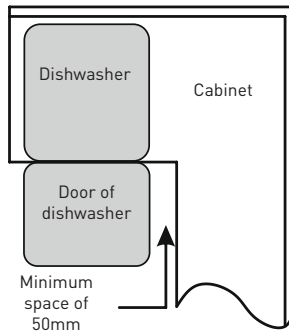
#### Step 1. Selecting the best location for the dishwasher

- The installation position of the dishwasher should be near the existing inlet and drain hose and power socket.
- Illustrations of cabinet dimensions and installation position of the dishwasher.

1. Less than 5 mm between the top of dishwasher and cabinet and the outer door aligned to cabinet.



2. If dishwasher is installed at the corner of the cabinet, there should be some space when the door is opened.



**NOTE**

Depending on where your electrical outlet is, you may need to cut a hole in the opposite cabinet side.

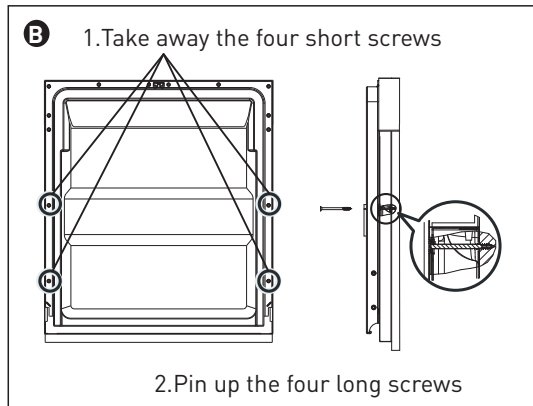
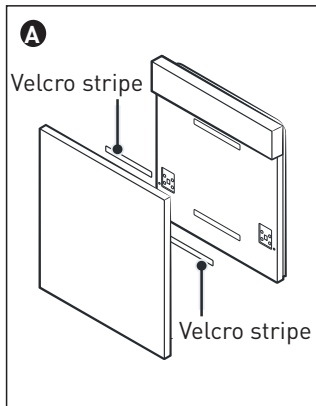
Step 2. Aesthetic panel's dimensions and installation

**NOTE**

Follow the specific installation instruction for attaching the aesthetical door panel.

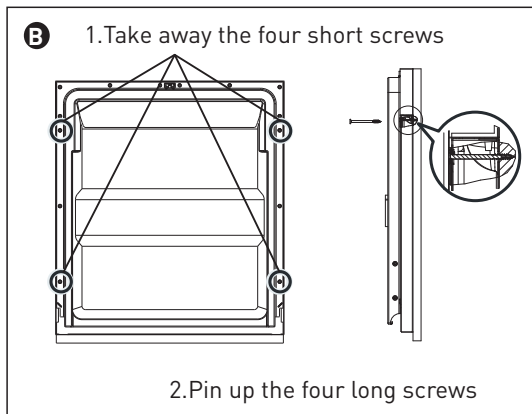
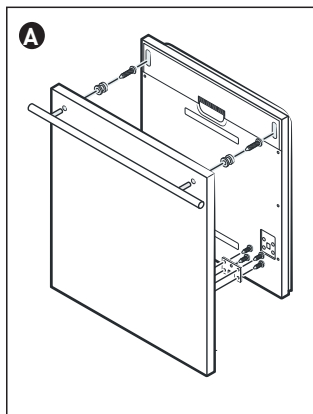
Semi-integrated model

- Separate velcro stripe **A** and velcro stripe **B** and attach velcro stripe **A** on the inner side of the aesthetic panel. Attach the felted velcro stripe **B** on the outer door of dishwasher (see figure **A**). After positioning of the panel, fix the panel onto the outer door by screws and bolts (See figure **B**).



Fully-integrated model

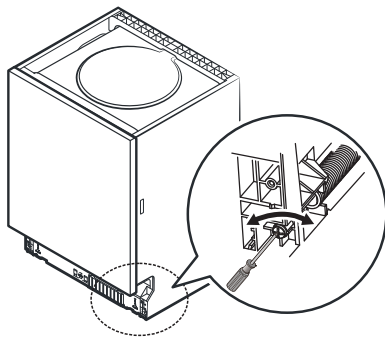
- Install the hook on the aesthetic panel and put the hook into the slot of the outer door of dishwasher (see figure **A**). After positioning of the panel, fix the panel onto the outer door by screws and bolts (See figure **B**).



### Step 3. Tension adjustment of the door spring

1. The door springs are set at the factory to the proper tension for the outer door. If aesthetic panel are installed, you will have to adjust the door spring tension. Rotate the adjusting screw to drive the adjustor to strain or relax the steel cable.

2. Door spring tension is correct when the door remains horizontal in the fully opened position, yet rises to a close with the slight lift of a finger.



#### Step 4. Dishwasher installation steps

### NOTE

Please refer to the specific installation steps in the installation drawings.

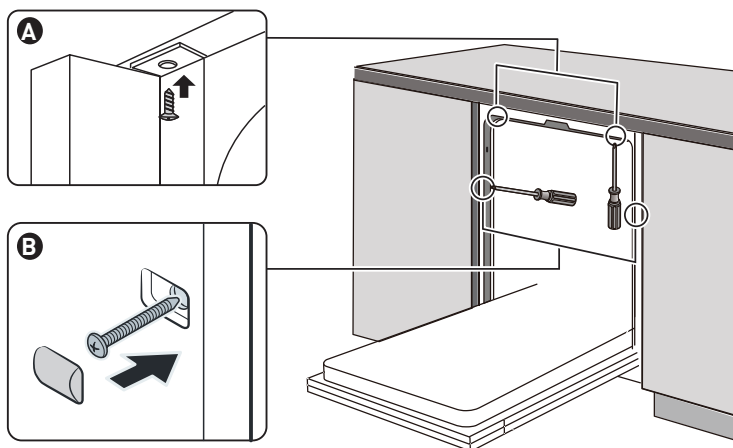
1. Affix the condensation strip under the work surface of cabinet. Please ensure the condensation strip is flush with edge of work surface. (Step 2)
2. Connect the inlet hose to the cold water supply.
3. Connect the drain hose.
4. Connect the power cord.
5. Place the dishwasher into the cabinet.
6. Level the dishwasher. The rear foot can be adjusted from the front of the dishwasher by turning the Philips screw in the middle of the base of dishwasher use a Philips screw driver. To adjust the front feet, use a flat screw driver and turn the front feet until the dishwasher is level. (Step 5 to Step 6)
7. Install the furniture door to the outer door of the dishwasher. (Step 7 to Step 10)
8. Adjust the tension of the door springs by using a Philips screw driver turning in a clockwise motion to tighten the left and right door springs. Failure to do this could cause damage to your dishwasher. (Step 11)



9. The dishwasher must be secured in place. There are two ways to do this:

**A** Normal work surface: Put the installation hook into the slot of the side plane and secure it to the work surface with the screws.

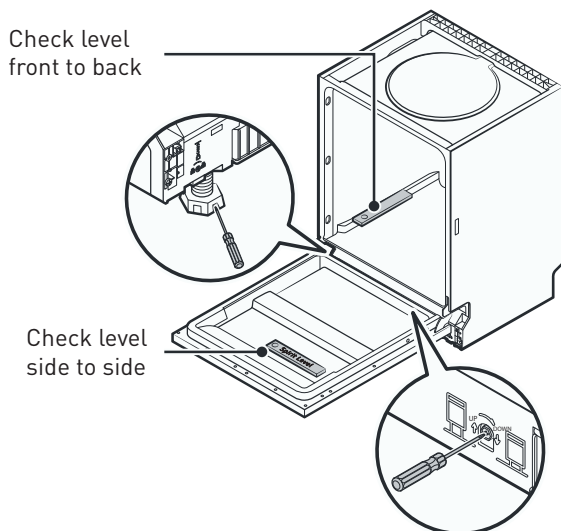
**B** Marble or granite work top: Fix the side with screw.



### Step 5. Levelling the dishwasher

Dishwasher must be level for proper dish rack operation and wash performance.

1. Place a spirit level on door and rack track inside the tub as shown to check that the dishwasher is level.
2. Level the dishwasher by adjusting the three levelling feet individually.
3. When level the dishwasher, please pay attention not to let the dishwasher tip over.



### **NOTE**

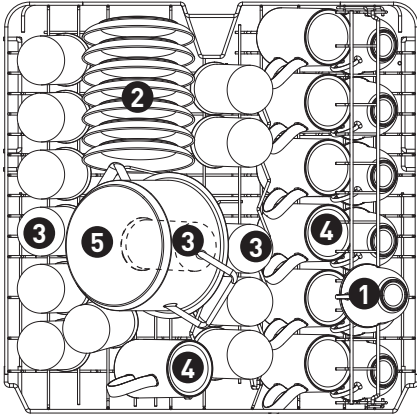
The maximum adjustment height of the feet is 50 mm.

## Loading the baskets

### According to EN60436:

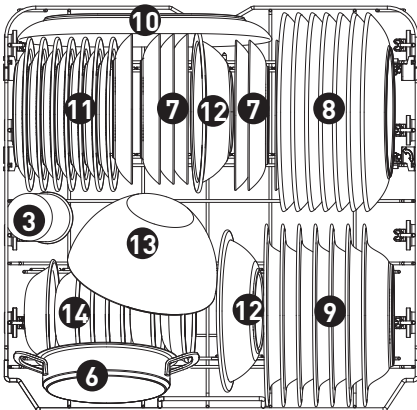
Loading the dishwasher to its full capacity will contribute to energy and water savings.

#### Upper basket:



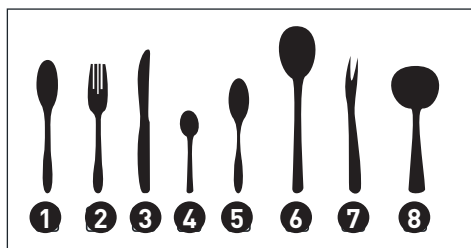
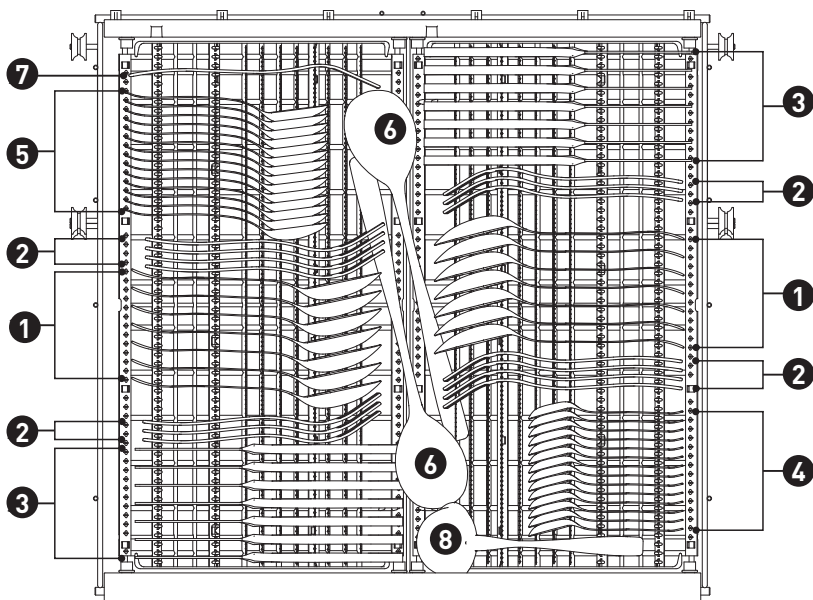
Number	Item
1	Cups
2	Saucers
3	Glasses
4	Mugs
5	Small pot

#### Lower basket:



Number	Item
6	Oven pot
7	Dessert plates
8	Dinner plates
9	Soup plates
10	Oval platter
11	Melamine dessert plates
12	Melamine bowls
13	Glass bowl
14	Dessert bowls

## Cutlery rack:



Information for comparability tests in accordance with EN60436

Capacity: 14 place settings

Position of the upper basket: lower position

Program: ECO

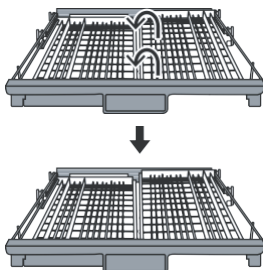
Rinse aid setting: MAX

Softener setting: H3

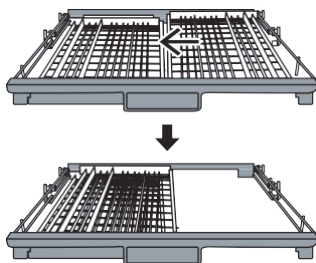
Number	Item
1	Soup spoons
2	Forks
3	Knives
4	Tea spoons
5	Dessert spoons
6	Serving spoons
7	Serving fork
8	Gravy ladle

## Using the cutlery rack

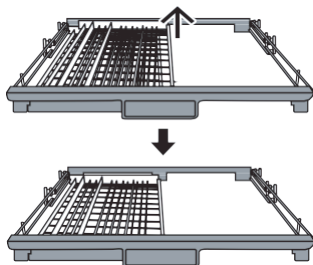
- To create more space for the glass basket, the cutlery rack can be removed. Steps :
- Lift the right hand side of the rack, while keeping both parts of the rack flat



- Slide the right hand side of the rack towards the left. Both sections overlap.
- Pull on the right hand side of the rack to remove it completely.



- Do this in reverse order to put the right hand rack back in position.



### NOTE

The number of place settings specified on the energy label is based on 25 cm plates and glasses 12 cm high.

## Sound-absorbing strip installation



**Top** (Only for built-in dishwasher)



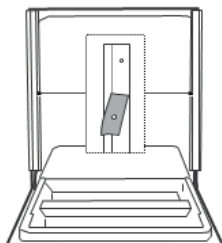
**Left**



**Right**



Remove the four screws from the plates on both the left and right sides



Remove the protection film from the soundabsorbing strips and then stick the strips on the plates, making sure the hole positions are aligned

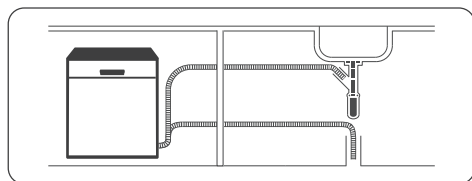


Tighten the four screws on the plates

## Quick user guide

Please read the corresponding content in the instruction manual for detailed operating method.

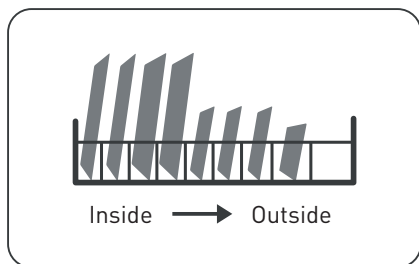
1. Install the dishwasher  
(Please check the section "INSTALLATION INSTRUCTION".)



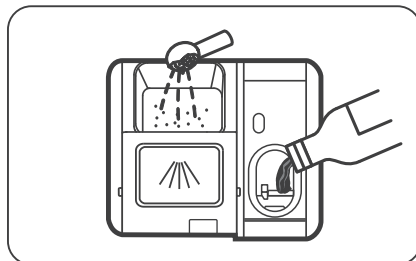
2. Remove larger residue from dishes. Avoid pre-rinsing.



3. Load the baskets



4. Fill the dispenser with detergent and rinse aid.

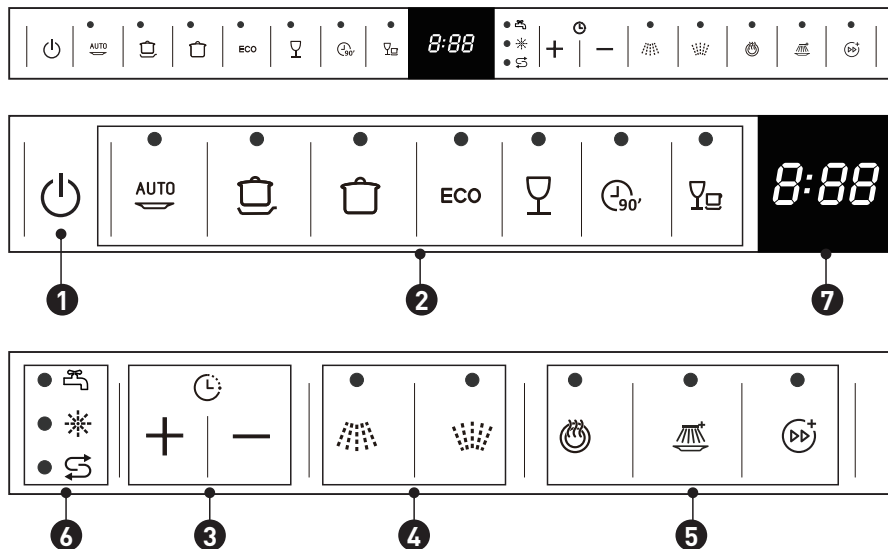


5. Select a suitable programme and start the dishwasher.



## Using your dishwasher

### Control panel



### Operation (Button)

#### 1 Power



Press this button to turn on your dishwasher, the screen lights up.



## 2 Program



### Auto

For lightly, normally or heavily soiled crockery with or without dried-on food.



### Intensive

Heavily soiled items include pots and pans. With dried on food.



### Universal

For normally soiled loads, such as pots, plates, glasses and lightly soiled pans.



### ECO

This is standard program, it is suitable to clean normally soiled tableware and it is the most efficient program in terms of its combined energy and water consumption for that type of tableware.



### Glass

For lightly soiled crockery and glass.



### 90 Min

For normally soiled loads that need quick wash.



### Rapid

A shorter wash for lightly soiled loads that do not need drying.

## 3 Delay +/-

Press the «+» button to add the delay time or press the «-» button to decrease the delay time, maximum 24 hours delay can be defined.

## 4 Alt



### Upper

When you select Upper, only the dishes in the upper rack will be washed. The spray system of the lower basket will not operate.



### Lower

When you select Lower, only the dishes in the lower rack will be washed. The spray system of the upper basket will not operate.

## 5 Function



### Extra Cleaning

To wash very dirty, hard to clean dishes. (It can not be used with Auto, Rapid)



### Extra Drying


To dry dishes more completely. (It can not be used with Auto, Rapid)




### Turbo speed+

Reduce the program time. (It can not be used with Auto, Rapid)


Display**6** Waning Indicator**Rinse Aid**

If the «» indicator is lit, it means the dishwasher is low on dishwasher rinse aid and requires a refill.

**Salt**

If the «» indicator is lit, it means the dishwasher is low on dishwasher salt and needs to be refilled.

**Water Faucet**

If the «» indicator is lit, it means the water faucet closed.

**7** Screen

To show the remaining program time and delay time, error code etc.

**Water softener**

- The water softener must be set manually, using the water hardness dial.
- The water softener is designed to remove minerals and salts from the water, which would have a detrimental or adverse effect on the operation of the appliance.
- The more minerals there are, the harder your water is.
- The softener should be adjusted according to the hardness of the water in your area.
- Your local Water Authority can advise you on the hardness of the water in your area.

Adjusting salt consumption

• The dishwasher is designed to allow for adjustment in the amount of salt consumed based on the hardness of the water used. This is intended to optimise and customise the level of salt consumption.

- Please follow the steps below for adjustment in salt consumption.

1. Open the door, switch on the appliance;
2. Within 60 seconds after the appliance was switched on press the Rapid button for more than 5 seconds to enter the water softener setting mode.
3. Press the Rapid button again to select the proper set according to your local environment, the setting will change in the following sequence: H3->H4->H5->H6->H1->H2->H3;
4. Press the Power button to end the setting mode.

WATER HARDNESS				Water softener level	Regeneration occurs every X program sequence <sup>1)</sup>	Salt consumption (gram/cycle)
German dH	French fH	British Clarke	Mmol/l			
0 - 5	0 - 9	0 - 6	0 - 0,94	H1	No regeneration	0
6 - 11	10 - 20	7 - 14	1,0 - 2,0	H2	10	9
12 - 17	21 - 30	15 - 21	2,1 - 3,0	H3	5	12
18 - 22	31 - 40	22 - 28	3,1 - 4,0	H4	3	20
23 - 34	41 - 60	29 - 42	4,1 - 6,0	H5	2	30
35 - 55	61 - 98	43 - 69	6,1 - 9,8	H6	1	60

1°dH=1.25 °Clarke=1.78 °fH=0.178mmol/l

The factory setting: H3

<sup>1)</sup> Every cycle with a regeneration operation consumes additional 2.0 litres of water, the energy consumption increases by 0.02 kWh and the program extends by 4 minutes.

## NOTE

Please check the “Loading The Salt Into The Softener”, if your dishwasher lacks salt.

## NOTE

**If your model does not have any water softener, you may skip this section.**

Water Softener

- The hardness of the water varies from place to place. If hard water is used in the dishwasher, deposits will form on the dishes and utensils.
- The appliance is equipped with a special softener that uses a salt container specifically designed to eliminate lime and minerals from the water.

**Preparing and loading dishes**

- Consider buying utensils which are identified as dishwasher-proof.
- For particular items, select a program with the lowest possible temperature.
- To prevent damage, do not take glass and cutlery out of the dishwasher immediately after the program has ended.

For washing the following cutlery/dishes

Are not suitable:

- Cutlery with wooden, horn china or mother-of-pearl handles
- Plastic items that are not heat resistant
- Older cutlery with glued parts that are not temperature resistant
- Bonded cutlery items or dishes
- Pewter or cooper items
- Crystal glass
- Steel items subject to rusting
- Wooden platters
- Items made from synthetic fibres

Are of limited suitability:

- Some types of glasses can become dull after a large number of washes
- Silver and aluminum parts have a tendency to discolour during washing
- Glazed patterns may fade if machine washed frequently

Recommendations for loading the dishwasher

- Scrape off any large amounts of leftover food. Soften remnants of burnt food in pans. It is not necessary to rinse the dishes under running water. For best performance of the dishwasher, follow these loading guidelines.

**(Features and appearance of baskets and cutlery baskets may vary from your model.)**

Place objects in the dishwasher in the following way:

- Items such as cups, glasses, pots/pans, etc. must face downwards.
- Curved items, or ones with recesses, should be loaded aslant so that water can run off.
- All utensils are stacked securely and can not tip over.
- All utensils are placed in the way that the spray arms can rotate freely during washing.
- Load hollow items such as cups, glasses, pans etc. With the opening facing downwards so that water cannot collect in the container or a deep base.

- Dishes and items of cutlery must not lie inside one another, or cover each other.
- To avoid damage, glasses should not touch one another.
- The upper basket is designed to hold more delicate and lighter dishware such as glasses, coffee and tea cups.
- Long bladed knives stored in an upright position are a potential hazard!
- Long and / or sharp items of cutlery such as carving knives must be positioned horizontally in the upper basket.
- Please do not overload your dishwasher. This is important for good results and for reasonable consumption of energy.

## NOTE

Very small items should not be washed in the dishwasher as they could easily fall out of the basket.

### Removing the dishes

To prevent water dripping from the upper basket into the lower basket, we recommend that you empty the lower basket first, followed by the upper basket.

## WARNING

**Items will be hot!** To prevent damage, do not take glass and cutlery out of the dishwasher for around 15 minutes after the program has ended.

### Loading the upper basket

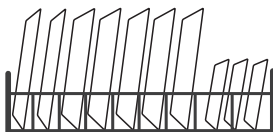
The upper basket is designed to hold more delicate and lighter dishware such as glasses, coffee and tea cups and saucers, as well as plates, small bowls and shallow pans (as long as they are not too dirty). Position the dishes and cookware so that they will not get moved by the spray of water.



### Loading the lower basket

- We suggest that you place large and difficult to clean items into the lower basket: such as pots, pans, lids, serving dishes and bowls, as shown in the figure below. It is preferable to place serving dishes and lids on the side of the racks in order to avoid blocking the rotation of the top spray arm.

- The maximum diameter advised for plates in front of the detergent dispenser is of 19 cm, this not to hamper the opening of it.



### Loading the cutlery basket

Cutlery should be placed in the cutlery basket separate from each other in the appropriate positions. Avoid nesting of the cutlery to prevent insufficient cleaning performance.

## **WARNING**

Do not let any item extend through the bottom.  
Always load sharp utensils with the sharp point down!

## **NOTE**

For the best washing effect, please load the baskets refer to standard loading options.

### **Function of the rinse aid and detergent**


The rinse aid is released during the final rinse to prevent water from forming droplets on your dishes, which can leave spots and streaks. It also improves drying by allowing water to run off the dishes. Your dishwasher is designed to use liquid rinse aids.

## **WARNING**

Only use branded rinse aid for dishwasher. Never fill the rinse aid dispenser with any other substances (e.g. Dishwasher cleaning agent, liquid detergent).  
This would damage the appliance.

### When to refill the rinse aid

The regularity of the dispenser needing to be refilled depends on how often dishes are washed and the rinse aid setting used.

- The Low Rinse Aid indicator (  ) will be lit when more rinse aid is needed.
- Do not overfill the rinse aid dispenser.

### Function of detergent

• The chemical ingredients that compose the detergent are necessary to remove, crush and dispense all dirt out of the dishwasher.

- Most of the commercial quality detergents are suitable for this purpose.

## WARNING

### Proper Use of Detergent

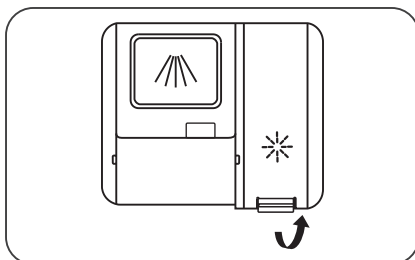
- Use only detergent specifically made for dishwashers use. Keep your detergent fresh and dry.

- Do not fill detergent into the dispenser until you are ready to start the dishwasher

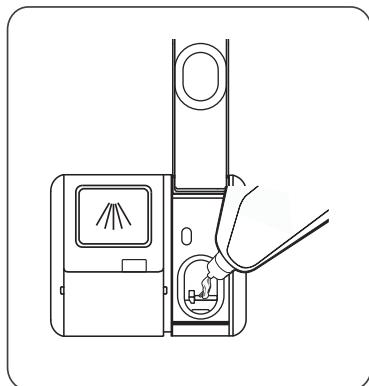
**Dishwasher detergent is corrosive! Keep dishwasher detergent out of the reach of children.**

### Filling the rinse aid reservoir

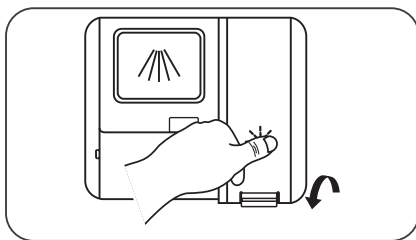
1. Remove the rinse reservoir cap by lifting up the handle.



2. Pour the rinse aid into the dispenser, being careful not to overfill.



3. Close the cap after all.



#### Adjusting the rinse aid reservoir

To achieve a better drying performance with limited rinse aid, the dishwasher is designed to adjust the consumption by user. Follow the below steps.

1. Open the door, switch on the appliance.

2. Within 60 seconds after the appliance was switched on press the Rapid button for more than 5 seconds, and then press the «+» button to enter the set model, the rinse aid indication blinks as 1Hz frequency.

3. Press the Rapid button again to select the proper set according to your using habits, the setting will change in the following sequence: D1->D2->D3->D4->D5->D1. The higher the number, the more rinse aid the dishwasher uses.

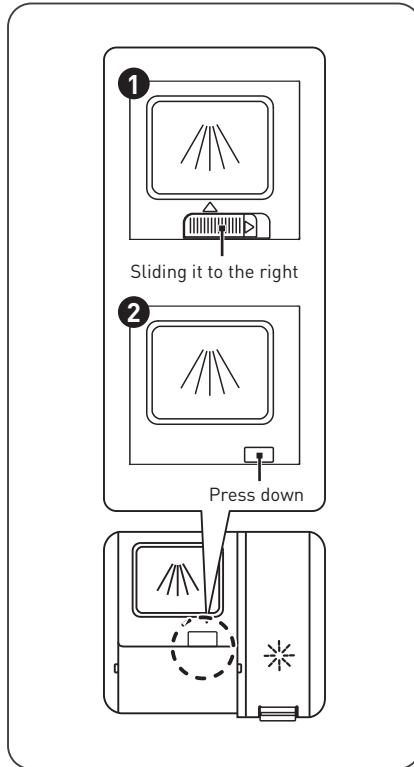
4. Without operation in 5 seconds or press the Power button to complete the setup and exit the setting mode.



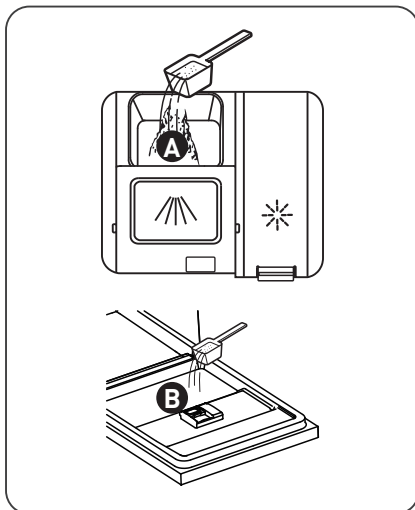
Filling the detergent dispenser

1. Please choose an open way according to the actual situation.

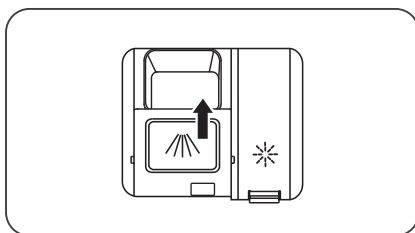
- 1 Open the cap by sliding the release catch.
- 2 Open the cap by pressing down the release latch.



2. Add detergent into the larger cavity **A** for main wash. For better cleaning result, especially if you have very dirt items, pour a small amount of detergent onto the door. The additional detergent will activate during the pre-wash phase.



3. Close the flap by sliding it to the front and then pressing it down.



## NOTE







Please observe the manufacturer's recommendations on the detergent packaging.

## Programming the dishwasher

### Wash Cycle Table

• The table below shows which programs are best for the levels of food residue on them and how much detergent is needed. It also show various information about the programs.

(●) Means: need to fill rinse into the Rinse-Aid Dispenser.

Program	Description of cycle	Detergent pre/main wash	Running time(min)	Energy (kWh)	Water (L)	Rinse aid
 <b>Auto</b>	Pre-wash(45°C) Autowash (55-65°C) Rinse Rinse(50-55°C) Drying	$\frac{4}{18g}$ (1 or 2 tabs)	85-150	0.850-1.550	8.5-18.0	●
 <b>Intensive</b>	Pre-wash(50°C) Wash(65°C) Rinse Rinse Rinse(60°C) Drying	$\frac{4}{18g}$ (1 or 2 tabs)	205	1.500	16.6	●
 <b>Universal</b>	Pre-wash(45°C) Wash(55°C) Rinse Rinse(55°C) Drying	$\frac{4}{18g}$ (1 or 2 tabs)	173	0.980	13.6	●
<b>ECO</b> (*EN60436)	Pre-wash Wash(50°C) Rinse Rinse(50°C) Drying	$\frac{4}{18g}$ (1 or 2 tabs)	220	0.645	9.8	●
 <b>Glass</b>	Pre-wash Wash(50°C) Rinse(50°C) Rinse(50°C) Drying	$\frac{4}{18g}$ (1 or 2 tabs)	120	0.950	13.5	●
 <b>90 Min</b>	Wash(60°C) Rinse Rinse(50°C) Drying	$\frac{22g}{(1 \text{ tab})}$	90	1.180	12.5	●
 <b>Rapid</b>	Wash(45°C) Rinse(45°C)	$\frac{12g}{(1 \text{ tab})}$	30	0.820	11.2	○

**NOTE**

ECO (\*EN60436) : The ECO program is suitable to clean normally soiled tableware, that for this use, it is the most efficient program in terms of its combined energy and water consumption, and it is used to assess compliance with the EU ecodesign legislation.

**Saving energy**

1. Pre-rinsing of tableware items leads to increased water and energy consumption and is not recommended.
2. Washing tableware in a household dishwasher usually consumes less energy and water in the use phase than hand dishwashing when the household dishwasher is used according to the instructions.

**Starting a program**

1. Draw out the lower and upper basket, load the dishes and push them back. It is commended to load the lower basket first, then the upper one.
2. Pour in the detergent.
3. Insert the plug into the socket. The power supply refer to last page "Product fiche". Make sure that the water supply is turned on to full pressure.
4. Open the door, Press the power button.
5. Choose a program, the response light will turn on. Then close the door, the dishwasher will start its cycle.

**Changing the program mid-cycle**

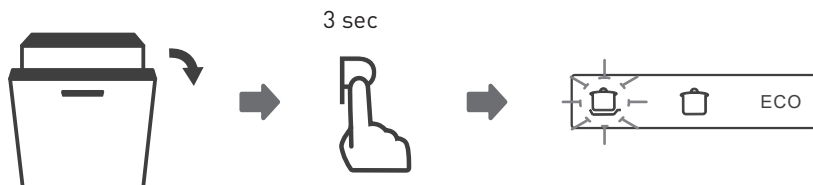
- A programme can only be changed if it has been running only for a short period of time, otherwise the detergent may have already been released or the the wash water with detergent has already been drained. If this is the case, the dishwasher needs to be reset and the detergent dispenser must be refilled.

To reset the dishwasher, follow the instructions below:

1. Open the door a little to stop the dishwasher, after the spray arm stopped working, you can open the door completely.

2. Press any program button more than three seconds the machine will be in program selection mode.

3. You can change the program to the desired cycle setting.



### Forget to add a dish?

A forgotten dish can be added any time before the detergent dispenser opens. If this is the case, follow the instructions below:

1. Open the door a little to stop the washing.
2. After the spray arms stopped working, you can open the door completely.
3. Add the forgotten dishes.
4. Close the door.
5. The dishwasher will start running again.



### WARNING

It is dangerous to open the door mid-cycle, as hot steam may scald you.



**Auto Open**

After washing, the door will open automatically to achieve better drying effect.

**NOTE**

The dishwasher door must not be blocked when set to open automatically. This can disrupt door lock functionality.



Automatic door opening is enabled by default and operate on all programs except the short programs (i.e. the quick program and the soaking program, if present on your appliance). The automatic opening function cannot be deactivated.

acti  
door

## Maintenance and cleaning

### External care

#### The door and the door seal

- Clean the door seals regularly with a soft damp cloth to remove food deposits.
- When the dishwasher is being loaded, food and drink residues may drip onto the sides of the dishwasher door.
- These surfaces are outside the wash cabinet and are not accessed by water from the spray arms.
- Any deposits should be wiped off before the door is closed.

#### The control panel

- If cleaning is required, the control panel should be wiped with a soft damp cloth only.

### **WARNING**

- To avoid penetration of water into the door lock and electrical components, do not use a spray cleaner of any kind.
- Never use abrasive cleaners or scouring pads on the outer surfaces because they may scratch the finish. Some paper towels may also scratch or leave marks on the surface.

## Internal care

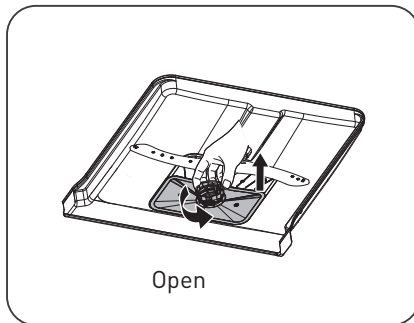
### Filtering system

- The filtering system in the base of the wash cabinet retains coarse debris from the washing cycle, including foreign objects such as tooth picks or shards. The collected coarse debris may cause the filters to clog. Check the condition of the filters regularly, carefully remove foreign objects and clean the parts of the filtering system if necessary with water.
- Follow the steps below to clean the filter.

#### **NOTE**

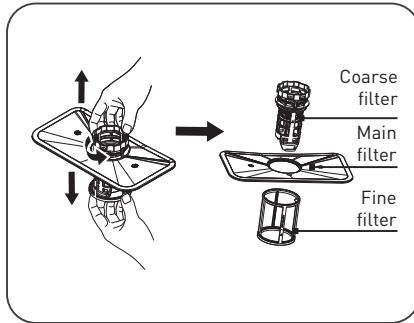
Pictures are only for reference, different models of the filtering system and spray arms may be different.

1. Hold the coarse filter and rotate it anticlockwise to unlock the filter. Lift the filter upwards and out of the dishwasher.

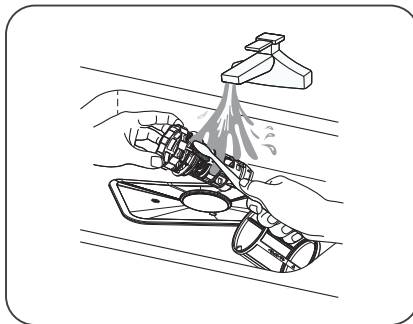




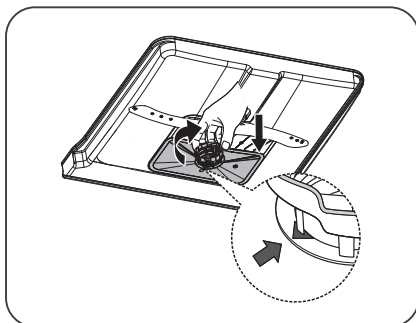
2. The fine filter can be pulled off the bottom of the filter assembly. The coarse filter can be detached from the main filter by gently squeezing the tabs at the top and pulling it away.



3. Larger food remnants can be cleaned by rinsing the filter under running water. For a more thorough clean, use a soft cleaning brush.



4. Reassemble the filters in the reverse order of the disassembly, replace the filter insert, and rotate clockwise to the close arrow.



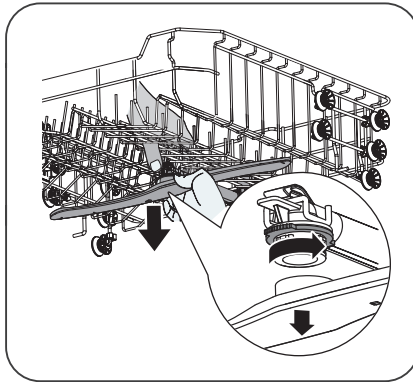
### WARNING

- Do not over tighten the filters. Put the filters back in sequence securely, otherwise coarse debris could get into the system and cause a blockage.
- Never use the dishwasher without filters in place. Improper replacement of the filter may reduce the performance level of the appliance and damage dishes and utensils.

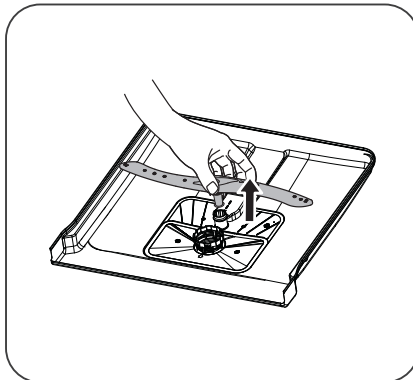
### Spray arm

- It is necessary to clean the spray arm regularly for hard water chemicals will clog the spray arm jets and bearings.
- To clean the spray arm, follow the instructions below:

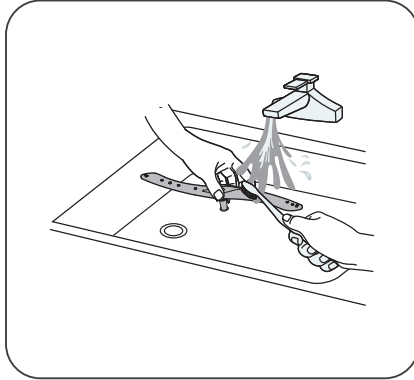
1. To remove the upper spray arm, hold the nut in the center still and rotate the spray arm counterclockwise to remove it.



2. To remove the lower spray arm, pull out the spray arm upward.



3. Wash the arms in soapy and warm water and use a soft brush to clean the jets.



## Caring for the dishwasher

### Frost precaution

• Please take frost protection measures on the dishwasher in winter. Every time after washing cycles, please operate as follows:

1. Cut off the electrical power to the dishwasher at the supply source.
2. Turn off the water supply and disconnect the water inlet pipe from the water valve.
3. Drain the water from the inlet pipe and water valve. (Use a pan to gather the water)

4. Reconnect the water inlet pipe to the water valve.
5. Remove the filter at the bottom of the tub and use a sponge to soak up water in the sump.

#### After every wash

- After every wash, turn off the water supply to the appliance and leave the door slightly open for a while so that moisture and odors are not trapped inside.

#### Remove the plug

- Before cleaning or performing maintenance, always remove the plug from the socket.

#### No solvents or abrasive cleaning

- To clean the exterior and rubber parts of the dishwasher, do not use solvents or abrasive cleaning products. Only use a cloth with warm soapy water.
- To remove spots or stains from the surface of the interior, use a cloth dampened with water and a little vinegar, or a cleaning product made specifically for dishwashers.

#### When not in use for a long time

- It is recommended that you run a wash cycle with the dishwasher empty and then remove the plug from the socket, turn off the water supply and leave the door of the appliance slightly open. This will help the door seals to last longer and prevent odors from forming within the appliance.

### Moving the appliance

- If the appliance must be moved, try to keep it in the vertical position. If absolutely necessary, it can be positioned on its back.

### Seals

- One of the factors that cause odours to form in the dishwasher is food that remains trapped in the seals. Periodic cleaning with a damp sponge will prevent this from occurring.

## Troubleshooting tips

### Before calling for service

Reviewing the charts on the following pages may save you from calling for service

Problem	Possible causes	What to do
Dishwasher doesn't start	Fuse blown, or the circuit break tripped.	<ul style="list-style-type: none"> <li>• Replace fuse or reset circuit breaker.</li> <li>• Remove any other appliances sharing the same circuit with the dishwasher.</li> </ul>
	Power supply is not turned on.	<ul style="list-style-type: none"> <li>• Make sure the dishwasher is turned on and the door is closed securely.</li> <li>• Make sure the power cord is properly plugged into the wall socket.</li> </ul>
	Water pressure is low	<ul style="list-style-type: none"> <li>• Check that the water supply is connected properly and the water is turned on.</li> </ul>
Water not pumped from dishwasher	Door of dishwasher not properly closed.	<ul style="list-style-type: none"> <li>• Make sure to close the door properly and latch it.</li> </ul>
	Twisted or trapped drain hose.	<ul style="list-style-type: none"> <li>• Check the drain hose.</li> </ul>
	Filter clogged.	<ul style="list-style-type: none"> <li>• Check the filter system.</li> </ul>
	Kitchen sink clogged.	<ul style="list-style-type: none"> <li>• Check the kitchen sink to make sure it is draining well. If the problem is the kitchen sink that is not draining, you may need a plumber rather than a serviceman for dishwashers.</li> </ul>

Problem	Possible causes	What to do
Foam in the tub	Wrong detergent.	<ul style="list-style-type: none"> <li>• Use only the special dishwasher detergent to avoid suds. If this occurs, open the dishwasher and let suds evaporate. Add 1 liter of cold water to the bottom of the dishwasher.</li> <li>• Close the dishwasher door, then select any cycle. Initially, the dishwasher will drain out the water. Open the door after draining stage is complete and check if the suds have disappeared.</li> </ul>
Stained tub interior	Spilled rinse aid. Detergent with colourant may have been used.	<ul style="list-style-type: none"> <li>• Repeat if necessary.</li> <li>• Always wipe up rinse aid spills immediately.</li> <li>• Make sure that the detergent has no colourant.</li> </ul>
White film on inside surface	Hard water minerals.	<ul style="list-style-type: none"> <li>• To clean the interior, use the damp soft cloth with dishwasher detergent and wear rubber gloves. Never use any other cleaner than dishwasher detergent for the risk of foaming or suds.</li> </ul>
There are rust stains on cutlery	The affected items are not corrosion resistant.	<ul style="list-style-type: none"> <li>• Avoid washing items that are not corrosion resistant in the dishwasher.</li> </ul>
	A program was not run after dishwasher salt was added. Traces of salt have gotten into the wash cycle.	<ul style="list-style-type: none"> <li>• Always run the quick wash program. without any crockery in the dishwasher and without selecting the Turbo function (if present), after adding dishwasher salt.</li> </ul>
	The lid of the softer is loose.	<ul style="list-style-type: none"> <li>• Check the softener lid is secure.</li> </ul>



Problem	Possible causes	What to do
Knocking noise in the dishwasher	A spray arm is knocking against an item in a basket	<ul style="list-style-type: none"> <li>Interrupt the program and rearrange the items which are obstructing the spray arm.</li> </ul>
Rattling noise in the dishwasher	Items of crockery are loose in the dishwasher.	<ul style="list-style-type: none"> <li>Interrupt the program, and rearrange the items of crockery.</li> </ul>
Knocking noise in the water pipes	This may be caused by on-site installation or the cross-section of the piping.	<ul style="list-style-type: none"> <li>This has no influence on the dishwasher function. If in doubt, contact a qualified plumber.</li> </ul>
The dishes are not clean	The dishes were not loaded correctly.	<ul style="list-style-type: none"> <li>See "Preparing And Loading Dishes".</li> </ul>
	The program was not powerful enough.	<ul style="list-style-type: none"> <li>Select a more intensive program.</li> </ul>
	Not enough detergent was dispensed.	<ul style="list-style-type: none"> <li>Use more detergent, or change your detergent.</li> </ul>
	Items are blocking the movement of the spray arms.	<ul style="list-style-type: none"> <li>Rearrange the items so that the spray can rotate freely.</li> </ul>
Cloudiness on glassware.	Combination of soft water and too much detergent.	<ul style="list-style-type: none"> <li>Clean and/or fit the filter correctly. Clean the spray arm jets.</li> </ul>
		<ul style="list-style-type: none"> <li>Use less detergent if you have soft water and select a shorter cycle to wash the glassware and to get them clean.</li> </ul>
White spots appear on dishes and glasses.	Hard water area can cause limescale deposits.	<ul style="list-style-type: none"> <li>Check water softener settings or fill status of salt container.</li> </ul>
Black or grey marks on dishes	Aluminium utensils have rubbed against dishes	<ul style="list-style-type: none"> <li>Use a mild abrasive cleaner to eliminate those marks.</li> </ul>

Problem	Possible causes	What to do
Detergent left in dispenser	Dishes block detergent dispenser	<ul style="list-style-type: none"> <li>• Re-loading the dishes properly.</li> </ul>
The dishes aren't drying	Improper loading	<ul style="list-style-type: none"> <li>• Use gloves if detergent residue can be found on dishes to avoid skin irritations.</li> </ul>
	Dishes are removed too soon	<ul style="list-style-type: none"> <li>• Do not empty your dishwasher immediately after washing. Open the door slightly so that the steam can come out. Take out the dishes until the inside temperature is safe to touch. Unload the lower basket first to prevent the dropping water from the upper basket.</li> </ul>
	Wrong program has been selected.	<ul style="list-style-type: none"> <li>• With a short program, the washing temperature is lower, decreasing cleaning performance. Choose a program with a long washing time.</li> </ul>
	Use of cutlery with a low-quality coating.	<ul style="list-style-type: none"> <li>• Water drainage is more difficult with these items. Cutlery or dishes of this type are not suitable for washing in the dishwasher.</li> </ul>

## WARNING

Self-repair or non-professional repair may cause serious risks to the safety of the user of the appliance and impact warranty.

### **Availability Of Spare Parts**

#### Seven years after placing the last unit of the model on the market:

Motor, circulation and drain pump, heaters and heating elements, including heat pumps (separately or bundled), piping and related equipment including all hoses, valves, filters and aqua stops, structural and interior parts related to door assemblies (separately or bundled), printed circuit boards, electronic displays, pressure switches, thermostats and sensors, software and firmware including reset software.

#### Ten years after placing the last unit of the model on the market:

Door hinge and seals, other seals, spray arms, drain filters, interior racks and plastic peripherals such as baskets and lids.

## Error codes

If there is a malfunction the dishwasher will display an error code. The following table shows possible error codes and their causes.

Codes	Meanings	Possible causes
<b>E1</b>	Longer inlet time.	Faucets is not opened, or water intake is restricted, or water pressure is too low.
<b>E3</b>	Not reaching required temperature.	Malfunction of heating element.
<b>E4</b>	Overflow.	Some element of dishwasher leaks.
<b>E8</b>	Failure of orientation of distributary valve.	Open circuit or break of distributary valve.
<b>E9</b>	Keep pressing a button more than 30 seconds.	Water or something on the button.
<b>Ec</b>	Washing control system fail.	PCB or motor fail.
<b>Ed</b>	Failure of communication between main circuit board with display circuit board.	Open circuit or break wiring for the communication.

### WARNING

- If overflow occurs, turn off the main water supply before calling a service.
- If there is water in the base pan because of an overflow or small leak, the water should be removed before restarting the dishwasher.
- If there is an error code that cannot be solved, please request professional assistance.

## Usage counter

When the power cord is connected, but the dishwasher is not turned on, press and hold the Delay button «+» for 5 seconds, the dishwasher display will show the usage count.



Example:

632: Show «000» for two seconds, then show «632» for two seconds, at last it will be off.

9080: Show «009» for two seconds, then show «080» for two seconds, at last it will be off.



# Merci !

Nous vous remercions d'avoir choisi ce produit VALBERG.

Choisis, testés et recommandés par ELECTRO DEPOT, les produits de la marque VALBERG sont simples d'utilisation, tout en offrant des performances fiables et une qualité irréprochable.

Grâce à cet appareil, vous êtes assuré(e) que chaque utilisation vous apportera satisfaction.

Bienvenue chez ELECTRO DEPOT.

Consultez notre site Internet : [www.electrodepot.fr](http://www.electrodepot.fr)

## A

### Aperçu de l'appareil

Présentation du produit

---

## B

### Utilisation de l'appareil

Utilisation de votre lave-vaisselle  
Instructions d'installation  
Chargement des paniers  
Utilisation du compartiment à couverts  
Installation de la bande insonorisante  
Guide d'utilisation rapide  
Utilisation de votre lave-vaisselle  
Programmation du lave-vaisselle

---

## C

### Informations pratiques

Entretien et nettoyage  
Conseils de dépannage  
Codes d'erreur  
Compteur d'utilisation



## Présentation du produit

### IMPORTANT

Pour que votre lave-vaisselle donne des résultats optimaux, lisez toutes les consignes d'utilisation avant de l'utiliser pour la première fois.

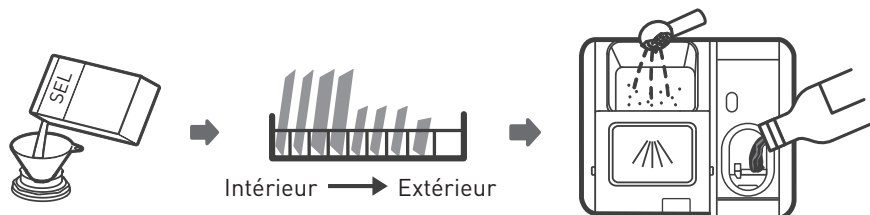
- ① Tuyau intérieur
- ② Compartiment à sel
- ③ Compartiment
- ④ Bras de lavage supérieur
- ⑤ Bras de lavage inférieur
- ⑥ Groupe filtre
- ⑦ Compartiment à couverts
- ⑧ Panier supérieur
  - Ⓐ Bras de lavage supérieur
  - Ⓑ Étagère à tasses
- ⑨ Panier inférieur

### REMARQUE

Les illustrations sont fournies à titre indicatif uniquement, les caractéristiques varient selon les modèles.

## Utilisation de votre lave-vaisselle

- Avant d'utiliser votre lave-vaisselle :



1. Réglez l'adoucisseur d'eau
2. Chargez le sel dans l'adoucisseur d'eau
3. Chargez le panier
4. Remplissez le compartiment à détergent

### REMARQUE

Veillez consulter le chapitre « Adoucisseur d'eau » si vous devez régler l'adoucisseur d'eau.

### Chargement du sel dans l'adoucisseur d'eau

- Si votre modèle ne possède pas d'adoucisseur d'eau, vous pouvez passer ce chapitre.
- Employez toujours du sel destiné à être utilisé dans un lave-vaisselle.
- Le compartiment à sel se trouve sous le panier inférieur et doit être rempli comme suit :

### AVERTISSEMENT

**Utilisez uniquement du sel conçu spécifiquement pour les lave-vaisselle !**

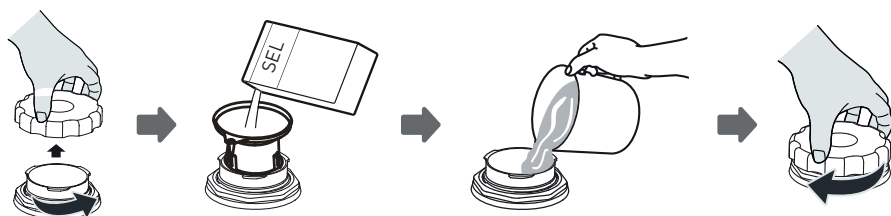
Tout autre type de sel qui n'est pas spécifiquement destiné à être utilisé dans un lave-vaisselle, en particulier le sel de table, endommagerait l'adoucisseur d'eau. En cas de dommages imputables à l'utilisation d'un sel inapproprié, le fabricant décline toute garantie ainsi que toute responsabilité quant aux dommages causés.

**AVERTISSEMENT**

**Attendez d'être prêt(e) à lancer un cycle de lavage avant de remplir le réservoir de sel.**


Ceci évitera que d'éventuels grains de sel ou de l'eau salée qui auraient été renversés et seraient restés au fond de la machine pendant un certain temps ne génèrent de la corrosion

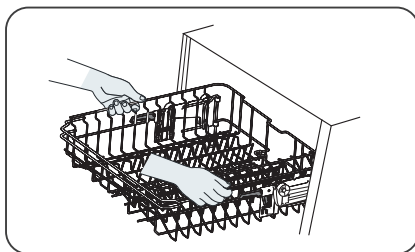
- Suivez les étapes ci-dessous pour ajouter du sel régénérant :



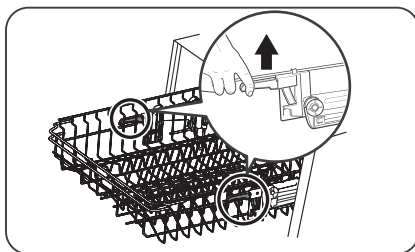
1. Sortez le panier inférieur et dévissez le bouchon du compartiment.
2. Placez l'extrémité de l'entonnoir (si fourni) dans l'orifice et versez-y environ 1,5 kg de sel régénérant.
3. Remplissez d'eau le compartiment à sel jusqu'à la limite maximale. Il est normal qu'une petite quantité d'eau ressorte du compartiment.
4. Après avoir rempli le compartiment, revissez bien le bouchon.
5. Le témoin lumineux du sel s'éteindra une fois que le compartiment aura été rempli de sel.
6. Immédiatement après avoir rempli le compartiment à sel, il faut lancer un programme de lavage (nous vous suggérons d'utiliser un programme court). Dans le cas contraire, le système de filtration, la pompe ou d'autres pièces importantes de la machine pourraient être endommagés par l'eau salée. Ce type d'incident n'est pas couvert par la garantie.

**REMARQUE**

- Le compartiment à sel ne doit être rempli que lorsque le témoin lumineux correspondant  s'allume sur le panneau de commande. Selon la facilité avec laquelle le sel se dissout, il est possible que le témoin lumineux du sel reste allumé, bien que le compartiment soit rempli. En l'absence d'un témoin du sel sur le panneau de commande (pour certains modèles), le moment où vous devrez remplir le compartiment de sel peut être estimé en fonction du nombre de cycles effectués par le lave-vaisselle.
- Si vous avez renversé du sel, lancez un programme rapide ou de trempage pour l'éliminer.

**Conseils pour le chargement des paniers**Réglage du panier supérieur

1. Pour remonter le panier supérieur, il suffit de soulever le panier supérieur en plaçant les mains au milieu de chaque côté, jusqu'à ce que le panier s'enclenche en position haute. Il n'est pas nécessaire de soulever les poignées de réglage.



2. Pour abaisser le panier supérieur, soulevez les poignées de réglage de chaque côté afin de libérer le panier et placez-le en position basse.

#### Repliage des étagères à tasses

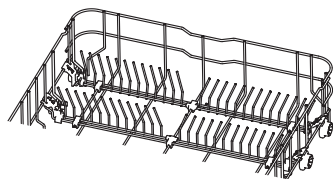
Pour faire de la place pour des objets de plus grande taille dans le panier supérieur, soulevez l'étagère à tasses vers le haut. Vous pourrez alors adosser les grands verres sur l'étagère.



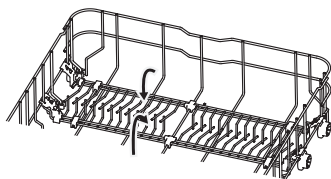
#### Repliage des tiges

Les tiges du panier inférieur servent à tenir des assiettes et des plats. Elles peuvent être abaissées pour faire de la place pour de grands objets.

Soulever vers le haut



Rabattre vers l'arrière



## Instructions d'installation

### AVERTISSEMENT

#### Risque de choc électrique

Débranchez l'alimentation électrique avant d'installer le lave-vaisselle.

Le non-respect de cette consigne pourrait entraîner la mort ou provoquer un choc électrique.

### AVERTISSEMENT

L'installation des tuyaux et des équipements électriques doit être réalisée par des professionnels.

## Informations sur les branchements électriques

### AVERTISSEMENT

Pour votre sécurité personnelle :

- N'utilisez pas de rallonge ni d'adaptateur avec cet appareil.
- Vous ne devez en aucun cas couper ou retirer la connexion à la terre du cordon d'alimentation.

### Exigences en matière d'électricité

Veillez consulter l'étiquette énergétique pour obtenir des informations sur la tension nominale et brancher le lave-vaisselle à une source d'alimentation appropriée. Utilisez le fusible requis de 10 A/13 A/16 A, le fusible temporisé ou le disjoncteur recommandé et prévoyez un circuit séparé alimentant uniquement cet appareil.

### Raccordement électrique

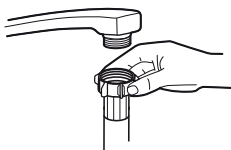
Assurez-vous que la tension et la fréquence de l'alimentation électrique correspondent à celles indiquées sur la plaque signalétique. Ne branchez la fiche dans une prise de courant que si cette dernière est correctement mise à la terre. Si la prise de courant à laquelle l'appareil doit être branché n'est pas adaptée à la fiche, remplacez la prise plutôt que d'utiliser un adaptateur ou un dispositif similaire, qui risquerait de provoquer une surchauffe et des brûlures.

**AVERTISSEMENT**

Vérifiez que l'appareil est correctement mis à la terre avant de l'utiliser

**Arrivée et évacuation d'eau**Raccordement à l'eau froide

- Raccordez le tuyau d'alimentation en eau froide à un raccord fileté de 1,9 cm et assurez-vous qu'il est bien serré.
- Si les tuyaux d'alimentation sont neufs ou n'ont pas été utilisés depuis longtemps, faites couler l'eau pour vérifier qu'elle est claire.
- Cette précaution est nécessaire pour éviter un risque de blocage de l'arrivée d'eau, ce qui pourrait endommager l'appareil.



Tuyau d'alimentation standard



Tuyau d'alimentation de sécurité

À propos du tuyau d'alimentation de sécurité

- Le tuyau d'alimentation de sécurité comporte une double paroi. Ce système garantit son intervention, en bloquant le flux d'eau en cas de rupture du tuyau d'alimentation, et quand l'espace entre le tuyau d'alimentation lui-même et le tuyau ondulé extérieur est rempli d'eau.

**AVERTISSEMENT**

Un tuyau relié à une douchette d'évier peut éclater s'il est installé sur la même conduite d'eau que le lave-vaisselle. Si votre évier en est équipé, il est recommandé de débrancher le tuyau et de boucher le trou.

Comment raccorder le tuyau d'alimentation de sécurité

1. Sortez complètement le tuyau d'alimentation de sécurité du compartiment de rangement situé à l'arrière du lave-vaisselle.
2. Serrez les vis du tuyau d'alimentation de sécurité sur un robinet ayant un filetage de 1,9 cm.
3. Ouvrez complètement l'arrivée d'eau avant de démarrer le lave-vaisselle.

Comment débrancher le tuyau d'alimentation de sécurité ?

1. Fermez l'arrivée d'eau.
2. Dévissez le tuyau d'alimentation de sécurité du robinet.

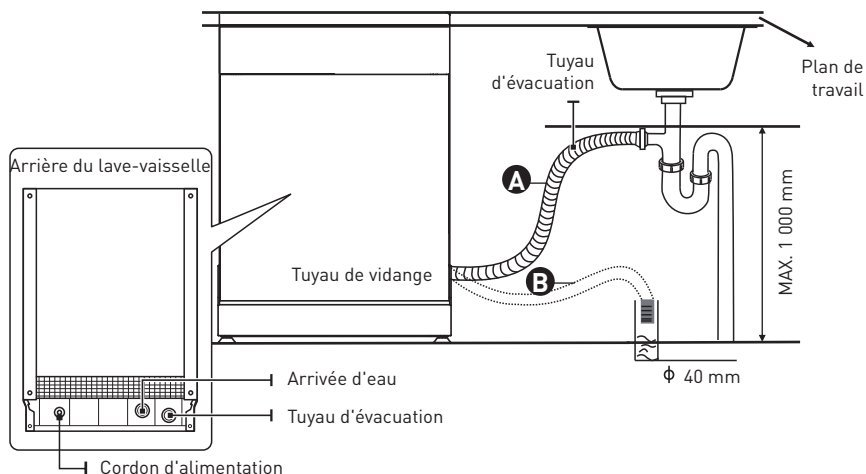
**Raccordement des tuyaux de vidange**

Insérez le tuyau de vidange dans un tuyau d'évacuation d'un diamètre minimum de 4 cm, ou laissez-le couler dans l'évier, en vous assurant d'éviter de le plier ou de le pincer. La hauteur du tuyau d'évacuation ne doit pas dépasser 1 000 mm. L'extrémité libre du tuyau ne doit pas être plongée dans l'eau pour éviter un retour d'eau.

**AVERTISSEMENT**

Veillez à bien fixer le tuyau de vidange soit en position **A** soit en position **B**





### Évacuation de l'excédent d'eau des tuyaux

Si le raccord au tuyau d'évacuation est positionné à plus de 1 000 mm de haut, de l'eau peut rester dans le tuyau. Il sera nécessaire de vider l'eau du tuyau dans un bol ou un autre récipient adapté, situé à l'extérieur et plus bas que l'évier.

### Sortie d'eau

- Raccordez le tuyau de vidange. Veillez à bien le fixer pour éviter les fuites d'eau.
- Assurez-vous que le tuyau de vidange n'est pas tordu ou écrasé.

### Rallonge de tuyau

- Si vous avez besoin d'une rallonge de tuyau de vidange, assurez-vous d'utiliser un tuyau de vidange similaire.
- Celui-ci ne doit pas mesurer plus de 4 mètres, sinon les performances de nettoyage de votre lave-vaisselle pourraient s'en trouver réduites.

### Raccordement du siphon

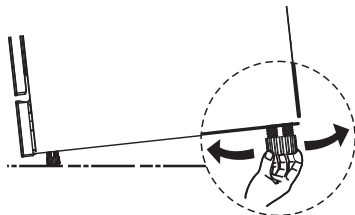
Le raccord des eaux usées doit se trouver à une hauteur inférieure à 1 000 mm du bas de l'appareil.

### Positionnement de l'appareil

- Placez le lave-vaisselle à l'endroit souhaité. L'arrière de l'appareil doit reposer contre le mur situé derrière lui, et les côtés contre les meubles ou murs adjacents.
- Ce lave-vaisselle est muni de tuyaux de vidange et d'alimentation en eau qui peuvent être positionnés sur le côté gauche ou droit pour faciliter l'installation.

### Mise à niveau de l'appareil

Une fois l'appareil positionné à l'emplacement requis, la hauteur du lave-vaisselle peut être modifiée en tournant les pieds de réglage. L'appareil ne doit en aucun cas être incliné de plus de 2°.

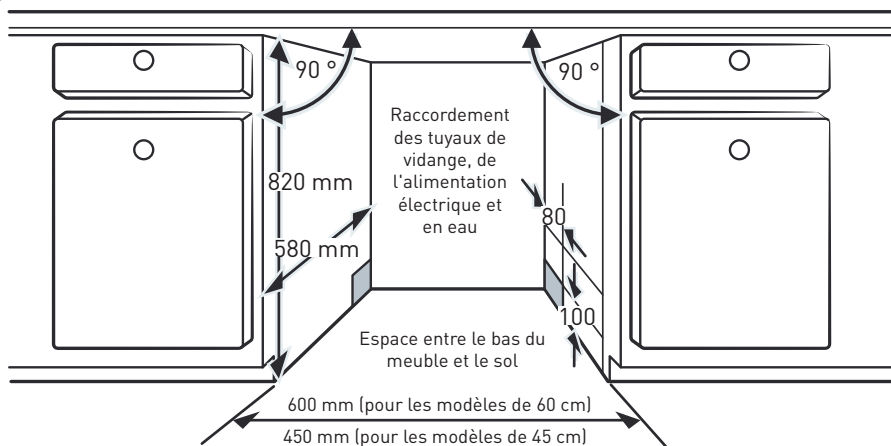


### Installation encadrée (pour le modèle intégré)

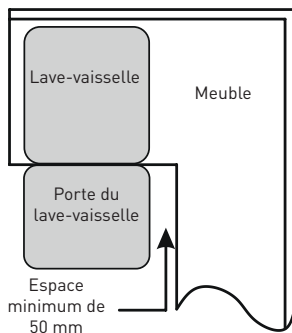
#### Étape 1. Choix du meilleur emplacement pour le lave-vaisselle

- Le lave-vaisselle doit être installé à proximité de la prise de courant, de l'arrivée d'eau et du tuyau de vidange existants.
- Illustration des dimensions du meuble et de la position d'installation du lave-vaisselle.

1. Moins de 5 mm entre le haut du lave-vaisselle et le meuble, ainsi que la porte extérieure alignée sur le meuble.



2. Si vous installez le lave-vaisselle dans l'angle d'un meuble, vous devez prévoir un espace suffisant pour l'ouverture de la porte.



### REMARQUE

Selon l'endroit où se trouve votre prise électrique, il est possible qu'il soit nécessaire de pratiquer une ouverture dans le côté opposé du meuble.

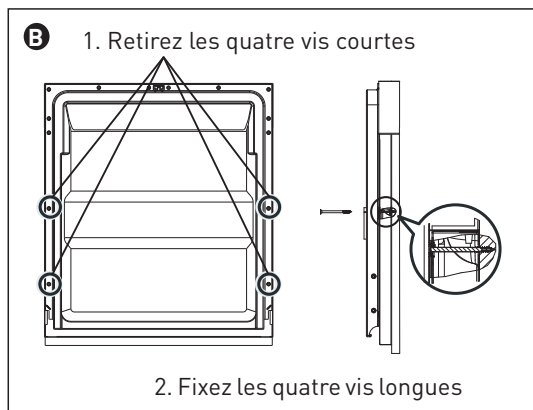
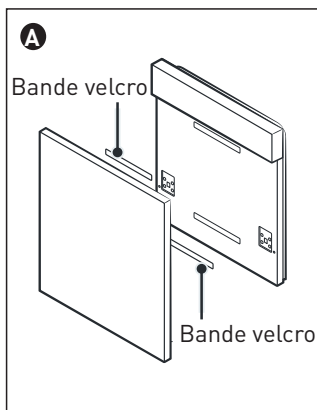
#### Étape 2. Dimensions et installation de la façade

### REMARQUE

Suivez les instructions d'installation spécifiques pour fixer la façade.

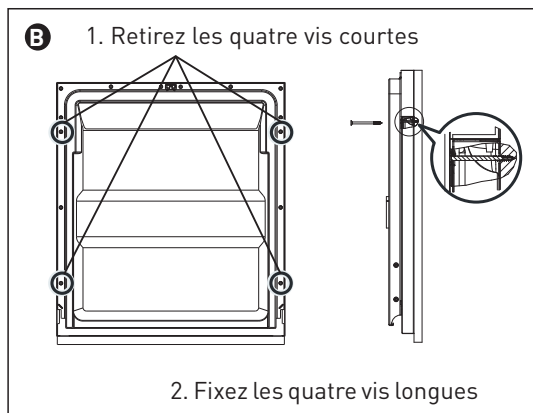
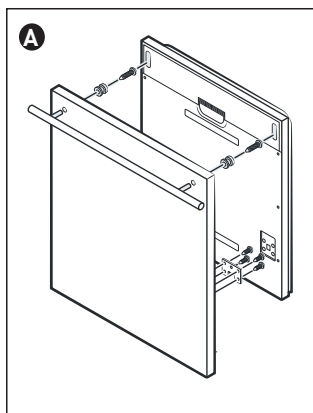
#### Modèle semi-encastré

- Détachez la bande velcro **A** de la bande velcro **B** et fixez la bande velcro **A** sur la face intérieure de la façade. Fixez la bande velcro feutrée **B** sur la porte extérieure du lave-vaisselle (voir figure **A**). Après avoir positionné la façade, fixez-la sur la porte extérieure à l'aide de vis et de boulons (voir figure **B**).



### Modèle entièrement encastré

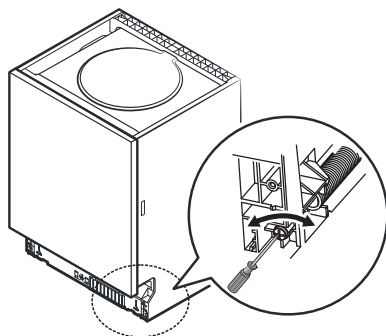
- Installez le crochet sur la façade et insérez-le dans la fente de la porte extérieure du lave-vaisselle (voir figure **A**). Après avoir positionné la façade, fixez-la sur la porte extérieure à l'aide de vis et de boulons (voir figure **B**).



### Étape 3. Réglage de la tension des ressorts de la porte

1. Les ressorts de porte sont réglés en usine avec une tension adaptée à la porte extérieure. Si vous installez une façade, vous devrez régler la tension des ressorts de la porte. Tournez la vis de réglage afin d'entraîner le tendeur et de tendre ou détendre le câble en acier.

2. La tension des ressorts de la porte est correcte lorsque la porte reste à l'horizontale en position complètement ouverte, mais remonte en position fermée d'une simple pression du doigt.



#### Étape 4. Étapes d'installation du lave-vaisselle

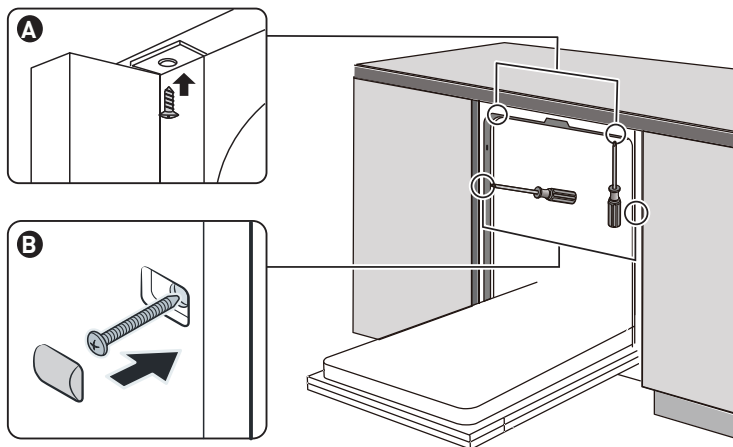
### REMARQUE

Veillez vous référer aux étapes d'installation spécifiques dans les schémas correspondants.

1. Fixez la bande de condensation sous la surface du plan de travail du meuble. Assurez-vous que la bande de condensation est bien alignée avec le bord du plan de travail. (Étape 2)
2. Branchez le tuyau d'alimentation sur l'arrivée d'eau froide.
3. Connectez le tuyau de vidange.
4. Branchez le cordon d'alimentation.
5. Placez le lave-vaisselle dans le meuble.
6. Mettez le lave-vaisselle de niveau. Le pied arrière peut être réglé depuis l'avant du lave-vaisselle en tournant la vis cruciforme au milieu de la base du lave-vaisselle, à l'aide d'un tournevis cruciforme. Pour régler les pieds avant, utilisez un tournevis plat et tournez les pieds avant jusqu'à ce que le lave-vaisselle soit de niveau. (Étapes 5 à 6)
7. Installez la porte du meuble sur la porte extérieure du lave-vaisselle. (Étapes 7 à 10)
8. Réglez la tension des ressorts de la porte à l'aide d'un tournevis cruciforme, en tournant dans le sens des aiguilles d'une montre pour resserrer les ressorts de la porte sur la gauche et sur la droite. Si vous ne respectez pas cette consigne, vous risquez d'endommager votre lave-vaisselle. (Étape 11)
9. Le lave-vaisselle doit être fixé en place. Il existe pour cela deux façons de procéder :

**A** Plan de travail standard : insérez le crochet d'installation dans l'encoche du panneau latéral et fixez-le au plan de travail à l'aide des vis.

**B** Plan de travail en marbre ou granit : Fixez le côté à l'aide des vis.



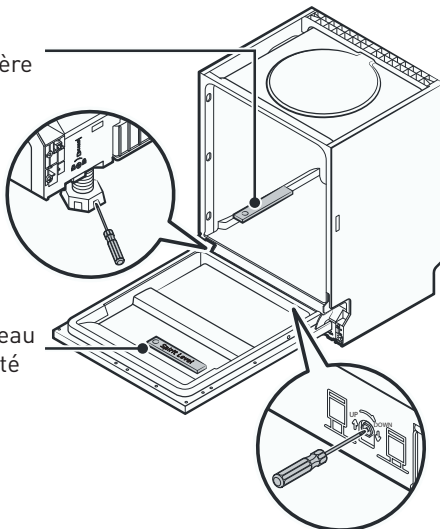
#### Étape 5. Mise à niveau du lave-vaisselle

Le lave-vaisselle doit être de niveau pour un bon fonctionnement du panier à vaisselle et des performances de lavage optimales.

1. Placez un niveau à bulle sur la porte et sur le rail à l'intérieur de la cuve, de la manière indiquée, pour vérifier que l'appareil est de niveau.
2. Mettez le lave-vaisselle de niveau en réglant chacun des trois pieds réglables.
3. Lorsque vous mettez le lave-vaisselle de niveau, veillez à ne pas le faire basculer.

Vérifiez le niveau  
à l'avant et à l'arrière

Vérifiez le niveau  
de chaque côté



## REMARQUE

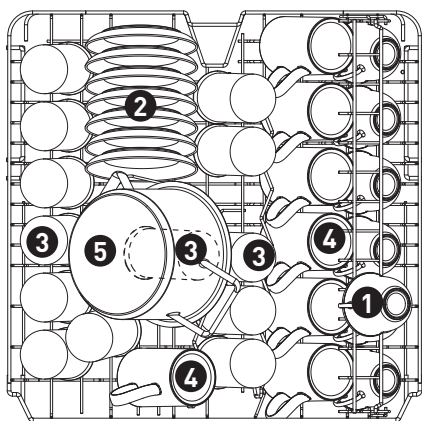
La hauteur de réglage maximale des pieds est de 50 mm.

## Chargement des paniers

### Selon la norme EN 60436 :

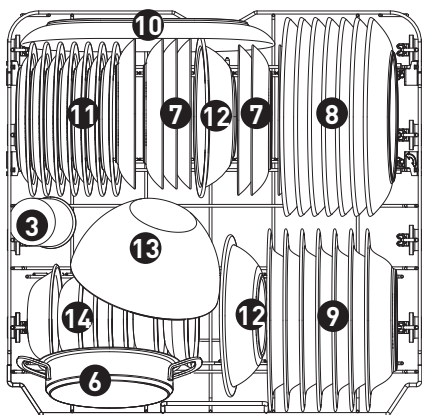
Charger le lave-vaisselle à sa pleine capacité permet d'économiser de l'énergie et de l'eau.

#### Panier supérieur :



Numéro	Article
1	Tasses
2	Soucoupes
3	Verres
4	Tasses hautes
5	Petite casserole

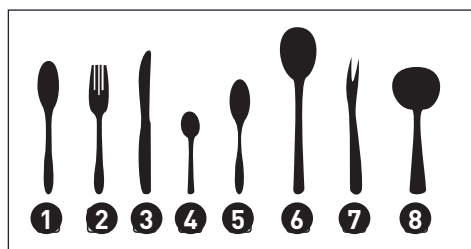
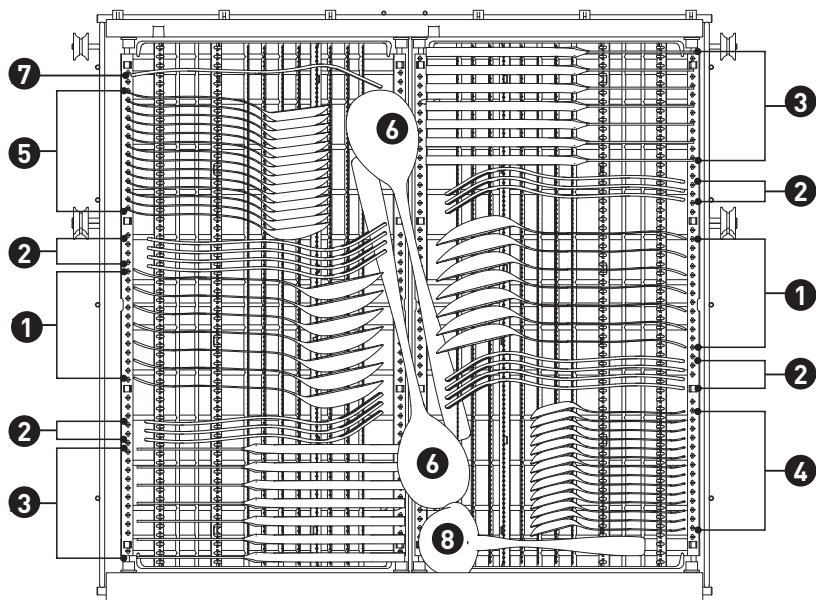
#### Panier inférieur :



Numéro	Article
6	Plat allant au four
7	Assiettes à dessert
8	Grandes assiettes
9	Assiettes creuses
10	Plat ovale
11	Assiettes à dessert en mélamine
12	Bols en mélamine
13	Saladier en verre
14	Coupelles à dessert



## Compartiment à couverts :



Informations pour les tests de comparabilité,  
conformément à la norme EN 60436

Capacité : 14 couverts

Position du panier supérieur : position basse

Programme : ECO

Réglage du produit de rinçage : MAX.

Réglage de l'adoucisseur d'eau : H3

## Numéro

## Article

①

Cuillères à soupe

②

Fourchettes

③

Couteaux

④

Cuillères à thé

⑤

Cuillères à dessert

⑥

Cuillères de service

⑦

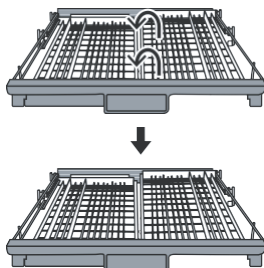
Fourchette de  
service

⑧

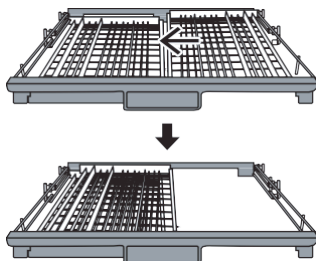
Louche

## Utilisation du compartiment à couverts

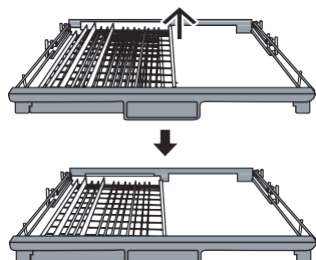
- Pour libérer plus de place pour le panier supérieur, il est possible de retirer le compartiment à couverts. Les étapes sont les suivantes :
- Soulevez le côté droit du compartiment, tout en conservant les deux parties de la structure à plat



- Glissez le côté droit du compartiment vers la gauche. Les deux parties se chevauchent alors.
- Tirez sur le côté droit du compartiment pour le retirer complètement.



- Procédez dans l'ordre inverse pour remettre en place le côté droit du compartiment.



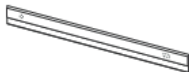
### REMARQUE

Le nombre de couverts indiqué sur l'étiquette énergétique est calculé par rapport à des assiettes de 25 cm et des verres de 12 cm de haut.

## Installation de la bande insonorisante



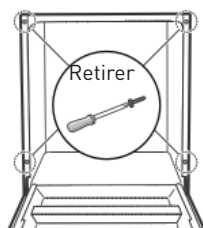
**Bande supérieure**  
(uniquement pour les modèles encastrés)



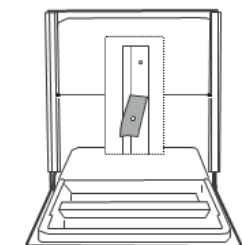
**Bande de gauche**



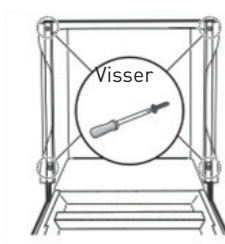
**Bande de droite**



Retirez les quatre vis des plaques sur le côté gauche et le côté droit



Retirez le film de protection des bandes insonorisantes, puis collez les bandes sur les plaques, en vous assurant de bien aligner les positions des trous

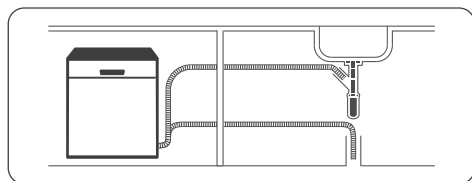


Serrez les quatre vis sur les plaques

## Guide d'utilisation rapide

Merci de lire les chapitres correspondants dans le guide d'utilisation pour obtenir des consignes d'utilisation plus détaillées.

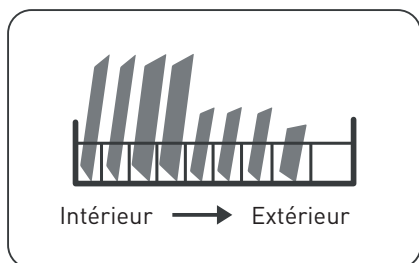
1. Installation du lave-vaisselle  
(Merci de vous référer au chapitre « INSTRUCTIONS D'INSTALLATION ».)



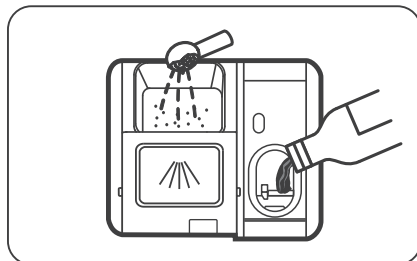
2. Retirez les plus gros résidus des assiettes.  
Évitez le pré-rinçage.



3. Chargez les paniers



4. Remplissez les compartiments de détergent et de produit de rinçage.

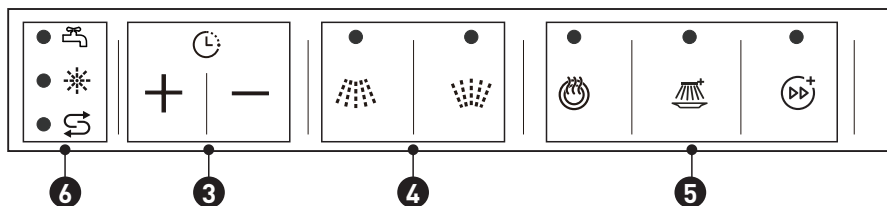
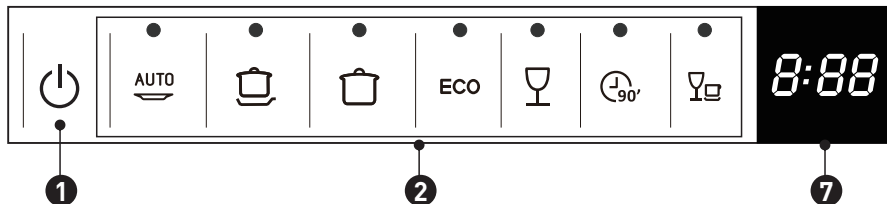


5. Sélectionnez un programme adapté et lancez le lave-vaisselle.
















## Utilisation de votre lave-vaisselle

### Panneau de commande







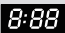


## Fonctionnement (boutons)

<b>1</b> Alimentation		Appuyez sur ce bouton pour mettre votre lave-vaisselle sous tension ; l'écran s'allume.
		<b>Auto</b> Pour la vaisselle légèrement, normalement ou très sale, avec ou sans restes de nourriture collés.
		<b>Intensif</b> Vaisselle très sale, incluant des casseroles et des poêles, avec des résidus de nourriture collés.
		<b>Universel</b> Pour la vaisselle normalement sale, comme les assiettes, les verres et les ustensiles de cuisine légèrement sales.
<b>2</b> Programmes		<b>ECO</b> Il s'agit du programme standard, qui convient pour laver une vaisselle normalement sale, et qui offre le meilleur rendement en termes de consommation combinée d'eau et d'énergie pour ce type de vaisselle.
		<b>Verres</b> Pour les verres et la vaisselle légèrement sales.
		<b>90 min</b> Pour les charges normalement sales nécessitant un lavage rapide.
		<b>Rapide</b> Un cycle plus court pour une vaisselle légèrement sale ne nécessitant pas de séchage.
<b>3</b> Départ différé +/-		Appuyez sur le bouton « + » pour augmenter la durée du départ différé ou sur le bouton « - » pour diminuer cette durée ; le départ peut être différé de 24 heures au maximum.
<b>4</b> Lavage double zone		<b>Supérieur</b> Si vous sélectionnez Supérieur, seule la vaisselle dans le panier supérieur sera lavée. Le système d'aspersion du panier inférieur ne fonctionnera pas.
		<b>Inférieur</b> Si vous sélectionnez Inférieur, seule la vaisselle dans le panier inférieur sera lavée. Le système d'aspersion du panier supérieur ne fonctionnera pas.

<b>5 Fonctions</b>		<b>Lavage supplémentaire</b> Pour laver la vaisselle très sale, difficile à nettoyer. (Cette fonction ne peut pas être utilisée avec les programmes Auto, ni Rapide.)
		<b>Séchage supplémentaire</b> Cette fonction permet de sécher davantage la vaisselle. (Cette fonction ne peut pas être utilisée avec les programmes Auto, ni Rapide.)
		<b>Vitesse Turbo+</b> Permet de réduire la durée du programme. (Cette fonction ne peut pas être utilisée avec les programmes Auto, ni Rapide.)

Affichage

<b>6 Témoins d'avertissement</b>		<b>Produit de rinçage</b> Si le témoin «  » s'allume, cela signifie que le niveau de produit de rinçage du lave-vaisselle est faible et que le compartiment correspondant doit être rempli.
		<b>Sel</b> Si le témoin «  » s'allume, cela signifie que le niveau de sel régénérant du lave-vaisselle est faible et que le compartiment correspondant doit être rempli.
		<b>Robinet d'eau</b> Si le témoin «  » s'allume, cela signifie que le robinet d'eau est fermé.
<b>7 Écran</b>		Affiche le temps restant du programme, la durée du départ différé, les codes d'erreur, etc.

**Adoucisseur d'eau**

- L'adoucisseur d'eau doit être réglé manuellement, à l'aide de l'indicateur de dureté de l'eau.
- L'adoucisseur d'eau est conçu pour éliminer les minéraux et les sels de l'eau qui auraient un effet nuisible ou indésirable sur le fonctionnement de l'appareil.
- Plus la teneur en minéraux de votre eau est élevée et plus elle est calcaire.
- L'adoucisseur doit être réglé en fonction de la dureté de l'eau dans votre région.
- Votre service local des eaux peut vous renseigner sur la dureté de l'eau dans votre région.

### Réglage de la consommation de sel

• Ce lave-vaisselle est conçu pour permettre le réglage de la quantité de sel utilisée en fonction de la dureté de l'eau. Cela permet d'optimiser et d'adapter le niveau de consommation de sel.

• Veuillez suivre les étapes ci-dessous pour le réglage de la consommation de sel :

1. Ouvrez la porte et allumez l'appareil.

2. Dans les 60 secondes suivant la mise sous tension de l'appareil, appuyez sur le bouton Rapide pendant plus de 5 secondes pour accéder au mode de réglage de l'adoucisseur d'eau.

3. Appuyez à nouveau sur le bouton Rapide pour sélectionner le bon réglage, en fonction de votre environnement local. L'ordre d'affichage des réglages est le suivant : H3 -> H4 -> H5 -> H6 -> H1 -> H2 -> H3.

4. Appuyez sur le bouton d'alimentation pour quitter le mode de réglage.

DURETÉ DE L'EAU				Niveau de l'adoucisseur d'eau	La régénération a lieu toutes les séries de X programmes <sup>1)</sup>	Consommation de sel (grammes/cycle)
Degrés allemands dH	Degrés français fH	Degrés anglais Clark	Mmol/l			
0 - 5	0 - 9	0 - 6	0 - 0,94	H1	Aucune régénération	0
6 - 11	10 - 20	7 - 14	1,0 - 2,0	H2	10	9
12 - 17	21 - 30	15 - 21	2,1 - 3,0	H3	5	12
18 - 22	31 - 40	22 - 28	3,1 - 4,0	H4	3	20
23 - 34	41 - 60	29 - 42	4,1 - 6,0	H5	2	30
35 - 55	61 - 98	43 - 69	6,1 - 9,8	H6	1	60

1 °dH = 1,25 °Clark = 1,78 °fH = 0,178 mmol/l

Réglage d'usine : H3

<sup>1)</sup> Chaque cycle avec une opération de régénération consomme 2,0 litres d'eau supplémentaires, la consommation électrique augmente de 0,02 kWh et le programme s'allonge de 4 minutes.



**REMARQUE**

Veuillez consulter le chapitre « Chargement du sel dans l'adoucisseur d'eau » s'il manque du sel dans votre lave-vaisselle.

**REMARQUE**

**Si votre modèle ne possède pas d'adoucisseur d'eau, vous pouvez passer ce chapitre.**

Adoucisseur d'eau

- La dureté de l'eau varie d'un endroit à l'autre. Si une eau calcaire est utilisée dans le lave-vaisselle, des dépôts vont se former sur la vaisselle et les ustensiles.
- Cet appareil est équipé d'un adoucisseur spécial qui utilise un compartiment à sel spécifiquement conçu pour éliminer le calcaire et les minéraux de l'eau.

**Préparation et chargement de la vaisselle**

- Pensez à acheter des ustensiles qui portent la mention « Résiste au lave-vaisselle ».
- Pour les objets délicats, sélectionnez un programme avec la température la plus basse possible.
- Pour éviter de les endommager, ne sortez pas les verres et les couverts du lave-vaisselle dès la fin du programme.

Couverts/vaisselle passant au lave-vaisselle

Ne conviennent pas :

- Les couverts avec des manches en bois, en corne, en porcelaine ou en nacre
- Les articles en plastique qui ne résistent pas à la chaleur
- Les couverts anciens avec des parties collées qui ne résistent pas à des températures élevées
- La vaisselle ou les couverts collés
- La vaisselle en étain ou en cuivre
- Les verres en cristal

- Les objets en acier susceptibles de rouiller
- Plats en bois
- Les objets fabriqués à partir de fibres synthétiques

Convient de manière limitée :

- Certains types de verres peuvent devenir ternes au bout d'un grand nombre de lavages
- Les objets en argent et en aluminium ont tendance à se décolorer au cours du lavage
- Les motifs vernis risquent de s'effacer s'ils sont fréquemment lavés en machine

#### Recommandations pour le chargement du lave-vaisselle

• Enlevez les éventuels gros restes de nourriture. Ramollissez les restes d'aliments brûlés présents dans les ustensiles de cuisson. Il n'est pas nécessaire de rincer la vaisselle sous l'eau courante. Pour que votre lave-vaisselle donne un résultat optimal, suivez ces conseils de chargement.

#### **(Les caractéristiques et l'aspect des paniers à vaisselle et à couverts peuvent varier selon les modèles.)**

Placez les objets dans le lave-vaisselle de la manière suivante :

- Les objets tels que les tasses, verres, ustensiles de cuisson, etc. doivent être orientés vers le bas.
- Les objets incurvés ou comportant des renforcements doivent être chargés en biais pour que l'eau puisse s'écouler.
- Tous les ustensiles doivent être bien rangés, pour qu'ils ne risquent pas de basculer.
- Tous les ustensiles doivent être placés de manière à ce que les bras de lavage puissent tourner librement au cours du lavage.
- Chargez les objets creux, comme les tasses, verres, casseroles, etc. avec l'ouverture vers le bas, pour qu'ils ne se remplissent pas d'eau.
- La vaisselle et les couverts ne doivent pas être emboîtés les uns dans les autres, ni se couvrir les uns les autres.
- Pour éviter de les abîmer, les verres ne doivent pas se toucher.
- Le panier supérieur est conçu pour accueillir la vaisselle plus délicate et légère, comme les verres, les tasses à café ou à thé.
- Les couteaux à longue lame rangés à la verticale présentent un danger potentiel !
- Les couverts longs et/ou tranchants, tels que des couteaux à découper, doivent être positionnés horizontalement dans le panier supérieur.

- Ne surchargez pas votre lave-vaisselle. C'est important pour obtenir de bons résultats et pour une consommation d'énergie raisonnable.

## REMARQUE

Les très petits objets ne doivent pas être lavés au lave-vaisselle, car ils pourraient facilement tomber du panier.

### Déchargement de la vaisselle

Pour éviter que l'eau ne goutte depuis le panier supérieur sur le panier inférieur, nous vous recommandons de vider d'abord le panier inférieur et ensuite le niveau supérieur.

## AVERTISSEMENT

**La vaisselle sera chaude !** Pour éviter de l'abîmer, attendez environ 15 minutes après la fin du programme avant de sortir les verres et les couverts du lave-vaisselle.

### Chargement du panier supérieur

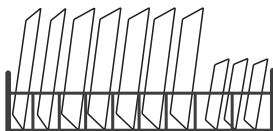
Le panier supérieur est conçu pour ranger la vaisselle plus délicate et légère, comme les verres, les soucoupes, les tasses à café ou à thé, ainsi que les assiettes, les petits bols et les plats peu profonds (à condition qu'ils ne soient pas trop sales). Positionnez la vaisselle et les ustensiles de cuisson de façon à ce qu'ils ne puissent pas être déplacés par le jet d'eau.



### Chargement du panier inférieur

• Nous vous conseillons de placer les grands objets difficiles à laver dans le panier inférieur : casseroles, poêles, couvercles, plats de service et saladiers, comme indiqué dans le schéma ci-dessous. Il est préférable de placer les plats de service et les couvercles sur le côté des paniers à vaisselle, afin d'éviter de bloquer la rotation du bras de lavage supérieur.

- Le diamètre maximal conseillé pour les assiettes placées devant le compartiment à détergent est de 19 cm, pour ne pas en entraver l'ouverture.



### Chargement du compartiment à couverts

Les couverts doivent être placés dans le compartiment à couverts en les séparant les uns des autres et dans la position appropriée. Évitez de trop regrouper les couverts ; cela nuirait aux performances de lavage.

#### **AVERTISSEMENT**

Ne laissez pas de couverts dépasser du bas du panier. Placez toujours les ustensiles tranchants avec la pointe vers le bas !

#### **REMARQUE**

Pour de meilleures performances de lavage, veuillez charger les paniers selon les modes de chargement standard.

### **Fonction du produit de rinçage et du détergent**

Le produit de rinçage est libéré lors du dernier rinçage afin d'éviter que l'eau ne forme des gouttelettes sur votre vaisselle, susceptibles de laisser des traces et des taches. Il améliore aussi le séchage en permettant à l'eau de s'écouler sur la vaisselle. Votre lave-vaisselle est conçu pour utiliser des produits de rinçage liquides.

#### **AVERTISSEMENT**

Utilisez toujours un produit de rinçage de marque pour votre lave-vaisselle. Ne remplissez jamais le compartiment à produit de rinçage avec d'autres substances (par exemple, du produit de nettoyage pour lave-vaisselle, du détergent liquide).

Cela endommagerait votre appareil.

### Quand faut-il remplir à nouveau le compartiment à produit de rinçage ?

La fréquence à laquelle il convient de remplir le compartiment à produit de rinçage dépend de la fréquence des lavages de vaisselle et du réglage utilisé pour le produit de rinçage.

- Le voyant du produit de rinçage (🌊) s'allume lorsqu'il est nécessaire d'ajouter du produit de rinçage.
- Évitez de trop remplir le compartiment à produit de rinçage.

### Fonction du détergent

- Les composants chimiques du détergent sont nécessaires pour enlever les saletés, les broyer et les évacuer du lave-vaisselle.
- La plupart des détergents de qualité commerciale conviennent à cet effet.

## AVERTISSEMENT

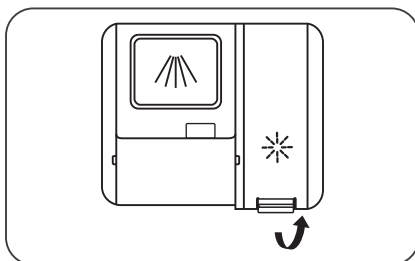
### Utilisation correcte du détergent

- Utilisez uniquement des détergents conçus spécialement pour être utilisés dans un lave-vaisselle. Conservez votre détergent dans un endroit frais et sec.
- Ne mettez pas de détergent dans le compartiment tant que vous n'êtes pas prêt(e) à démarrer le lave-vaisselle

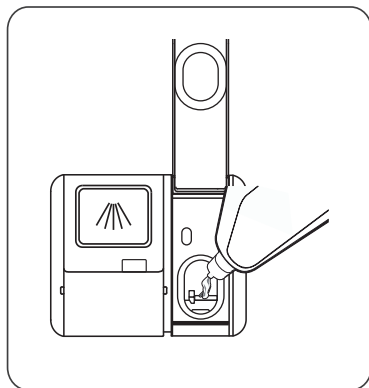
**Le détergent pour lave-vaisselle est corrosif ! Conservez le détergent pour lave-vaisselle hors de portée des enfants.**

### Remplissage du compartiment à produit de rinçage

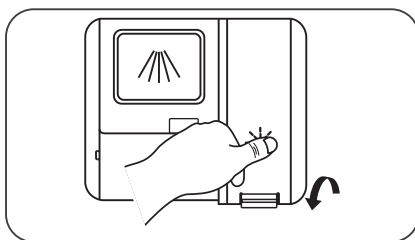
1. Ouvrez le compartiment à produit de rinçage en soulevant la languette du couvercle.



2. Versez le produit de rinçage dans le compartiment, en veillant à ne pas trop le remplir.



3. Refermez ensuite le compartiment en abaissant le couvercle.



#### Réglage du compartiment à produit de rinçage

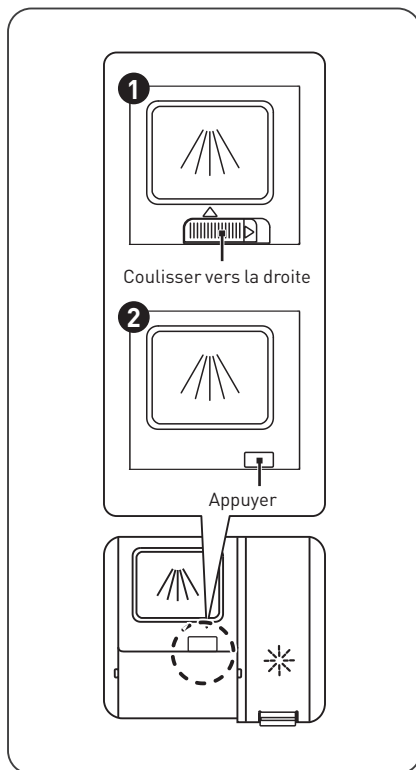
Pour obtenir une performance de séchage optimale avec le moins de produit de rinçage possible, ce lave-vaisselle est conçu pour que la consommation soit réglée par l'utilisateur. Veuillez suivre les étapes ci-dessous.

1. Ouvrez la porte et allumez l'appareil.
2. Dans les 60 secondes suivant la mise sous tension, appuyez sur le bouton Rapide pendant plus de 5 secondes, puis appuyez sur le bouton « + » pour accéder au mode de réglage ; le témoin du produit de rinçage clignotera à une fréquence de 1 Hz.
3. Appuyez à nouveau sur le bouton Rapide pour sélectionner le bon réglage, en fonction de vos habitudes d'utilisation. L'ordre d'affichage des réglages est le suivant : D1 -> D2 -> D3 -> D4 -> D5 -> D1. Plus le chiffre est élevé, plus le lave-vaisselle utilisera de produit de rinçage.
4. Pour terminer les réglages et sortir de ce mode, n'appuyez sur aucun bouton pendant 5 secondes ou appuyez sur le bouton d'alimentation.

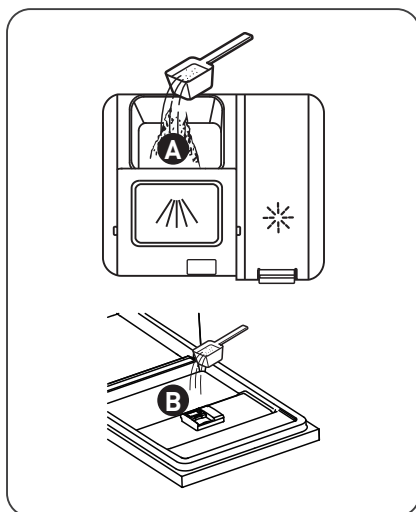
Remplissage du compartiment à détergent

1. Veuillez choisir la méthode d'ouverture adaptée à votre appareil.

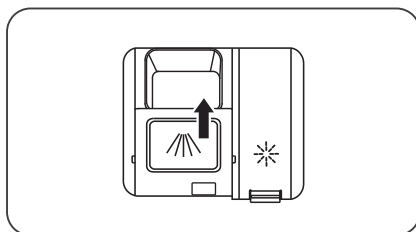
- 1 Ouvrez le couvercle en couissant le loquet de déverrouillage.
- 2 Ouvrez le compartiment en appuyant sur le loquet de déverrouillage.



2. Versez du détergent dans la cavité la plus grande **A** pour le lavage principal. Pour un lavage optimal, particulièrement si la vaisselle est très sale, versez une petite quantité de détergent sur la porte. Cette dose de détergent supplémentaire s'activera au cours de la phase de pré-lavage.



3. Fermez le couvercle en le couissant vers l'avant tout en appuyant vers le bas.



### REMARQUE

Merci de suivre les recommandations du fabricant indiquées sur l'emballage du détergent.









## Programmation du lave-vaisselle

### Tableau des cycles de lavage

• Le tableau ci-dessous indique les programmes qui conviennent le mieux en fonction des quantités de résidus de nourriture sur la vaisselle, ainsi que la quantité de détergent nécessaire. Il donne également diverses informations sur les programmes.

(●) signifie que vous devez remplir le compartiment à produit de rinçage.

Programme	Description du cycle	Détergent de pré-lavage/lavage	Durée de fonctionnement (min)	Énergie (kWh)	Eau (l)	Produit de rinçage
 <b>Auto</b>	Pré-lavage (45 °C) Lavage automatique (55 - 65 °C) Rinçage Rinçage (50 - 55 °C) Séchage	4/18 g (1 ou 2 pastilles)	85 - 150	0,850 - 1,550	8,5 - 18,0	●
 <b>Intensif</b>	Pré-lavage (50 °C) Lavage (65 °C) Rinçage Rinçage Rinçage (60 °C) Séchage	4/18 g (1 ou 2 pastilles)	205	1,500	16,6	●
 <b>Universel</b>	Pré-lavage (45 °C) Lavage (55 °C) Rinçage Rinçage (55 °C) Séchage	4/18 g (1 ou 2 pastilles)	173	0,980	13,6	●
<b>ECO</b> (*EN 60436)	Pré-lavage Lavage (50 °C) Rinçage Rinçage (50 °C) Séchage	4/18 g (1 ou 2 pastilles)	220	0,645	9,8	●
 <b>Verres</b>	Pré-lavage Lavage (50 °C) Rinçage (50 °C) Rinçage (50 °C) Séchage	4/18 g (1 ou 2 pastilles)	120	0,950	13,5	●
 <b>90 min</b>	Lavage (60 °C) Rinçage Rinçage (50 °C) Séchage	22 g (1 pastille)	90	1,180	12,5	●

Programme	Description du cycle	Détergent de pré-lavage/lavage	Durée de fonctionnement (min)	Énergie (kWh)	Eau (l)	Produit de rinçage
 <b>Rapide</b>	Lavage (45 °C) Rinçage (45 °C)	12 g (1 pastille)	30	0,820	11,2	○

## REMARQUE

ECO (\*EN60436) : Le programme ECO convient pour laver de la vaisselle normalement sale. Il s'agit du programme le plus efficace en termes de consommation combinée d'eau et d'énergie. Il est utilisé pour évaluer la conformité avec la législation de l'UE en matière d'écoconception.

### Économies d'énergie

1. Le pré-rinçage de la vaisselle augmente la consommation d'eau et d'énergie, et n'est pas recommandé.
2. Laver la vaisselle dans un lave-vaisselle domestique consomme généralement moins d'eau et d'énergie que le lavage manuel de la vaisselle, lorsque le lave-vaisselle est utilisé conformément aux instructions.

### Démarrage d'un programme

1. Sortez les paniers supérieur et inférieur, chargez la vaisselle, puis rentrez-les à nouveau. Il est recommandé de charger d'abord le panier inférieur et ensuite le niveau supérieur.
2. Versez le détergent.
3. Branchez la fiche dans la prise de courant. Pour les informations relatives à l'alimentation électrique, référez-vous à la « Fiche produit » en dernière page. Assurez-vous que l'alimentation en eau est ouverte à pleine pression.
4. Ouvrez la porte, appuyez sur le bouton d'alimentation.
5. Choisissez un programme, le témoin correspondant s'allumera. Ensuite, fermez la porte et le lave-vaisselle démarrera le cycle de lavage.

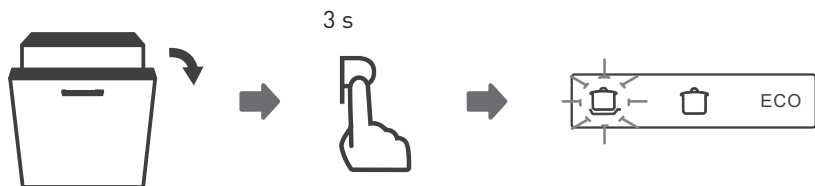
### Changement de programme en cours de cycle

- Le programme ne peut être changé que s'il ne fonctionne que depuis peu de temps, sinon le détergent peut avoir été déjà libéré, ou l'eau de lavage avec le détergent déjà évacuée. Si

c'est le cas, le lave-vaisselle devra être reprogrammé et le compartiment à détergent devra être rempli à nouveau.

Pour reprogrammer le lave-vaisselle, suivez les instructions ci-dessous :

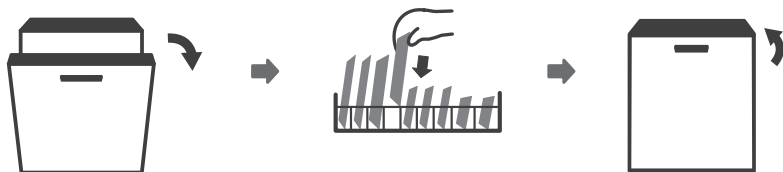
1. Entrouvrez la porte pour arrêter le lave-vaisselle. Une fois que le bras de lavage aura cessé de fonctionner, vous pourrez ouvrir la porte complètement.
2. Appuyez sur n'importe quel bouton de programme pendant plus de 3 secondes pour accéder au mode de sélection des programmes.
3. Vous pourrez alors modifier le programme pour régler le cycle souhaité.



### Ajout de vaisselle oubliée

Vous pouvez ajouter de la vaisselle oubliée à tout moment avant l'ouverture du compartiment à détergent. Dans ce cas, suivez les instructions ci-dessous :

1. Entrouvrez la porte pour interrompre le lavage.
2. Une fois que les bras de lavage auront cessé de fonctionner, vous pourrez ouvrir complètement la porte.
3. Ajoutez la vaisselle oubliée.
4. Fermez la porte.
5. Le lave-vaisselle se remettra en route.



**AVERTISSEMENT**

Il est dangereux d'ouvrir la porte en cours de cycle, car la vapeur chaude pourrait vous brûler.

**Ouverture automatique**

À la fin du lavage, la porte s'ouvrira automatiquement pour un séchage optimal.

**REMARQUE**

La porte du lave-vaisselle ne doit pas être bloquée quand elle est réglée pour s'ouvrir automatiquement. Cela pourrait nuire à la fonctionnalité de verrouillage de la porte.



L'ouverture automatique de la porte est activée par défaut sur votre appareil et fonctionne sur tous les programmes excepté les programmes courts (c'est-à-dire le programme rapide et le programme trempage s'il est présent sur votre appareil). La fonction d'ouverture ne peut pas être désactivée.

acti  
door

## Entretien et nettoyage

### Entretien de l'extérieur de l'appareil

#### Porte et joint de la porte

- Nettoyez régulièrement les joints de la porte à l'aide d'un chiffon doux humide, pour éliminer les résidus de nourriture.
- Lors du chargement du lave-vaisselle, des résidus de nourriture et de boissons peuvent couler sur les côtés de la porte du lave-vaisselle.
- Ces surfaces se trouvent à l'extérieur de la cuve et l'eau des bras de lavage ne parvient pas jusqu'à elles.
- Tous les résidus doivent être essuyés avant de fermer la porte.

#### Panneau de commande

- S'il est nécessaire de le nettoyer, le panneau de commande doit être essuyé uniquement avec un chiffon doux humide.

### **AVERTISSEMENT**

- Pour éviter toute pénétration d'eau dans le dispositif de verrouillage de la porte et les composants électriques, n'utilisez jamais de spray nettoyant, quel qu'il soit.
- N'utilisez jamais de tampons ou de nettoyeurs abrasifs sur les surfaces externes de l'appareil ; ils risqueraient de rayer la finition. Certains papiers essuie-tout peuvent également rayer la surface ou y laisser des marques.

## Entretien de l'intérieur de l'appareil

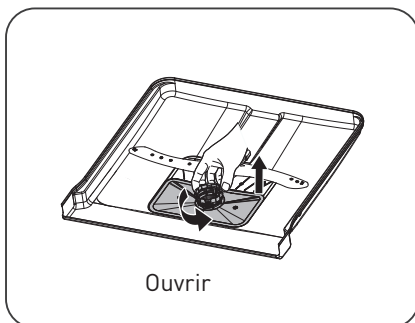
### Système de filtration

- Le système de filtration au bas de la cuve retient les gros débris du cycle de lavage, dont les corps étrangers comme les cure-dents ou les tessons. Les résidus recueillis peuvent obstruer les filtres. Vérifiez régulièrement l'état des filtres, retirez soigneusement les corps étrangers et nettoyez les différentes parties du système de filtration à l'eau si nécessaire.
- Suivez les étapes ci-après pour nettoyer le filtre.

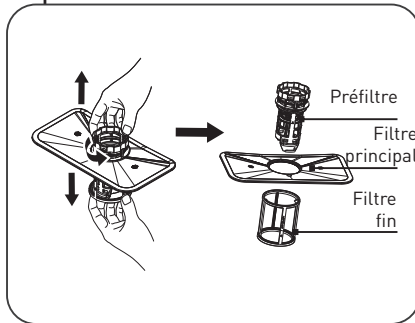
### REMARQUE

Les illustrations sont fournies à titre indicatif uniquement, les modèles de systèmes de filtration et de bras de lavage peuvent varier.

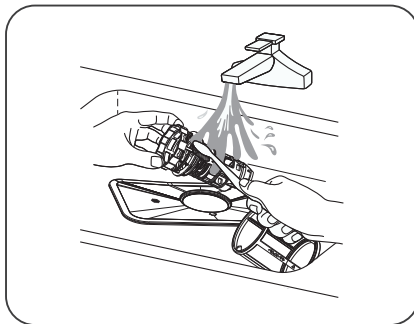
1. Prenez le préfiltre et faites-le tourner dans le sens inverse des aiguilles d'une montre pour libérer l'ensemble du système. Tirez le filtre vers le haut et sortez-le du lave-vaisselle.



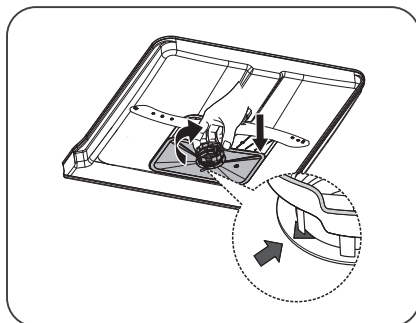
2. Tirez le filtre fin vers le bas pour le désolidariser du groupe filtre. Le préfiltre peut être séparé du filtre principal en appuyant doucement sur les languettes en haut du filtre et en tirant dessus pour le sortir.



3. Les plus gros résidus de nourriture peuvent être nettoyés en rinçant le filtre sous l'eau courante. Pour un nettoyage plus approfondi, utilisez une brosse de nettoyage douce.



4. Remontez les filtres dans l'ordre inverse du démontage, remplacez le groupe filtre et tournez-le dans le sens des aiguilles d'une montre jusqu'à la flèche correspondant à la position fermée.



### AVERTISSEMENT

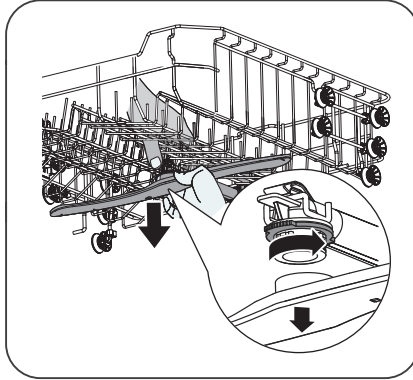
- Ne serrez pas trop les filtres. Remplacez les filtres correctement et dans l'ordre, sinon de gros résidus pourraient entrer dans le système et provoquer un blocage.
- N'utilisez jamais le lave-vaisselle sans avoir remis les filtres en place. Si les filtres ne sont pas remis en place correctement, cela risque de nuire aux performances de l'appareil et d'endommager la vaisselle et les ustensiles.

### Bras de lavage

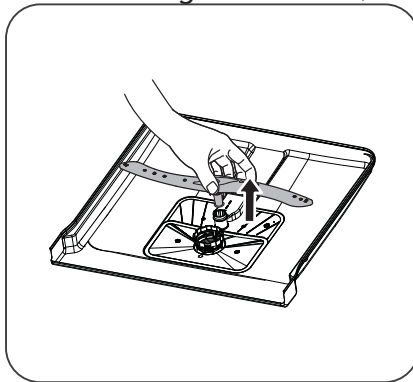
- Vous devez nettoyer régulièrement les bras de lavage pour éviter que les substances chimiques contenues dans l'eau calcaire n'obstruent les jets et les roulements des bras de lavage.
- Pour nettoyer les bras de lavage, suivez les instructions ci-dessous :



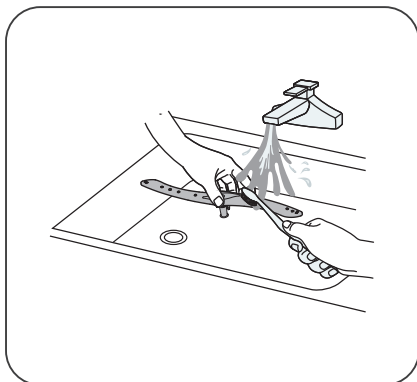
1. Pour retirer le bras de lavage supérieur, maintenez immobile l'écrou central et faites tourner le bras de lavage dans le sens antihoraire pour l'enlever.



2. Pour sortir le bras de lavage inférieur, tirez-le vers le haut.



3. Lavez les bras de lavage à l'eau tiède savonneuse et utilisez une brosse douce pour nettoyer les jets.



## Entretien du lave-vaisselle

### Précautions contre le gel

- L'hiver, vous devez prendre des mesures de protection contre le gel pour votre lave-vaisselle. Après chaque cycle de lavage, veuillez suivre la procédure ci-après :

1. Coupez l'alimentation électrique du lave-vaisselle au niveau de la source.
2. Fermez l'arrivée d'eau et débranchez le tuyau d'arrivée d'eau du robinet d'eau.
3. Vidangez l'eau du tuyau d'arrivée et du robinet (utilisez un seau pour récupérer l'eau
4. Rebranchez le tuyau d'arrivée d'eau sur le robinet.

5. Retirez le filtre au fond de la cuve et utilisez une éponge pour absorber l'eau dans la cuve de décantation.

### Après chaque lavage

- Après chaque lavage, fermez l'arrivée d'eau de l'appareil et laissez la porte entrouverte pour éviter la formation d'humidité et d'odeurs à l'intérieur.

### Débranchement de la prise

- Avant toute opération de nettoyage ou d'entretien, débranchez toujours la fiche de la prise.

### Ne pas nettoyer avec des solvants ou des substances abrasives

- Pour nettoyer l'extérieur et les pièces en caoutchouc du lave-vaisselle, n'utilisez pas de solvants ni de produits de nettoyage abrasifs. Utilisez uniquement un chiffon avec de l'eau tiède savonneuse.

- Pour retirer des taches ou salissures de la surface intérieure, servez-vous d'un chiffon humidifié avec de l'eau et un peu de vinaigre, ou d'un produit de nettoyage conçu spécialement pour les lave-vaisselle.

### Lorsque vous n'allez pas l'utiliser pendant longtemps

- Nous vous recommandons d'effectuer un cycle de lavage à vide, puis de débrancher la fiche de la prise, d'arrêter l'arrivée d'eau et de laisser la porte de l'appareil entrouverte. Ceci contribuera à ce que les joints de porte durent plus

longtemps et évitera la formation d'odeurs à l'intérieur de l'appareil.

### Déplacement de l'appareil

- Si vous devez déplacer l'appareil, essayez de le conserver en position verticale. Si cela est indispensable, vous pouvez le coucher sur le dos.

### Joints

- L'un des facteurs contribuant à la formation d'odeurs dans le lave-vaisselle est la présence de restes de nourriture coincés dans les joints. Pour éviter cela, nettoyez-les régulièrement avec une éponge humide.

## Conseils de dépannage

### Avant d'appeler un technicien

La consultation des tableaux des pages suivantes peut vous éviter d'avoir à appeler un technicien

Problème	Causes possibles	Solutions
Le lave-vaisselle ne démarre pas	Un fusible a grillé ou le disjoncteur s'est déclenché.	<ul style="list-style-type: none"> <li>• Remplacez le fusible ou réactivez le disjoncteur.</li> <li>• Retirez tous les autres appareils utilisant le même circuit que le lave-vaisselle.</li> </ul>
	L'appareil n'est pas sous tension.	<ul style="list-style-type: none"> <li>• Vérifiez que le lave-vaisselle est allumé et que sa porte est bien fermée.</li> <li>• Assurez-vous que le cordon d'alimentation est correctement branché dans la prise murale.</li> </ul>
	La pression d'eau est faible	<ul style="list-style-type: none"> <li>• Vérifiez que l'arrivée d'eau est correctement raccordée et que le robinet d'eau est ouvert.</li> </ul>
L'eau du lave-vaisselle n'est pas vidangée	La porte du lave-vaisselle n'est pas fermée correctement.	<ul style="list-style-type: none"> <li>• Veillez à bien fermer et verrouiller la porte.</li> </ul>
	Le tuyau de vidange est tordu ou coincé.	<ul style="list-style-type: none"> <li>• Vérifiez le tuyau de vidange.</li> </ul>
	Le filtre est bouché.	<ul style="list-style-type: none"> <li>• Vérifiez le système de filtration.</li> </ul>
	L'évier de la cuisine est bouché.	<ul style="list-style-type: none"> <li>• Vérifiez si l'évier de la cuisine se vide correctement. Si c'est l'évier de la cuisine qui est bouché, vous aurez besoin d'un plombier plutôt que d'un réparateur de lave-vaisselle.</li> </ul>

Problème	Causes possibles	Solutions
Présence de mousse dans la cuve	Le détergent n'est pas adapté.	<ul style="list-style-type: none"> <li>• Utilisez uniquement un détergent spécifique pour lave-vaisselle afin d'éviter la formation de mousse. Si cela se produit, ouvrez le lave-vaisselle et laissez la mousse s'évaporer. Ajoutez 1 litre d'eau froide dans la cuve du lave-vaisselle.</li> <li>• Fermez la porte du lave-vaisselle, puis sélectionnez n'importe quel cycle. Le lave-vaisselle commencera par évacuer l'eau. Ouvrez la porte une fois que la phase de vidange sera terminée et vérifiez si la mousse a disparu.</li> <li>• Répétez l'opération si nécessaire.</li> </ul>
L'intérieur de la cuve est taché	<p>Du produit de rinçage a été renversé.</p> <p>Un détergent contenant du colorant a peut-être été utilisé.</p>	<ul style="list-style-type: none"> <li>• Essuyez toujours immédiatement tout produit de rinçage renversé.</li> <li>• Assurez-vous que votre détergent ne contient pas de colorant.</li> </ul>
Film blanc sur la surface intérieure	Minéraux présents dans l'eau calcaire.	<ul style="list-style-type: none"> <li>• Pour nettoyer l'intérieur de l'appareil, utilisez un chiffon doux humide avec du détergent pour lave-vaisselle et portez des gants en caoutchouc. N'utilisez jamais un autre produit de nettoyage que du détergent pour lave-vaisselle, pour éviter le risque de formation de mousse.</li> </ul>

Problème	Causes possibles	Solutions
Taches de rouille sur les couverts	Les objets concernés ne résistent pas à la corrosion.	<ul style="list-style-type: none"> <li>• Évitez de passer au lave-vaisselle des objets qui ne résistent pas à la corrosion.</li> </ul>
	Vous n'avez pas démarré de programme juste après l'ajout de sel régénérant. Du sel s'est retrouvé dans le cycle de lavage.	<ul style="list-style-type: none"> <li>• Après avoir ajouté du sel régénérant, lancez toujours un programme de lavage rapide à vide et sans sélectionner la fonction Turbo (si elle est disponible sur votre modèle).</li> </ul>
	Le couvercle de l'adoucisseur d'eau est mal fixé.	<ul style="list-style-type: none"> <li>• Vérifiez que le couvercle de l'adoucisseur d'eau est bien fermé.</li> </ul>
Bruits de chocs provenant du lave-vaisselle	Un bras de lavage tape contre un objet dans un panier	<ul style="list-style-type: none"> <li>• Arrêtez le programme et déplacez les objets qui entravent le bras de lavage.</li> </ul>
Bruits de cliquetis provenant du lave-vaisselle	De la vaisselle bouge dans le lave-vaisselle.	<ul style="list-style-type: none"> <li>• Interrompez le programme et réorganisez la vaisselle.</li> </ul>
Bruits de chocs provenant des conduites d'eau	Ceci peut être lié à l'installation sur place ou au diamètre des tuyaux.	<ul style="list-style-type: none"> <li>• Cela n'a aucune influence sur le fonctionnement du lave-vaisselle. En cas de doute, contactez un plombier qualifié.</li> </ul>

Problème	Causes possibles	Solutions
La vaisselle n'est pas propre	La vaisselle n'a pas été chargée correctement.	<ul style="list-style-type: none"> <li>• Voir la rubrique « Préparation et chargement de la vaisselle ».</li> </ul>
	Le programme n'était pas suffisamment puissant.	<ul style="list-style-type: none"> <li>• Sélectionnez un programme plus intensif.</li> </ul>
	Une quantité insuffisante de détergent a été libérée.	<ul style="list-style-type: none"> <li>• Utilisez plus de détergent, ou changez-en.</li> </ul>
	Des objets bloquent les mouvements des bras de lavage.	<ul style="list-style-type: none"> <li>• Réorganisez les objets pour que les bras de lavage puissent tourner librement.</li> </ul>
	Le groupe filtre au fond de la cuve n'est pas propre ou n'est pas correctement inséré. Ceci peut bloquer les jets des bras de lavage.	<ul style="list-style-type: none"> <li>• Nettoyez et/ou insérez correctement le filtre. Nettoyez les jets des bras de lavage.</li> </ul>
Les verres sont troubles.	Combinaison d'une eau douce et d'une trop grande quantité de détergent.	<ul style="list-style-type: none"> <li>• Utilisez moins de détergent si votre eau est douce et sélectionnez un cycle plus court pour laver les verres.</li> </ul>
Des taches blanches apparaissent sur la vaisselle et les verres.	Dans les régions où l'eau est calcaire, des dépôts calcaires peuvent apparaître.	<ul style="list-style-type: none"> <li>• Vérifiez les réglages de l'adoucisseur d'eau ou le remplissage du compartiment à sel.</li> </ul>
Marques noires ou grises sur la vaisselle	Des ustensiles en aluminium ont frotté contre la vaisselle	<ul style="list-style-type: none"> <li>• Utilisez un produit nettoyant légèrement abrasif pour éliminer ces traces.</li> </ul>
Il reste du détergent dans le compartiment	La vaisselle bloque le compartiment à détergent	<ul style="list-style-type: none"> <li>• Chargez la vaisselle correctement.</li> </ul>



Problème	Causes possibles	Solutions
La vaisselle ne sèche pas	Chargement incorrect	<ul style="list-style-type: none"> <li>• Portez des gants en cas de résidus de détergent sur la vaisselle, pour éviter des irritations cutanées.</li> </ul>
	La vaisselle a été sortie trop tôt	<ul style="list-style-type: none"> <li>• Ne videz pas votre lave-vaisselle immédiatement après le lavage. Entrouvrez la porte pour que la vapeur puisse sortir. Attendez que la température intérieure ait diminué et que la vaisselle ne soit pas trop chaude au toucher avant de la sortir. Commencez par décharger le panier inférieur pour éviter de faire couler de l'eau sur la vaisselle propre depuis le panier supérieur.</li> </ul>
	Le mauvais programme a été sélectionné.	<ul style="list-style-type: none"> <li>• Avec un programme court, la température de lavage est plus basse, ce qui diminue les performances de lavage. Choisissez un programme avec une durée de lavage longue.</li> </ul>
	Utilisation de couverts avec un revêtement de mauvaise qualité.	<ul style="list-style-type: none"> <li>• L'évacuation de l'eau est plus difficile avec ces objets. Les couverts ou la vaisselle de ce type ne doivent pas être passés au lave-vaisselle.</li> </ul>

## AVERTISSEMENT

Réparer votre appareil vous-même ou le faire réparer par un non-professionnel peut provoquer des risques graves pour la sécurité de l'utilisateur et avoir un impact sur la garantie de l'appareil.

**Disponibilité des pièces détachées**Sept ans après la mise sur le marché de la dernière unité du modèle :

Moteur, pompe de circulation et de drainage, chauffe-eau et éléments chauffants, y compris pompes à chaleur (séparément ou regroupés), tuyauterie et équipements liés dont tous les tuyaux, vannes, filtres et aqua stops, pièces structurelles et intérieures liées aux assemblages de porte (séparément ou regroupés), cartes de circuits imprimés, affichages électroniques, pressostat, thermostats et capteurs, logiciel et matériel y compris logiciel de réinitialisation.

Dix ans après la mise sur le marché de la dernière unité du modèle :

Charnière et joints de porte, autres joints, bras de lavage, filtres d'évacuation, paniers intérieurs et accessoires comme les porte-couverts et couvercles.

## Codes d'erreur

En cas de dysfonctionnement, le lave-vaisselle affichera un code d'erreur. Le tableau suivant montre les codes d'erreur possibles et leur cause.

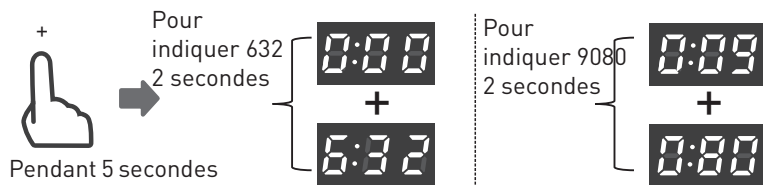
Codes	Significations	Causes possibles
<b>E1</b>	Temps de remplissage plus long.	Les robinets ne sont pas ouverts, l'arrivée d'eau est obstruée ou la pression d'eau est trop faible.
<b>E3</b>	La température requise n'est pas atteinte.	Dysfonctionnement d'un élément chauffant.
<b>E4</b>	Débordement.	Un élément du lave-vaisselle fuit.
<b>E8</b>	Problème d'orientation de la vanne de distribution.	Circuit ouvert ou vanne de distribution défectueuse.
<b>E9</b>	Bouton maintenu enfoncé pendant plus de 30 secondes.	Présence d'eau ou de résidus au niveau du bouton.
<b>Ec</b>	Dysfonctionnement du dispositif de commande du lavage.	Dysfonctionnement du circuit imprimé ou du moteur.
<b>Ed</b>	Problème de communication entre le circuit imprimé principal et le circuit imprimé d'affichage.	Circuit ouvert ou rupture du câblage de communication.

### AVERTISSEMENT

- En cas de débordement, coupez l'arrivée d'eau principale avant d'appeler un technicien.
- Si de l'eau se trouve au fond de la cuve en raison d'un trop-plein ou d'une petite fuite, cette eau doit être retirée avant de redémarrer le lave-vaisselle.
- Si un code d'erreur n'ayant pas de solution s'affiche, veuillez demander l'aide d'un professionnel.

## Compteur d'utilisation

Quand le cordon d'alimentation est branché, mais le lave-vaisselle n'est pas allumé, appuyez sur le bouton Départ différé « + » et maintenez-le enfoncé pendant 5 secondes pour afficher le nombre d'utilisations sur l'écran du lave-vaisselle.



Exemple :

632 : affiche « 000 » pendant deux secondes, ensuite « 632 » pendant deux secondes, puis s'éteint.

9080 : affiche « 009 » pendant deux secondes, ensuite « 080 » pendant deux secondes, puis s'éteint.

# Dank u!

Bedankt om dit VALBERG-product te kiezen.  
ELECTRO DEPOT kiest, test, en beveelt de producten  
van het merk VALBERG aan.

Ze staan garant voor eenvoud in gebruik, betrouwbare  
prestaties en een onberispelijke kwaliteit.

Dankzij dit toestel weet u dat elk gebruik  
tevredenstellend zal zijn.

Welkom bij ELECTRO DEPOT.

Bezoek onze website: [www.electrodepot.be](http://www.electrodepot.be)



**ELECTRO DEPOT**

110

NL

## A

### Overzicht van het toestel

Overzicht van het product

## B

### Gebruik van het toestel

Uw vaatwasser gebruiken  
Installatie-instructies  
De manden vullen  
Het bestekrek gebruiken  
Geluiddempende strook plaatsen  
Gebruikershandleiding  
Uw vaatwasser gebruiken  
De vaatwasser programmeren

## C

### Praktische informatie

Onderhoud en reiniging  
Probleemoplossing  
Foutcodes  
Gebruik teller

## Overzicht van het product

### BELANGRIJK

Lees de gebruiksaanwijzing voor u de vaatwasser voor het eerst gebruikt voor optimale prestaties.

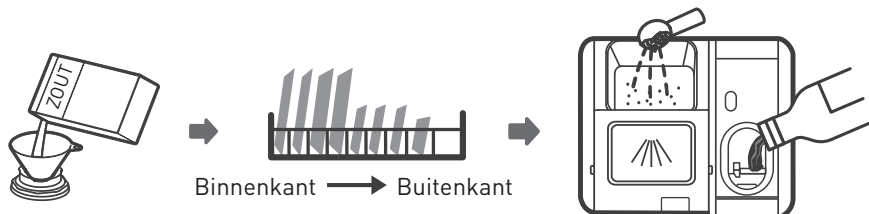
- 1 Binnenslang
- 2 Zoutreservoir
- 3 Detergenscompartiment
- 4 Bovenste sproeiarm
- 5 Onderste sproeiarm
- 6 Filters
- 7 Bestekmand
- 8 Bovenste mand
  - A Bovenste sproeiarm
  - B Kopjesrek
- 9 Onderste mand

### OPMERKING

De foto's zijn enkel ter informatie. De modellen kunnen onderling verschillen.

## Uw vaatwasser gebruiken

- Voor u uw vaatwasser gebruikt:



1. Stel de waterverzachter in
2. Doe zout in de waterverzachter
3. Vul de mand
4. Vul het vaatwasmiddelbakje

### OPMERKING

Zie de rubriek "Waterverzachter" om de waterverzachter in te stellen.

#### Doe zout in de waterverzachter

- Indien uw model geen waterverzachter heeft, kan u deze rubriek overslaan.
- Gebruik altijd zout dat voor vaatwassers bestemd is.
- Het zoutreservoir bevindt zich onder de onderste mand en moet als volgt gevuld worden:

### WAARSCHUWING

**Gebruik enkel zout dat specifiek voor vaatwassers bestemd is.**

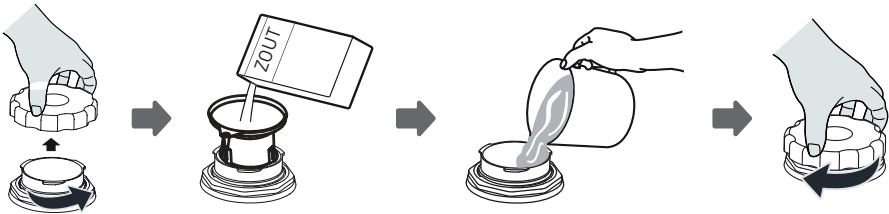
Andere soorten zout die niet speciaal bestemd zijn voor gebruik in vaatwassers, en vooral tafelsout, beschadigen de waterverzachter. Bij schade veroorzaakt door het gebruik van ongeschikt zout is de garantie van de fabrikant niet geldig en is de fabrikant niet aansprakelijk voor de veroorzaakte schade.



**WAARSCHUWING****Vul enkel met zout voor u een cyclus uitvoert.**


Op die manier vermijdt u dat korrels zout of zout water dat overloopt voor langere tijd op de bodem van de machine aanwezig blijven. Dit kan corrosie veroorzaken

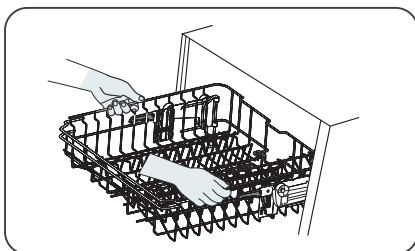
- Gelieve de onderstaande stappen te volgen om vaatwasserzout toe te voegen:



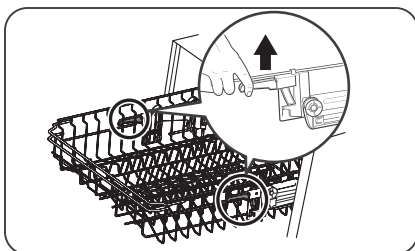
1. Haal de onderste mand eruit en draai het afdekplaatje van het reservoir los.
2. Plaats het uiteinde van de trechter (indien meegeleverd) in het gat en giet er ongeveer 1,5 kg vaatwasserzout in.
3. Vul het zoutcompartiment met water tot aan de maximaal aanduiding. Het is normaal dat er een kleine hoeveelheid water uit het compartiment loopt.
4. Nadat u het compartiment gevuld hebt, draait u de dop goed vast.
5. De indicator voor het zout zal doven van zodra het compartiment gevuld is met zout.
6. Start onmiddellijk een programma nadat u het zoutreservoir bijgevuld heeft (wij raden een kort programma aan). Het filtersysteem, de pomp of andere belangrijke delen van de machine kunnen anders beschadigd worden door het zoute water. Dit valt niet onder de garantie.

**OPMERKING**

- Het zoutreservoir moet enkel bijgevuld worden wanneer het waarschuwingslichtje  op het bedieningspaneel aangaat. Het kan zijn dat het waarschuwingslichtje aanblijft wanneer het zout bijgevuld werd. Dit is afhankelijk van de mate waarin het zout oplost. Indien er geen waarschuwingslichtje voor zout is in het bedieningspaneel (bij sommige modellen), kan u inschatten wanneer u het zout moet bijvullen op basis van het aantal cycli dat de vaatwasser gedraaid heeft.
- Voer een snel programma of een programma om te weken uit wanneer er zout gemorst is.

**Gebruikstips voor de mand**Afstellen van de bovenste mand

1. Om de bovenste mand naar boven te brengen, volstaat het om de bovenste mand bij het midden van elke kant op te tillen tot de mand in de bovenste stand klikt. Het is niet nodig om de afstelhandgrepen op te tillen.



2. Om de bovenste mand te laten zakken, tilt u de afstelhandgrepen aan weerszijden op om de mand los te maken en op een lagere stand te zetten.

#### Inklappen van het kopjesrekje

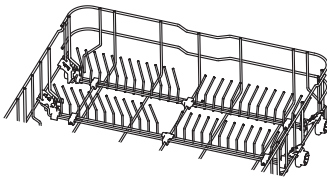
Om in de bovenste mand plaats te maken voor grotere voorwerpen, klapt u het kopjesrekje naar boven. U kunt nu hoge glazen tegen het rekje plaatsen.



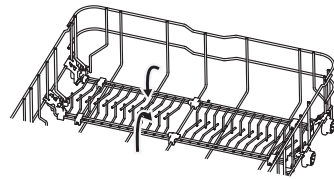
#### Inklappen van de houders

De houders in de onderste mand houden de borden en schotels op hun plaats. Ze kunnen ingeklapt worden om plaats te maken voor grotere voorwerpen.

til naar boven



klap naar achter



## Installatie-instructies

### WAARSCHUWING

#### Risico op elektrische schok

Schakel de stroom uit voor u de vaatwasser installeert. Anders loopt u risico op overlijden of een elektrische schok.

### WAARSCHUWING

Leidingen en elektrische uitrusting dienen door vakmensen geplaatst te worden.

### Over de elektrische aansluiting

### WAARSCHUWING

Voor uw persoonlijke veiligheid:

- Gebruik geen verlengsnoer of adapter voor dit toestel.
- Knip nooit de aarding van het netsnoer door en verwijder het niet.

### Elektrische vereisten

Informatie over de spanning vindt u op het typeplaatje zodat u de vaatwasser op de juiste spanning kan aansluiten. Gebruik de vereiste zekering 10A/13A/16A, een vertragende zekering of een stroomonderbreker en zorg voor een apart circuit dat alleen dit apparaat bedient.

### Elektrische aansluiting

Zorg ervoor dat de spanning en frequentie van de voeding overeenkomt met die op het typeplaatje. Sluit de stekker enkel aan op een stopcontact dat behoorlijk geaard is. Vervang het stopcontact indien het niet geschikt is voor de stekker van het toestel. Gebruik geen adapters aangezien die kunnen leiden tot oververhitting en brandwonden.

### WAARSCHUWING

Zorg ervoor dat het toestel goed geaard is voor u het gebruikt

## Watertoevoer en -afvoer

### Aansluiting koud water

- Sluit de toevoerslang voor koud water aan op een connector met schroefdraad (3/4 inch [19,05 mm]) en zorg ervoor dat ze goed vast zit.
- Laat het water even lopen om te kijken of het zuiver is bij nieuwe waterleidingen of wanneer de leidingen een tijdje niet gebruikt zijn.
- Dit is een noodzakelijke voorzorgsmaatregel om te vermijden dat de watertoevoer geblokkeerd geraakt en het toestel beschadigd wordt.



gewone toevoerslang



veiligheidstoevoerslang

### Over de veiligheidstoevoerslang

- De veiligheidstoevoerslang heeft dubbele wanden. Het systeem blokkeert het water wanneer de toevoerslang breekt en wanneer de met lucht gevulde ruimte tussen de toevoerslang zelf en de buitenste geribbelde slang vol water zit.

## WAARSCHUWING

Een slang die aan een kraan vastgemaakt is kan barsten wanneer ze op dezelfde leiding aangesloten is als de vaatwasser. Indien uw gootsteen een slang heeft, is het aanbevolen om ze los te maken en het gat dicht te maken.

Hoe de veiligheidstoevoerslang aansluiten

1. Trek de veiligheidstoevoerslangen uit de opslagruimte achteraan de vaatwasser.
2. Schroef de schroeven van de veiligheidstoevoerslang aan de kraan vast met een draad van 3/4 inch [19,05 mm].
3. Draai de kraan volledig open voor u de vaatwasser start.

Hoe de veiligheidstoevoerslang verwijderen

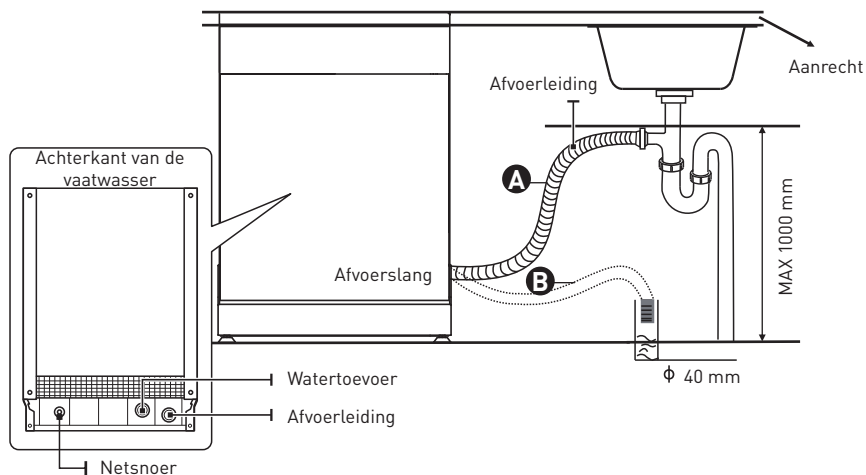
1. Draai de waterkraan dicht.
2. Schroef de veiligheidstoevoerslang van de kraan los.

**Aansluiting van de afvoerslangen**

Steek de afvoerslang in een afvoerbuis met een diameter van minstens 4 cm of laat deze in de gootsteen lopen en zorg ervoor dat deze niet geplooid of geklemd wordt. De hoogte van de afvoerslang mag niet hoger zijn dan 1.000 mm. Het vrije uiteinde van de slang mag niet in water ondergedompeld worden om het terugstromen van het water te voorkomen.

**WAARSCHUWING**

Maak de afvoerslang goed vast in deze **A** of deze positie **B**

Hoe overtollig water uit de slang verwijderen

Wanneer de aansluiting op de afvoerleiding hoger geplaatst is dan 1.000 mm kan er overtollig water achterblijven in de afvoerslang. Overtollig water moet dan uit de slang verwijderd

worden in een kom of geschikte bak die buiten en lager dan de wasbak geplaatst is.

#### Waterafvoer

- Sluit de waterafvoerslang aan. De afvoerslang moet goed aansluiten om lekken te vermijden.
- Zorg ervoor dat de afvoerslang niet gebogen of platgedrukt is.

#### Verlengslang

- Zorg ervoor dat u een gelijkaardige afvoerslang gebruikt indien u een verlengslang nodig heeft.
- Ze mag niet langer dan 4 meter zijn. Dit zou kunnen leiden tot een verminderde werking van de vaatwasser.

#### Aansluiting met sifon

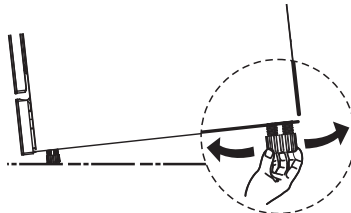
De aansluiting van de afvoer moet lager zijn dan 1000 mm (maximum) vanaf de onderkant van de vaatwasser.

#### **Plaatsing van het toestel**

- Plaats het toestel op de gewenste plaats. De achterkant moet tegen de muur erachter rusten en de zijkanten tegen de kastjes ernaast of de muur.
- De vaatwasser is uitgerust met een watertoevoer- en afvoerslang die rechts of links geplaatst kan worden om de installatie te vereenvoudigen.

#### Het toestel waterpas plaatsen

Zodra het toestel op de gewenste plek is geplaatst, kan de hoogte van de vaatwasser aangepast worden door aan de verstelpoten te draaien. Het toestel mag in geen geval meer dan 2° gekanteld worden.



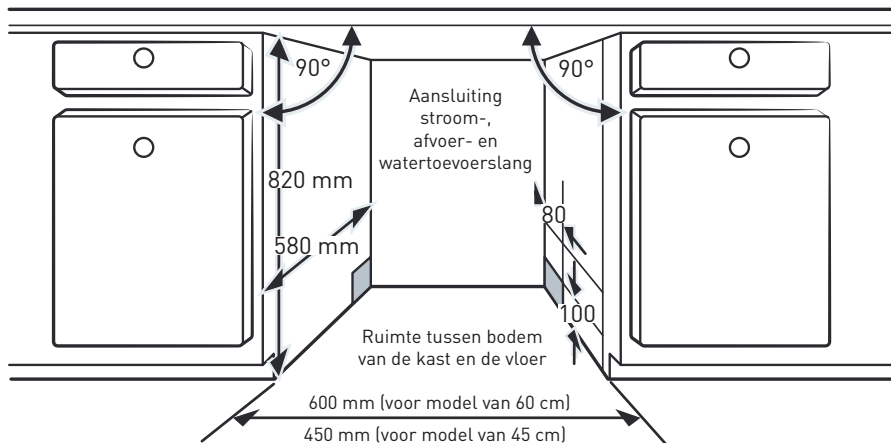
#### **Ingebouwde installatie (voor het inbouwmodel)**

##### Stap 1. Selecteer de beste locatie voor de vaatwasser

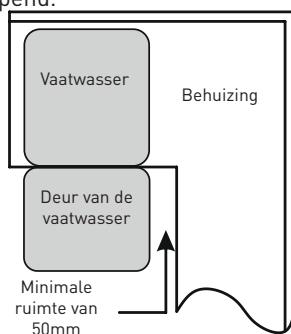
- De vaatwasser dient dichtbij een bestaande watertoevoer, -afvoer en een stopcontact geplaatst te worden.

- Afbeeldingen van de afmetingen van de kast en van de positie waarin de vaatwasser geïnstalleerd moet worden.

1. Minder dan 5 mm tussen de bovenkant van de vaatwasser en de kast en de buitendeur die is afgelijnd met de kast.



2. Wanneer de vaatwasser in de hoek van de kast geïnstalleerd wordt, moet er enige ruimte zijn wanneer de deur wordt geopend.



## OPMERKING

Afhankelijk van waar uw stopcontact zich bevindt, is het mogelijk dat u een gat moet zagen in de tegenovergestelde kant van de kast.



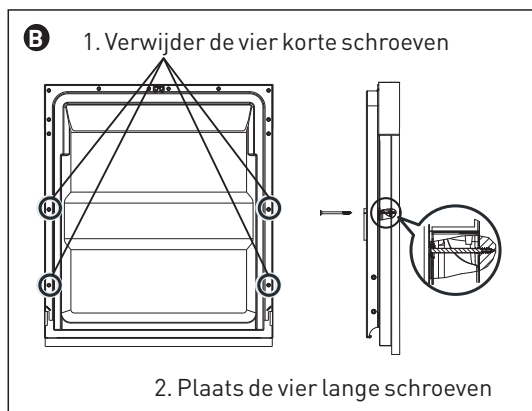
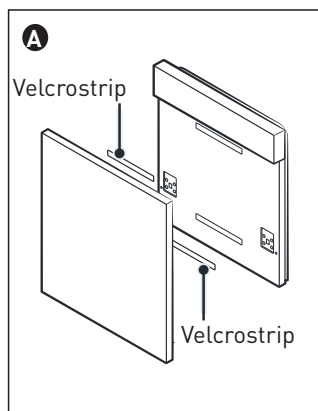
## Stap 2. Afmetingen van het sierpaneel en installatie

**OPMERKING**

Volg de specifieke installatie-instructie om het sierpaneel te bevestigen.

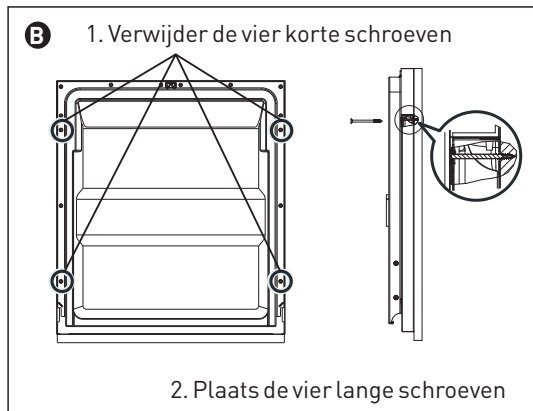
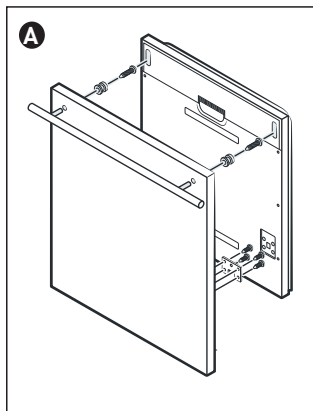
## Half ingebouwd model

- Scheid de velcrostrip **A** en de velcrostrip **B** en bevestig de velcrostrip **A** op de binnenkant van het sierpaneel. Bevestig de viltel velcrostrip **B** op de buitendeur van de vaatwasser (zie afbeelding **A**). Bevestig na het positioneren van het paneel, het paneel op de buitendeur met behulp van de schroeven en bouten (zie afbeelding **B**).



## Volledig ingebouwd model

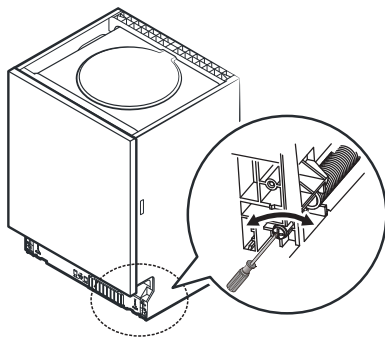
- Installeer de haak op het sierpaneel en plaats de haak in de uitsparing van de buitendeur van de vaatwasser (zie afbeelding **A**). Bevestig na het positioneren van het paneel, het paneel op de buitendeur met behulp van de schroeven en bouten (zie afbeelding **B**).



### Stap 3. Aanpassing van de spanning van de deurveer

1. De deurveren zijn in de fabriek ingesteld op de juiste spanning voor de buitendeur. Indien het sierpaneel wordt geïnstalleerd zult u de spanning van de deurveer moeten aanpassen. Draai de aanpassingsschroef om de kabel van de veer losser of strakker te maken.

2. De spanning van de deurveer is juist wanneer de deur in volledig geopende positie horizontaal blijft en daarna met een lichte duw van de vinger naar boven gaat om te sluiten.

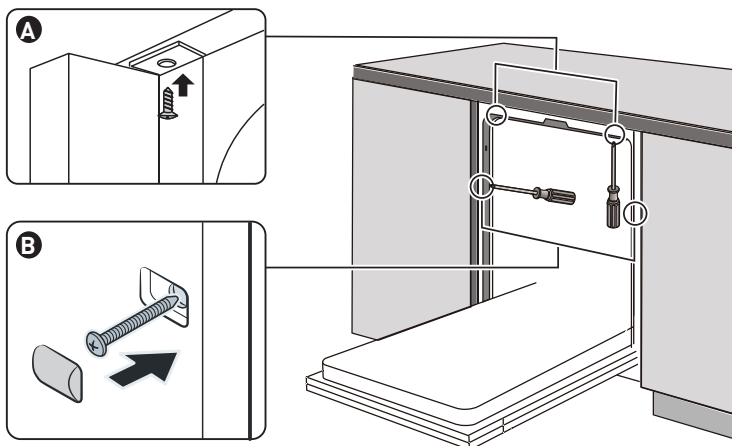


### Stap 4. Stappen om de vaatwasser te installeren

#### **OPMERKING**

Zie de specifieke installatiestappen in de installatietekeningen.

1. Bevestig de condensatiestroom onder het werkvlak van de kast. Zorg ervoor dat de condensatiestroom gelijk loopt met de rand van het werkvlak. (Stap 2)
2. Sluit de aanvoerslang aan op de koudwatertoevoer.
3. Sluit de afvoerslang aan.
4. Sluit de stroomkabel aan.
5. Plaats de vaatwasser in de kast.
6. Zet de vaatwasser waterpas. De achterste voet kan vanaf de voorkant van de vaatwasser worden aangepast door met een kruiskopschroevendraaier aan de kruisschroef in het midden van de onderkant van de vaatwasser te draaien. Om de voorste voet aan te passen, gebruik een platte schroevendraaier en draai aan de voorste voet tot de vaatwasser waterpas staat. (Stap 5 tot Stap 6)
7. Installeer de deur van het meubel op de buitendeur van de vaatwasser. (Stap 7 tot Stap 10)
8. Pas de spanning van de deurveren aan door een kruiskopschroevendraaier in wijzerzin te draaien om de linker en rechter deurveren aan te spannen. Zo niet kunt u uw vaatwasser beschadigen. (Stap 11)
9. De vaatwasser moet stevig op zijn plaats staan. Er zijn twee manieren om dit te doen:
  - A** Normaal werkoppervlak: Plaats de installatiehaak in de gleuf van het zijpaneel en maak hem aan het werkvlak vast met de schroeven.
  - B** Marmere of granieten werkblad: Maak de zijkant vast met schroeven.



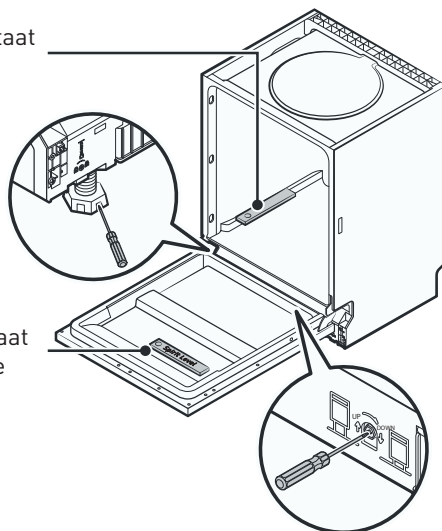
### Stap 5. De vaatwasser waterpas zetten

De vaatwasser moet waterpas staan om de vaat goed te kunnen schikken en voor goede wasprestaties.

1. Plaats zoals weergegeven een waterpas op de deur en het rek binnenin om te controleren of de vaatwasser waterpas staat.
2. Zet de vaatwasser waterpas door de drie verstelvoetjes individueel aan te passen.
3. Wanneer u de vaatwasser waterpas zet, let op dat u de vaatwasser niet doet omkantelen.

Kijk na of het toestel recht staat  
van voor naar achter

Kijk na of het toestel recht staat  
van de ene tot de andere zijde



### OPMERKING

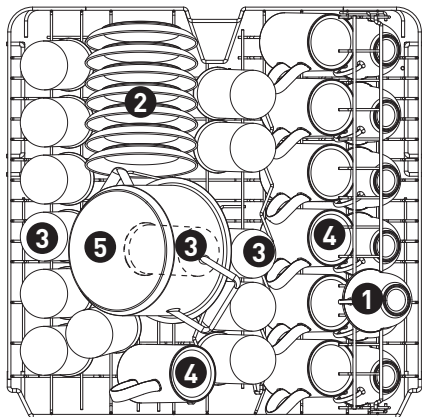
De maximale aanpassingshoogte van de voeten is 50 mm.

## De manden vullen

### Volgens EN60436:

De vaatwasser volledig vullen bespaart water en energie.

### Bovenste mand:



#### Aantal

#### Categorie

1

Kopjes

2

Schoteltjes

3

Glazen

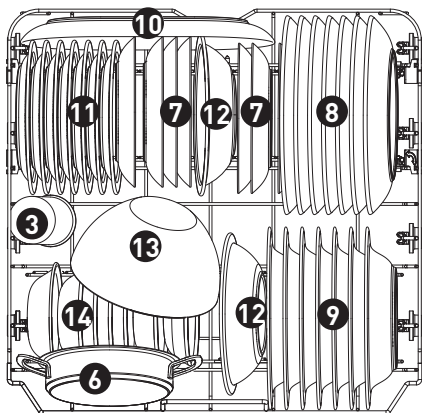
4

Mokken

5

Kleine pot

### Onderste mand:



#### Aantal

#### Voorwerp

6

Ovenschaal

7

Dessertborden

8

Grote borden

9

Soepborden

10

Ovale schotels

11

Melamine  
dessertbordjes

12

Kommen in  
melanine

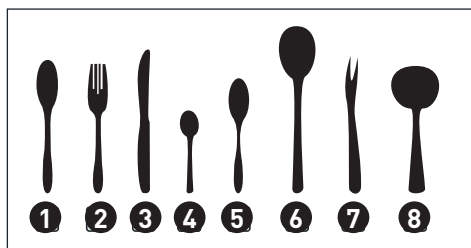
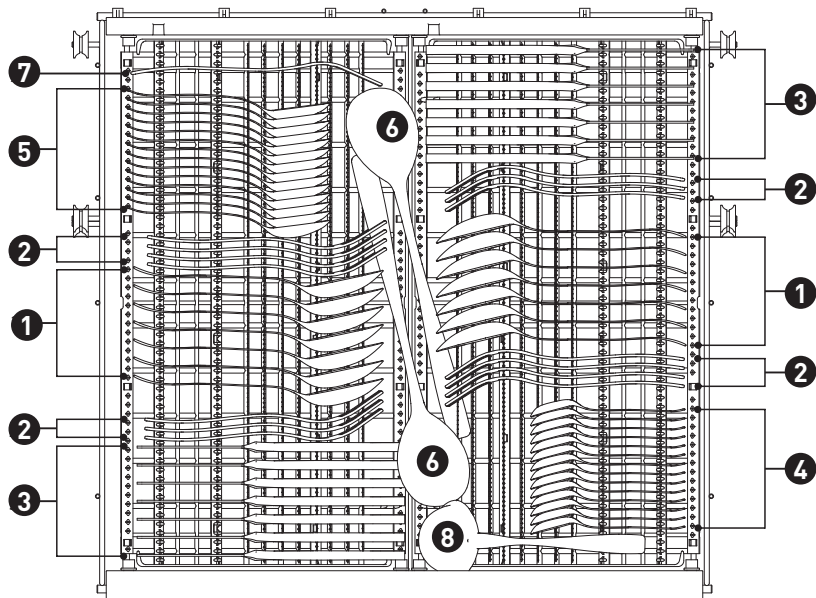
13

Glazen kommen

14

Dessertkommen

## Bestekrek:



Informatie over compatibiliteitstesten in  
overeenstemming met EN60436

Vermogen: 14 couverts

Positie van de bovenste mand: lagere stand

Programma: ECO

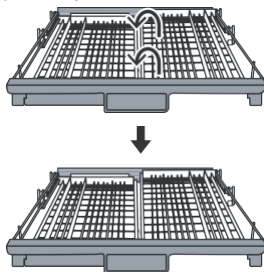
Afstelling van het spoelmiddel: MAX

Afstelling van de waterontharder: H3

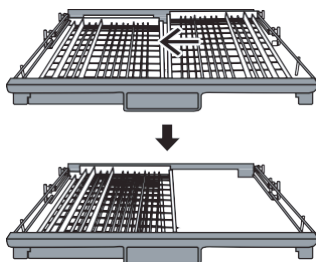
Aantal	Voorwerp
1	Soeplepels
2	Vorken
3	Messen
4	Theelepels
5	Dessertlepels
6	Opscheplepels
7	Opschepvork
8	Sauslepel

## Het bestekrek gebruiken

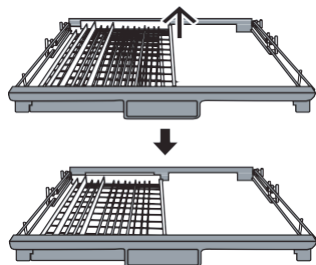
- Om meer ruimte te hebben voor de mand voor glazen, kan het bestekrek verwijderd worden. Stappen:
- Til de rechterkant van het rek op terwijl u beide kanten van het rek vlak houdt



- Schuif de rechterkant van het rek naar links. De onderdelen overlappen.
- Trek aan de rechterkant van het rek om het volledig te verwijderen.



- Doe dit in omgekeerde volgorde om de rechterkant van het rek terug in de juiste positie te plaatsen.



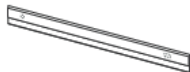
### OPMERKING

Het aantal plaatsinstellingen op het energielabel is gebaseerd op borden van 25 cm diameter en glazen van 12 cm hoog.

## Geluiddempende strook plaatsen



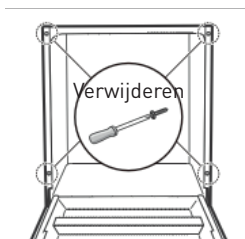
**Bovenkant** (enkel voor ingebouwde vaatwasser)



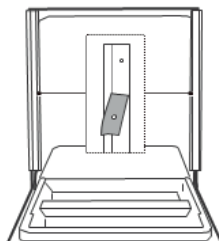
**Links**



**Rechts**



Verwijder de vier schroeven van de platen aan de linker- en rechterkant.



Verwijder de beschermende folie van de geluiddempende stroken en plak de stroken op de platen. Zorg ervoor dat de gaten gelijk liggen



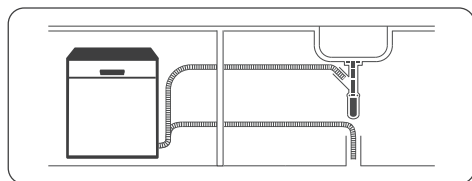
Maak de vier schroeven op de platen vast



## Gebruikershandleiding

Lees de overeenkomstige inhoud van de handleiding voor gedetailleerde werkmethode.

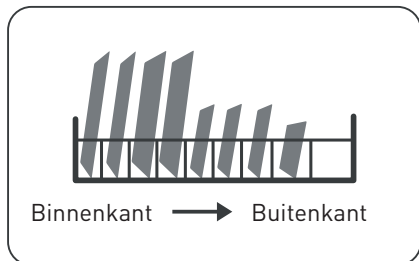
1. De vaatwasser installeren  
(Zie de rubriek "INSTALLATIE-INSTRUCTIES")



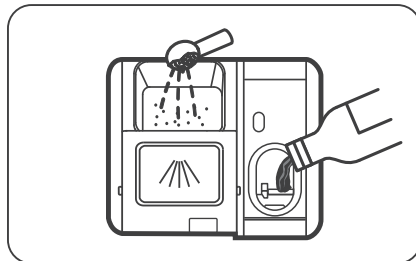
2. Verwijder grove restjes van de vaat. Spoel de vaat niet af voor u hem in de vaatwasser plaatst.



3. Vul de manden



4. Doe vaatwasproduct in het vaatwasmiddelbakje en voeg spoelmiddel toe.

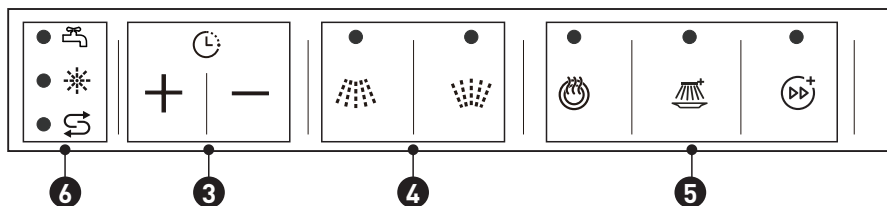
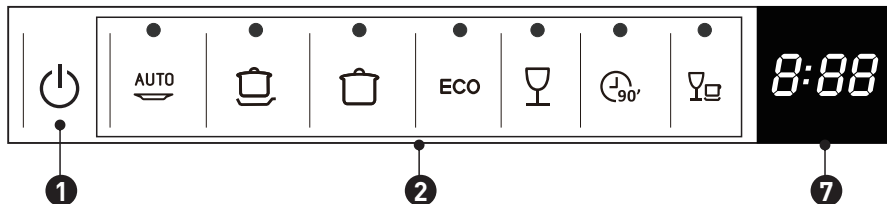


5. Selecteer een geschikt programma en start de vaatwasser.

















## Uw vaatwasser gebruiken

### Bedieningspaneel


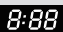


## Bediening [Knop]

<b>1</b> Aan/uit- knop		Druk op deze knop om uw vaatwasser aan te zetten; het scherm licht op.
<b>2</b> Program- ma		<b>Automatisch</b> Voor licht, normaal of zwaar bevuild servies met of zonder opgedroogde voedselresten.
		<b>Intensief</b> Erg vuile spullen zoals potten en pannen. Met opgedroogde voedselresten.
		<b>Universeel</b> Voor normaal bevuilde ladingen, zoals potten, borden, glazen en lichtjes vuile pannen.
		<b>ECO</b> Dit is het standaard programma. Het is geschikt voor normaal bevuild servies. Het is het meest efficiënte programma op het gebied van energie- en waterverbruik voor dat soort servies.
		<b>Glas</b> Voor lichtjes bevuild servies en glas.
		<b>90 min</b> Voor normaal bevuilde ladingen die snel afgewassen moeten worden.
		<b>Snel</b> Een korter afwasprogramma voor lichtjes vuile ladingen die niet gedroogd moeten worden.
		
<b>3</b> Uitgestelde start +/-		Druk op de knop «+» om tijd toe te voegen of op «-» knop om de tijd te verminderen. Het maximum is 24 uur.
		<b>Bovenste</b> Wanneer u Bovenste selecteert, wordt enkel de vaat in de bovenste mand gewassen. Het sproeisysteem van de onderste mand werkt dan niet.
		<b>Onderste</b> Wanneer u Onderste selecteert, wordt enkel de vaat in de onderste mand gewassen. Het sproeisysteem van de bovenste mand werkt dan niet.
<b>4</b> Alt		

5	Functie		<b>Extra reiniging</b> Om zeer vuile, moeilijk te reinigen vaat te wassen. (Dit kan niet gebruikt worden met Automatisch of Snel)
			<b>Extra drogen</b> Om vaat beter te drogen. (Dit kan niet gebruikt worden met Automatisch of Snel)
			<b>Turbo speed+</b> Dit vermindert de duur van het programma. (Dit kan niet gebruikt worden met Automatisch of Snel)

### Weergavescherm

6	Waarschuwing-lampje		<b>Spoelmiddel</b> Wanneer het lampje "❄" brandt, betekent dit dat het spoelmiddel van de vaatwasser bijna op is en bijgevuld moet worden.
			<b>Zout</b> Wanneer het lampje "↻" brandt, betekent dit dat het zout van de vaatwasser bijna op is en bijgevuld moet worden.
			<b>Waterkraan</b> Wanneer het lampje "🚰" brandt, betekent dit dat de waterkraan dicht is.
7	Scherm		Om de resttijd en de uitsteltijd, foutcodes enz. weer te geven.

### Waterverzachter

- De waterverzachter moet manueel ingesteld worden met de waterhardheidsknop.
- De waterverzachter verwijdert mineralen en zout van het water aangezien ze de werking van het toestel op een negatieve manier beïnvloeden.
- Hoe meer mineralen, hoe harder het water is.
- De waterverzachter moet ingesteld worden in functie van de hardheid van het water in uw streek.
- Uw plaatselijke watervoorziening kan u inlichten over de hardheid van het water in uw streek.

### Het zoutverbruik aanpassen

- De hoeveelheid zout die de vaatwasser verbruikt kan aangepast worden in functie van de hardheid van het gebruikte water. Hierdoor wordt de verbruikte hoeveelheid zout

geoptimaliseerd en correct ingesteld.

- Volg de stappen hieronder om het zoutverbruik aan te passen.

1. Open de deur en zet het toestel aan;
2. Druk binnen de 60 seconden nadat u het toestel hebt aangezet langer dan 5 seconden op de programmaknop Snel om de waterverzachter in te stellen.
3. Druk opnieuw op de programmaknop Snel om de juiste instelling te selecteren in functie van de waterhardheid in uw streek. De instelling volgt deze sequentie: H3->H4->H5->H6->H1->H2->H3;
4. Druk op de Aan/Uit-knop om de instelmodus te beëindigen.

WATERHARDHEID				Niveau van de waterverzachter	Regeneratie vindt elke X programmasequentie plaats <sup>1)</sup>	Zoutverbruik (gram/cyclus)
Duits dH	Frans fH	Brits Clarke	Mmol/l			
0 - 5	0 - 9	0 - 6	0 - 0,94	H1	Geen regeneratie	0
6 - 11	10 - 20	7 - 14	1,0 - 2,0	H2	10	9
12 - 17	21 - 30	15 - 21	2,1 - 3,0	H3	5	12
18 - 22	31 - 40	22 - 28	3,1 - 4,0	H4	3	20
23 - 34	41 - 60	29 - 42	4,1 - 6,0	H5	2	30
35 - 55	61 - 98	43 - 69	6,1 - 9,8	H6	1	60

1°dH=1.25 °Clarke=1.78 °fH=0.178mmol/l

De fabrieksinstelling: H3

<sup>1)</sup> Elke cyclus met regeneratie verbruikt 2.0 liter water extra, het energieverbruik neemt toe met 0.02 kWh en het programma duurt 4 minuten langer.

## OPMERKING

Zie de rubriek "Zout in de waterverzachter doen" wanneer er niet voldoende zout in de vaatwasser zit.

**OPMERKING**

**Indien uw model geen waterverzachter heeft, kan u deze rubriek overslaan.**

**Waterverzachter**

- De hardheid van het water verschilt van streek tot streek. Wanneer hard water gebruikt wordt in de vaatwasser, komt er aanslag op de vaat en het keukengerei.
- De vaatwasser is uitgerust met een speciale waterverzachter die zout gebruikt dat speciaal bedoeld is om kalk en mineralen uit het water te verwijderen.

**De vaat voorbereiden en inladen**

- Het kan aangewezen zijn om keukengerei te kopen dat vaatwasserbestendig is.
- Selecteer voor sommige zaken de laagst mogelijke temperatuur.
- Neem glazen en bestek niet onmiddellijk nadat het programma beëindigd is uit de vaatwasser om schade te voorkomen.

Om bestek/vaat te wassen

Niet geschikt voor de vaatwasser:

- Bestek met houten, hoornen, porseleinen of paarlemoeren handvatten
- Plastic voorwerpen die niet hittebestendig zijn
- Ouder bestek met gelijmde delen die niet temperatuurvast zijn
- Gebonden bestek of servies
- Voorwerpen in tin of koper
- Kristalglas
- Stalen voorwerpen die kunnen roesten
- Houten borden
- Voorwerpen uit synthetische vezels

Zijn beperkt geschikt:

- Sommige soorten glazen kunnen dof worden na een groot aantal afwasbeurten
- Onderdelen in zilver en aluminium ontkleuren vaak tijdens het wassen
- Geglazuurde patronen kunnen vervagen wanneer ze vaak gewassen worden

#### Aanbevelingen voor het inladen van de vaatwasser

• Verwijder grote voedingsresten. Maak restjes aangebrand eten in pannen zacht. Het is niet nodig om de vaat onder stromend water te spoelen. Volg deze richtlijnen voor de beste prestaties van de vaatwasser.

#### **(De functies en het uitzicht van de manden en bestekmand kunnen van model tot model verschillen)**

Plaats voorwerpen op de volgende manier in de vaatwasser:

- Voorwerpen zoals kopjes, glazen, potten en pannen moeten omgedraaid worden.
- Gebogen voorwerpen of voorwerpen met vakjes moeten schuin geplaatst worden zodat het water er kan aflopen.
- Alle gerei moet veilig opgestapeld worden zodat het niet kan omvallen.
- Alle keukengerei moet zo geplaatst worden dat de armen zonder problemen kunnen ronddraaien.
- Plaats holle voorwerpen zoals kopjes, glazen en pannen met de opening naar beneden zodat er geen water in kan komen te staan.
- Plaats geen vaat en bestek in of op elkaar.
- Om schade te voorkomen mogen glazen niet met elkaar in contact komen.
- De bovenste mand is gemaakt om meer delicate en lichtere vaat te bevatten zoals glazen en koffie- en theekopjes.
- Het kan gevaarlijk zijn om messen met lang snijvlak naar boven te richten.
- Lange en/of scherpe voorwerpen zoals snijmessen moeten horizontaal in de bovenste mand geplaatst worden.
- Plaats niet te veel in de vaatwasser. Dit is belangrijk voor goede resultaten en voor een redelijk energieverbruik.

#### **OPMERKING**

Heel kleine voorwerpen kunnen niet in de vaatwasser gewassen worden aangezien ze gemakkelijk uit de mand kunnen vallen.

De borden verwijderen

Om te vermijden dat er water uit de bovenste mand in de onderste mand druppelt, raden we aan dat u eerst de onderste mand leeg maakt gevolgd door de bovenste mand.

**WAARSCHUWING**

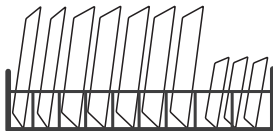
**Voorwerpen zullen heet zijn!** Wacht ongeveer 15 minuten voor u uw glazen en bestek uit de vaatwasser neemt nadat het programma beëindigd is om schade te voorkomen.

De bestekmand inladen

De bovenste mand is speciaal ontworpen om delicaat en lichter servies in te plaatsen, zoals glazen, koffie- en theekoppen en schotels, alsook borden, kleine kommen en ondiepe pannen (zolang ze niet te vuil zijn). Plaats de borden en het kookgerei zodanig dat het niet verplaatst wordt door de waterstraal.

De bestekmand inladen

- We raden aan dat u grote en moeilijk te reinigen voorwerpen in de onderste mand plaatst: zoals potten, pannen, deksels, serveerschotels en -kommen, zoals weergegeven in onderstaande afbeelding. Het is aanbevolen om serveerschotels en deksels aan de zijkant van de manden te plaatsen om te voorkomen dat ze het draaien van de bovenste sproeiarm blokkeren.
- De maximum diameter van borden die voor het vaatwasmiddelbakje geplaatst worden is 19 cm, zodat het bakje vlot open kan openen.

De bestekmand inladen

Bestek moet afzonderlijk van elkaar in de juiste posities in de bestekmand worden geplaatst. Vermijd bestek op elkaar te plaatsen om onvoldoende wasresultaten te voorkomen.



**WAARSCHUWING**

Zorg ervoor dat er onderaan geen voorwerpen uitsteken. Plaats scherpe voorwerpen altijd met de scherpe punt naar beneden!

**OPMERKING**

Laad de manden altijd in volgens de standaard opties voor het beste resultaat.

**Functie van het spoel- en vaatwasmiddel**


Het spoelmiddel wordt in de laatste spoeling toegevoegd om te vermijden dat er waterdruppels op uw vaat terechtkomt, wat tot vlekken en strepen kan leiden. De vaat droogt ook beter op omdat het water van de vaat afloopt. Uw vaatwasser is ontworpen om met vloeibaar spoelmiddel gebruikt te worden.

**WAARSCHUWING**

Gebruik enkel merkproducten voor het spoelmiddel voor de vaatwasser. Vul het spoelmiddelvak nooit met andere stoffen (bijv. reinigingsmiddel voor vaatwassers, vloeibaar detergent).  
Die kunnen het toestel beschadigen.

Wanneer moet het spoelmiddel worden bijgevuld?

Hoe vaak het spoelmiddelvak bijgevuld moet worden, hangt af van de frequentie van de afwasbeurten van de vaatwasser en van de gebruikte instelling voor het spoelmiddel.

- Het controlelampje voor het spoelmiddel (  ) gaat branden wanneer het spoelmiddel moet worden bijgevuld.
- Giet het spoelmiddelcompartiment niet te vol.

Functie van vaatwasmiddel

• De detergentia, met hun chemische bestanddelen, zijn noodzakelijk om vuil te verwijderen, te vernalen en af te voeren uit de vaatwasser.

- Het merendeel van de kwaliteitsdetergentia die verkocht worden, is hiervoor geschikt.

**WAARSCHUWING**

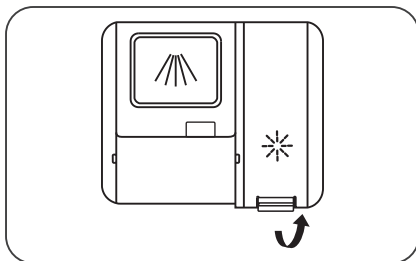
Correct gebruik van afwasmiddel

- Gebruik enkel afwasmiddel dat speciaal voor vaatwassers bestemd is. Zorg ervoor dat het product droog en fris blijft.
- Vul het afwasmiddelbakje pas wanneer u klaar bent om de vaatwasser te starten

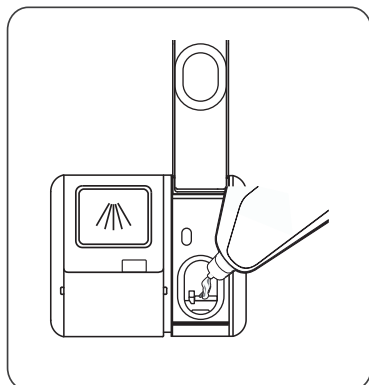
**Vaatwasmiddel is een bijtend product! Houd vaatwasmiddel buiten bereik van kinderen.**

Het spoelmiddelbakje vullen

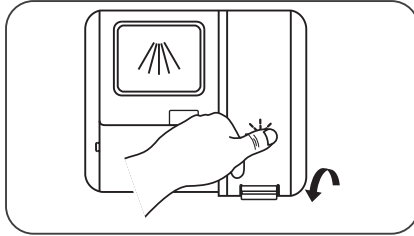
1. Verwijder de afdekkap van het spoelmiddelcompartiment door het deksel op te heffen.



2. Giet het spoelmiddel in het compartiment en let er hierbij op het niet te veel te vullen.



3. Sluit vervolgens het compartiment door het deksel naar beneden te duwen.



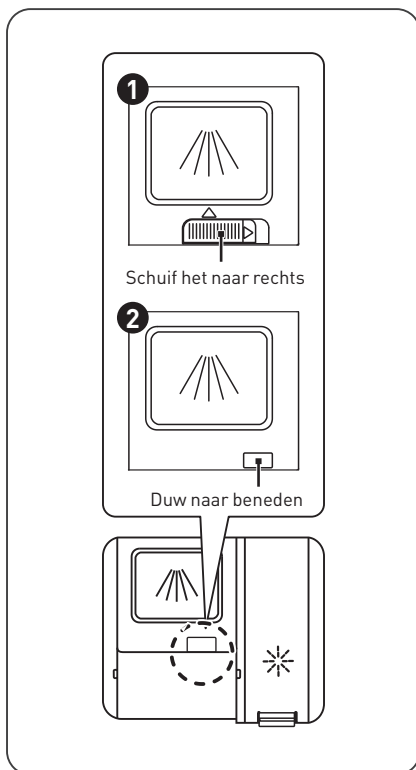
#### Het spoelmiddelbakje aanpassen

Om een optimale droogprestatie te verkrijgen met zo weinig mogelijk spoelmiddel, kan de vaatwasser worden ingesteld om het verbruik te regelen volgens de gebruiker. Gelieve de onderstaande stappen te volgen.

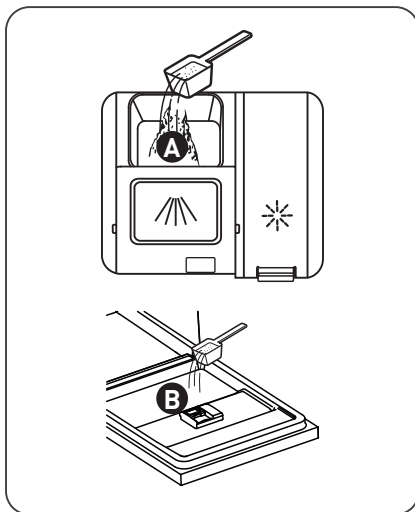
1. Open de deur en zet het toestel aan.
2. Druk binnen de 60 seconden nadat het toestel is aangezet langer dan 5 seconden op de knop Snel en druk vervolgens op de knop «+» om naar de instelling te gaan; het controlelampje van het spoelmiddel knippert met een frequentie van 1 Hz.
3. Druk opnieuw op de knop Snel om de juiste instelling te selecteren in functie van uw gewoonten. De instelling volgt deze sequentie: D1->D2->D3->D4->D5->D1. Hoe hoger het cijfer, hoe meer spoelmiddel de vaatwasser zal gebruiken.
4. Doe 5 seconden lang niets of druk op de Aan/Uit-knop om de instelling te voltooien en de instelmodus te verlaten.

#### Het afwasmiddelbakje vullen

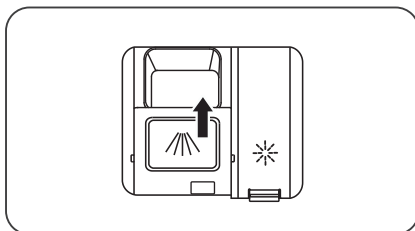
1. Kies de openingswijze die van toepassing is op uw product.
  - 1 Open het luikje door de vergrendeling te verschuiven.
  - 2 Open het luikje door de vergrendeling naar beneden te drukken.



2. Voeg vaatwasmiddel toe aan het grootste vakje **A** voor het hoofdprogramma. Voor een optimaal wasresultaat, vooral wanneer de vaat erg vuil is, giet u een klein beetje detergens op de deur. Deze extra dosis detergens zal tijdens de voorwasfase worden gebruikt.



3. Sluit het klepje door dit naar voor te schuiven terwijl u het naar beneden duwt.



### OPMERKING






Volg de aanbevelingen van de fabrikant op de verpakking van het vaatwasmiddel.


## De vaatwasser programmeren

### Tabel met wascycli

• De tabel hieronder geeft aan welke programma's het beste zijn voor het niveau van bevuilding en hoeveel vaatwasproduct nodig is. Ze geeft ook allerlei informatie over de programma's.

(●) Betekent: Het spoelmiddelvakje moet bijgevuld worden.

Programma	Omschrijving van de cyclus	Wasmiddel voor-/hoofd-programma	Duur (min)	Energieverbruik (kWh)	Waterverbruik (L)	Spoelmiddel
 <b>Automatisch</b>	Voorwas (45°C) Automatisch wassen (55-65°C) Spoelen Spoelen (50-55°C) Drogen	4/18g (1 of 2 tabletten)	85-150	0,850-1,550	8,5-18,0	●
 <b>Intensief</b>	Voorwas (50°C) Wassen (65°C) Spoelen Spoelen Spoelen (60°C) Drogen	4/18g (1 of 2 tabletten)	205	1.500	16,6	●
 <b>Universeel</b>	Voorwas (45°C) Wassen (55°C) Spoelen Spoelen (55°C) Drogen	4/18g (1 of 2 tabletten)	173	0,980	13,6	●
<b>ECO</b> (*EN60436)	Voorwassen Wassen (50°C) Spoelen Spoelen (50°C) Drogen	4/18g (1 of 2 tabletten)	220	0,645	9,8	●
 <b>Glas</b>	Voorwassen Wassen (50°C) Spoelen (50°C) Spoelen (50°C) Drogen	4/18g (1 of 2 tabletten)	120	0,950	13,5	●
 <b>90 min</b>	Wassen (60°C) Spoelen Spoelen (50°C) Drogen	22g (1 tablet)	90	1,180	12,5	●

Programma	Omschrijving van de cyclus	Wasmiddel voor-/hoofd-programma	Duur (min)	Energieverbruik (kWh)	Waterverbruik (L)	Spoelmiddel
 <b>Snel</b>	Wassen (45°C) Spoelen (45°C)	12g (1 tablet)	30	0,820	11,2	○

## OPMERKING

ECO (\*EN60436): Het ECO-programma is geschikt om normaal bevuild servies te reinigen. Voor dit gebruik is dit het meest efficiënte programma op het gebied van energie- en waterverbruik. Het wordt gebruikt om naleving van de Europese wetgeving op het gebied van ecologisch ontwerp te beoordelen.

### Energie besparen

1. Servies eerst afspoelen onder de kraan betekent een hoger energie- en waterverbruik en wordt niet aanbevolen.
2. Wanneer u de vaat doet met een vaatwasser voor huishoudelijk gebruik, verbruikt u gewoonlijk minder energie en water dan wanneer u met de hand afwast indien u de instructies volgt.

### Een programma starten

1. Trek de onderste en bovenste mand eruit, plaats de vaat erin en duw ze er terug in. Het is aanbevolen om eerst de onderste mand in te laden en daarna de bovenste.
2. Vul met vaatwasmiddel.
3. Steek de stekker in het stopcontact. Zie de laatste pagina "Productfiche" voor de stroomtoevoer. Zorg ervoor dat de watertoevoer volledig open staat.
4. Open de deur en druk op de Aan/Uit-knop.
5. Kies een programma. Het lichtje gaat aan. Sluit de deur en de vaatwasser zal haar cyclus starten.

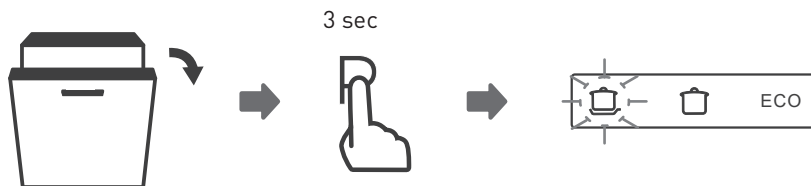
### Programma veranderen in het midden van de cyclus

- Het is enkel mogelijk om een programma te veranderen wanneer het net begonnen is. Anders is het vaatwasproduct misschien reeds toegevoegd of het afwaswater met

vaatwasmiddel reeds afgevoerd. Indien dat het geval is, moet de vaatwasser opnieuw ingesteld worden en moet het vaatwasmiddelbakje bijgevuld worden.

Volg onderstaande instructies om de vaatwasser opnieuw in te stellen:

1. Open de deur een beetje om de vaatwasser te stoppen. Nadat de sproeiarm volledig stil staat kunt u de deur volledig openen.
2. Druk langer dan drie seconden op gelijk welke programmatoets. De machine gaat in programmaselectiemodus.
3. U kunt het programma naar de gewenste cyclusinstelling wijzigen.



### Een bord vergeten?

U kan een vergeten bord toevoegen op welk moment dan ook voor het vaatwasmiddelbakje geopend werd. Volg onderstaande instructies indien dit het geval is:

1. Open de deur een beetje om het afwassen te stoppen..
2. Nadat de sproeiarm volledig stilstaat kunt u de deur volledig openen.
3. Voeg het vergeten bord toe.
4. Sluit de deur.
5. De vaatwasser begint opnieuw te werken.





**WAARSCHUWING**

Het is gevaarlijk om de deur in het midden van de cyclus te openen aangezien de hete stoom u kan verbranden.

**Automatisch openen**

Na het wassen opent de deur automatisch om betere droogresultaten te bekomen.

**OPMERKING**

De deur van de vaatwasser mag niet geblokkeerd zijn wanneer ze ingesteld is om automatisch te openen. Hierdoor kan de vergrendelfunctie van de deur verstoord raken.



Het automatisch openen van de deur is standaard geactiveerd en werkt voor alle programma's behalve voor de korte programma's (bijv. het snel programma en het weekprogramma wanneer dit beschikbaar is op uw toestel). Het automatisch openen van de deur kan niet uitgeschakeld worden.

acti  
door

## Onderhoud en reiniging

### De buitenkant schoonmaken

#### Deur en deurafdichting

- Maak de deurafdichting regelmatig schoon met een zachte vochtige doek om voedselresten te verwijderen.
- Wanneer de vaatwasser wordt gevuld, kunnen er resten van voeding en dranken op de zijkanten van de deur van de vaatwasser druppen.
- Deze oppervlakken bevinden zich buiten de waskast en kunnen niet bereikt worden door het water uit de sproeiarmen.
- Eventuele resten moeten afgeveegd worden voor u de deur sluit.

#### Het bedieningspaneel

- Wanneer reiniging nodig is, mag het bedieningspaneel enkel met een zachte vochtige doek afgeveegd worden.

**WAARSCHUWING**

- Om te vermijden dat er water in het deurslot en de elektrische onderdelen binnendringt, gebruik geen sprayreiniger.
- Gebruik nooit schuurmiddelen of -sponsjes op de buitenkant aangezien er krassen op kunnen komen. Keukenpapier laat soms ook krassen of vlekken achter op het oppervlak.

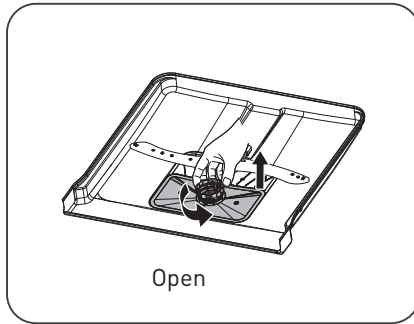
**De binnenkant schoonmaken**Filtersysteem

- Het filtersysteem onderaan de waskast houdt vuil van de wascyclus tegen, inclusief vreemde voorwerpen zoals tandenstokers of scherven. Wanneer het vuil zich opstapelt, kunnen de filters verstopt raken. Controleer regelmatig de staat van de filters, verwijder vreemde voorwerpen en maak indien nodig de onderdelen van het filtersysteem schoon met water.
- Volg de onderstaande stappen om de filter te reinigen.

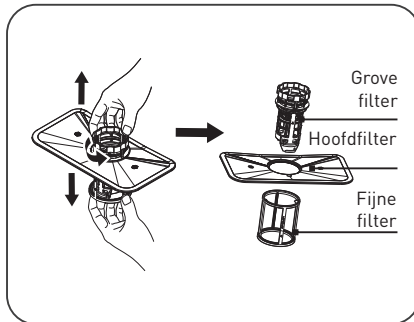
**OPMERKING**

De foto's zijn louter ter informatie. De filtersystemen en sproeiarmen verschillen van model tot model.

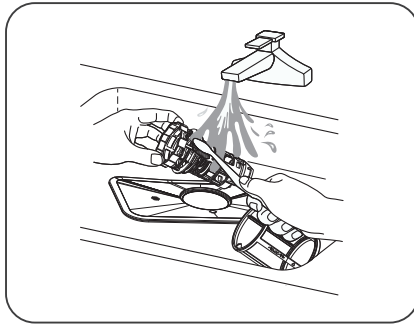
1. Houd de grove filter vast en draai hem tegen de klok in om de filter los te maken. Til de filter op en haal hem uit de vaatwasser.



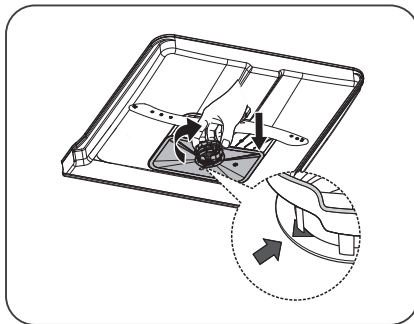
2. De fijne filter kan uit de bodem van de filtergroep worden getrokken. De grove filter kan van de hoofdfilter worden losgemaakt door zachtjes op de lipjes te duwen bovenaan de filter en eraan te trekken.



3. Grotere voedingsresten kunnen onder stromend water verwijderd worden. Gebruik een zachte borstel om grondiger schoon te maken.



4. Zet de filters in de omgekeerde volgorde terug in elkaar, plaats ze terug en draai in wijzerzin in de richting van de pijl.



### WAARSCHUWING

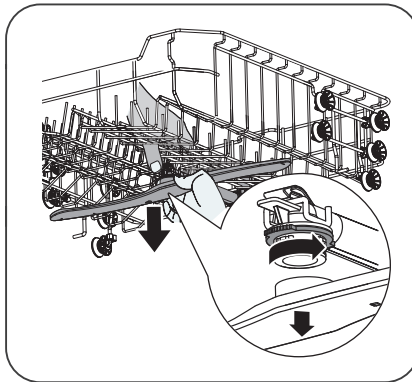
- Draai de filters niet te vast aan. Plaats de filters in de juiste volgorde terug en schroef vast. Anders kan er grof vuil in het systeem terechtkomen en verstopping veroorzaken.
- Gebruik de vaatwasser nooit zonder filters. Onjuist terugplaatsen van de filter kan de prestaties van het toestel verminderen en de vaat en het keukengerei beschadigen.

## Sproeiarm

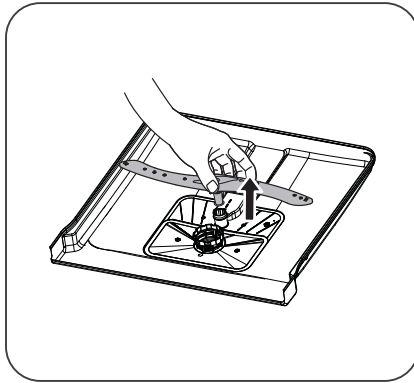
- De sproeiarm moet regelmatig schoongemaakt worden omdat de sproeiers en lagers verstopt kunnen raken door de chemicaliën in hard water.

- Volg de instructies hieronder om de sproeiarm te reinigen:

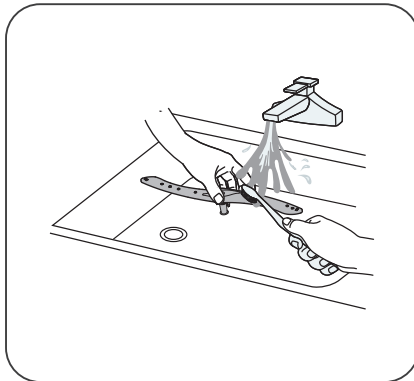
1. Om de bovenste sproeiarm te verwijderen, houd de centrale schroef vast en draai de sproeiarm in tegen de klok in om deze te verwijderen.



2. Om de onderste sproeiarm te verwijderen, trekt u deze naar boven.



3. Was de sproeiarm met lauw zeepsop en gebruik een zachte borstel om de jets te reinigen.



## Onderhoud van de vaatwasser

### Vorzorgsmaatregelen voor vorst

- U dient voorzorgsmaatregelen voor vorst te nemen voor uw vaatwasser in de winter. Ga als volgt te werk wanneer de wascyclus beëindigd is:

1. Sluit de elektrische stroom naar de vaatwasser af bij de voedingsbron.
2. Draai de watertoevoer dicht en maak de watertoevoerslang los van de waterklep.
3. Voer het water van de watertoevoerslang en waterklep af. (Gebruik een pannetje om het water op te vangen)
4. Maak de watertoevoerslang opnieuw vast aan de waterklep.
5. Verwijder de filter aan de onderkant van de kuip en absorbeer het water in de opvangbak met een spons.

#### Na elke wasbeurt

- Sluit na elke wasbeurt de watertoevoer af en laat de deur een tijdje openstaan om vocht en luchtjes te verwijderen.

#### De stekker verwijderen

- Trek de stekker altijd uit het stopcontact alvorens u het toestel reinigt of onderhoudt.

#### Geen oplos- of schuurmiddelen

- Gebruik geen oplos- of schuurmiddelen om de buitenkant en de rubberen delen van de vaatwasser te reinigen. Gebruik enkel een doekje met zeep en warm water.
- Gebruik een vochtig doekje en een beetje azijn of een



schoonmaakproduct voor vaatwassers om vlekken aan de binnenkant te verwijderen.

#### Wanneer de vaatwasser lange tijd niet gebruikt wordt

- Wij raden u aan een wascyclus met een lege machine uit te voeren en vervolgens de stekker uit het stopcontact te halen, de watertoevoer dicht te draaien en de deur van de vaatwasser een beetje open te laten. Dit verlengt de levensduur van de deurdichtingen en vermijdt geurtjes in de machine.

#### De vaatwasser verplaatsen

- Probeer de vaatwasser verticaal te houden wanneer hij verplaatst moet worden. Wanneer het echt noodzakelijk is, kan hij op de achterkant geplaatst worden.

#### Afdichtingen

- Er kunnen geuren ontstaan in de vaatwasser omdat er voedingsresten vastzitten in de dichtingen. Dit kan voorkomen worden door ze regelmatig schoon te maken met een vochtige spons.

## Probleemoplossing

Voor u de hersteldienst belt

Wanneer u de tabellen op de volgende pagina's bekijkt, kan u zich allicht de moeite besparen om de hersteldienst te bellen

Probleem	Mogelijke oorzaken	Wat u moet doen
De vaatwasser start niet	Er is een zekering gesprongen of de stroomonderbreker is ingeschakeld.	<ul style="list-style-type: none"> <li>• Vervang de zekering of reset de stroomonderbreker.</li> <li>• Zorg ervoor dat de vaatwasser niet op hetzelfde circuit aangesloten is als andere toestellen.</li> </ul>
	De stroom is niet ingeschakeld.	<ul style="list-style-type: none"> <li>• Controleer of de vaatwasser aan staat en of de deur goed gesloten is.</li> <li>• Zorg ervoor dat het netsnoer goed aangesloten is op het stopcontact.</li> </ul>
	De waterdruk is te laag	<ul style="list-style-type: none"> <li>• Controleer of de watertoevoer juist aangesloten is en of de kraan opgedraaid is.</li> </ul>
Het water wordt niet uit de vaatwasser gepompt	De deur van de vaatwasser is niet correct gesloten.	<ul style="list-style-type: none"> <li>• Zorg ervoor dat de deur goed gesloten en vergrendeld is.</li> </ul>
	De afvoerslang is gedraaid of zit vast.	<ul style="list-style-type: none"> <li>• Kijk de afvoerslang na.</li> </ul>
	De filter is verstopt.	<ul style="list-style-type: none"> <li>• Controleer het filtersysteem.</li> </ul>
	Gootsteen verstopt.	<ul style="list-style-type: none"> <li>• Kijk na of de gootsteen goed doorloopt. Indien een verstopte gootsteen het probleem is, heeft u een loodgieter nodig en geen vakman voor vaatwassers.</li> </ul>

Probleem	Mogelijke oorzaken	Wat u moet doen
Schuim in de kuip	Verkeert detergens.	<ul style="list-style-type: none"> <li>• Gebruik enkel speciale producten voor vaatwassers om zeepsop te vermijden. Open de vaatwasser en laat het zeepsop wegtrekken indien dit toch gebeurt. Voeg 1 liter koud water toe onderaan de vaatwasser.</li> <li>• Sluit de deur van de vaatwasser en kies om het even welke cyclus. Eerst zal de vaatwasser het water wegpompen. Open de deur nadat het wegpompen beëindigd is en controleer of het zeepsop verdwenen is.</li> </ul>
Vlekken aan de binnenkant van de kuip	Spoelmiddel gemorst. Het is mogelijk dat u vaatwasmiddel met kleurstoffen gebruikt heeft.	<ul style="list-style-type: none"> <li>• Herhaal indien nodig.</li> <li>• Veeg spoelmiddel altijd meteen af wanneer u morst.</li> <li>• Zorg ervoor dat het vaatwasmiddel geen kleurstof bevat.</li> </ul>
Witte film op het binnenoppervlak	Mineralen in hard water.	<ul style="list-style-type: none"> <li>• Gebruik een zacht, vochtig doekje met vaatwasmiddel en draag rubberen handschoenen om de binnenkant schoon te maken. Gebruik enkel vaatwasmiddel om schuim of zeepsop te vermijden.</li> </ul>

Probleem	Mogelijke oorzaken	Wat u moet doen
Er zijn roestvlekken op het bestek	Het keukengerei in kwestie is niet roestbestendig.	<ul style="list-style-type: none"> <li>• Was geen voorwerpen in de vaatwasser die niet roestbestendig zijn.</li> </ul>
	U heeft geen programma laten lopen nadat u zout toegevoegd had. Er is zout in de wascyclus terechtgekomen.	<ul style="list-style-type: none"> <li>• Laat altijd het korte wasprogramma lopen zonder servies in de vaatwasser te zetten en zonder de Turbofunctie te gebruiken (indien aanwezig) nadat u zout toegevoegd heeft.</li> </ul>
	Het deksel van de waterontharder zit niet goed vast.	<ul style="list-style-type: none"> <li>• Controleer of het deksel van de waterontharder goed vast zit.</li> </ul>
De vaatwasser maakt lawaai	Een sproeiarm botst tegen een voorwerp in de mand	<ul style="list-style-type: none"> <li>• Onderbreek het programma en herschik de voorwerpen die botsen met de sproeiarm.</li> </ul>
De vaatwasser maakt een ratelend geluid	De vaat in de vaatwasser beweegt.	<ul style="list-style-type: none"> <li>• Onderbreek het programma en herschik de vaat.</li> </ul>
Kloppend geluid in de waterleidingen	Dit kan verband houden met de installatie ter plaatse of met de diameter van de slangen.	<ul style="list-style-type: none"> <li>• Dit heeft geen invloed op de werking van de vaatwasser. Neem contact op met een gekwalificeerde loodgieter bij twijfel.</li> </ul>

Probleem	Mogelijke oorzaken	Wat u moet doen
De vaat is niet schoon	De vaat werd niet juist in de vaatwasser geplaatst.	<ul style="list-style-type: none"> <li>• Zie "De vaat voorbereiden en inladen".</li> </ul>
	Het programma was niet krachtig genoeg.	<ul style="list-style-type: none"> <li>• Selecteer een intenser programma.</li> </ul>
	Er werd niet genoeg vaatwasmiddel gebruikt.	<ul style="list-style-type: none"> <li>• Gebruik meer vaatwasmiddel of een ander vaatwasmiddel.</li> </ul>
	Voorwerpen blokkeren het draaien van de sproeiarmen.	<ul style="list-style-type: none"> <li>• Herschik de voorwerpen zodat de sproeiarmen vlot kunnen ronddraaien.</li> </ul>
	De filters aan de onderkant van de vaatwasser zijn niet proper of niet correct geplaatst. Hierdoor kunnen de sproeiers geblokkeerd worden.	<ul style="list-style-type: none"> <li>• Maak de filter schoon of plaats hem correct. Maak de sproeiers van de sproeiarmen schoon.</li> </ul>
Troebele glazen.	Combinatie van zacht water en te veel vaatwasmiddel.	<ul style="list-style-type: none"> <li>• Gebruik minder vaatwasmiddel wanneer uw water zacht is en selecteer een kortere cyclus om de glazen te wassen en schoon te krijgen.</li> </ul>
Er zitten witte vlekken op de vaat en de glazen.	In streken waar er veel kalk in het water zit, kunnen witte vlekken op de vaat ontstaan.	<ul style="list-style-type: none"> <li>• Controleer de instellingen van de waterontharder of de vulstatus van het zoutcompartiment.</li> </ul>
Zwarte of grijze vlekken op de vaat	Aluminium elementen hebben tegen het vaatwerk geschuurd	<ul style="list-style-type: none"> <li>• Gebruik een mild schuurmiddel om de sporen te verwijderen.</li> </ul>
Er is detergent achtergebleven in het detergentcompartiment	De vaat blokkeert het detergentcompartiment	<ul style="list-style-type: none"> <li>• Laad de vaat opnieuw in.</li> </ul>

Probleem	Mogelijke oorzaken	Wat u moet doen
De vaat is niet droog	Niet goed ingeladen	<ul style="list-style-type: none"> <li>• Draag handschoenen indien er restanten van het vaatwasmiddel op de vaat aanwezig zijn om huidirritatie te vermijden.</li> </ul>
	De vaat werd te vroeg verwijderd	<ul style="list-style-type: none"> <li>• Maak de vaatwasser niet onmiddellijk na het wassen leeg. Open de deur een beetje zodat de stoom kan ontsnappen. Haal de borden uit het toestel tot de temperatuur binnenin veilig is om aan te raken. Laad eerst de onderste mand uit om te vermijden dat er water vanuit de bovenste mand druppelt.</li> </ul>
	U heeft niet het juiste programma geselecteerd.	<ul style="list-style-type: none"> <li>• Met een kort programma is de wastemperatuur lager waardoor de wasresultaten afnemen. Kies een programma met een lange wasduur.</li> </ul>
	Gebruik van bestek met een laag van slechte kwaliteit.	<ul style="list-style-type: none"> <li>• Het is moeilijker om het water af te voeren van deze voorwerpen. Bestek of vaat van dit type kan niet in de vaatwasser gewassen worden.</li> </ul>

## WAARSCHUWING

Zelf herstellingen uitvoeren of niet-professionele herstellingen houden ernstige risico's in voor de veiligheid van de gebruiker van het toestel en hebben een impact op de garantie.

**Beschikbaarheid van reserveonderdelen**

Zeven jaar nadat het laatste toestel van het model op de markt gebracht is:

Motor, circulatiepomp en afvoerpomp, verwarmingstoestellen en verwarmingselementen, met inbegrip van warmtepompen (afzonderlijk of in combinatie), leidingen en aanverwante uitrusting met inbegrip van alle slangen, kleppen, filters en aquastops, structurele en binnenonderdelen met betrekking tot deurmontage (afzonderlijk of in combinatie), printplaten, elektronische displays, drukschakelaars, thermostaten en sensoren, software en firmware, inclusief reset-software.

Tien jaar nadat het laatste toestel van het model op de markt gebracht is:

Deurscharnieren en -dichtingen, andere dichtingen, sproeiarmen, afvoerfilters, rekken voor binnenin en plastic randapparatuur zoals manden en plaatjes.

## Foutcodes

De vaatwasser toont een foutcode bij defecten. De volgende tabel geeft mogelijke foutcodes en hun oorzaken aan.

Codes	Betekenis	Mogelijke oorzaken
<b>E1</b>	Langere toevoertijd.	De kraan is niet open, de watertoevoer is beperkt of de waterdruk te laag.
<b>E3</b>	Bereikt de vereiste temperatuur niet.	Defect van het verwarmingselement.
<b>E4</b>	Overlopen.	Er is een lek in een onderdeel van de vaatwasser.
<b>E8</b>	Probleem met het richten van de distributieklep.	Open circuit of defecte distributieklep.
<b>E9</b>	Druk langer dan 30 seconden op een knop.	Er zit water of iets anders op de knop.
<b>Ec</b>	Defect wascontrolesysteem.	PCB of motor defect.
<b>Ed</b>	Storing in de communicatie tussen de hoofdprintplaat en de displayprintplaat.	Open circuit of probleem met de bedrading voor de communicatie.

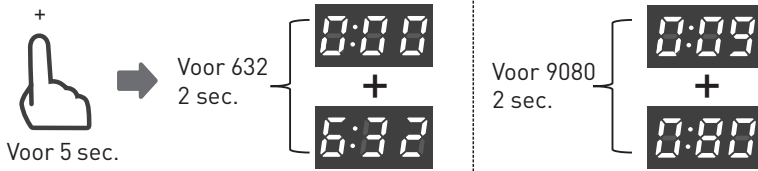
### WAARSCHUWING

- Draai de hoofdkraan van de watertoevoer toe bij overlopen voor u de Dienst belt.
- Bij water in de kuip omwille van overlopen of een kleine lek moet het water verwijderd worden voor u de machine opnieuw aanzet.
- Vraag om professionele hulp bij foutcodes die u niet kan oplossen.



## Teller afwasbeurten

Wanneer de stekker in het stopcontact zit, maar de vaatwasser niet is aangezet, druk op de Uitstelknop “+” en houd deze 5 seconden ingedrukt. Op het display van de vaatwasser verschijnt het gebruik van de teller.



Voorbeeld:

632: Toon twee seconden lang “000” en toon vervolgens twee seconden lang “632”, waarna het zal uitgaan.

9080: Toon twee seconden lang “009” en toon vervolgens twee seconden lang “080”, waarna het zal uitgaan.



# ¡Muchas gracias!

Gracias por elegir este producto VALBERG. Seleccionados, probados y recomendados por ELECTRO DEPOT, los productos de la marca VALBERG le aseguran una utilización sencilla, un rendimiento fiable y una calidad incuestionable. Quedará muy satisfecho con el uso de este aparato.

Bienvenido a ELECTRO DEPOT.

Visite nuestra página web: [www.electrodepot.es](http://www.electrodepot.es)

**A**

**Descripción del  
aparato**

Descripción general del producto

---

**B**

**Utilización del  
aparato**

Uso del lavavajillas  
Instrucciones de instalación  
Cargar las cestas  
Uso de la cesta para los cubiertos  
Instalación de la tira de reducción de ruidos  
Guía de uso rápido  
Uso del lavavajillas  
Programación del lavavajillas

---

**C**

**Información práctica**

Mantenimiento y limpieza  
Resolución de problemas  
Códigos de error  
Contador de utilización

## Descripción general del producto

### IMPORTANTE

Para obtener el mejor rendimiento de su lavavajillas, lea todas las instrucciones de funcionamiento antes de usarlo por primera vez.

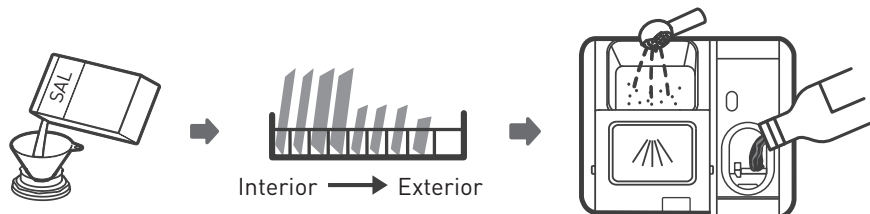
- 1 Tubo interior
- 2 Compartimento de sal
- 3 Dispensador
- 4 Brazo aspersor superior
- 5 Brazo aspersor inferior
- 6 Montaje del filtro
- 7 Cesta de cubiertos
- 8 Cesta superior
  - A Brazo aspersor superior
  - B Rejilla para tazas
- 9 Cesta inferior

### NOTA

Las imágenes son solo como referencia, los diferentes modelos pueden no corresponder a las imágenes.

## Cómo utilizar el aparato

- Antes de utilizar el lavavajillas:



1. Configure el descalcificador de agua
2. Añada sal al compartimento descalcificador
3. Cargue las cestas
4. Rellene el dispensador de detergente

### NOTA

Consulte la sección «Descalcificador de agua» si necesita configurar el descalcificador de agua.

### Añadir sal al compartimento descalcificador

- Si su modelo no tiene ningún descalcificador de agua, puede omitir esta sección.
- Utilice siempre sal para lavavajillas.
- El recipiente de sal se encuentra debajo de la cesta inferior y debe rellenarse como se explica a continuación:

### ADVERTENCIA

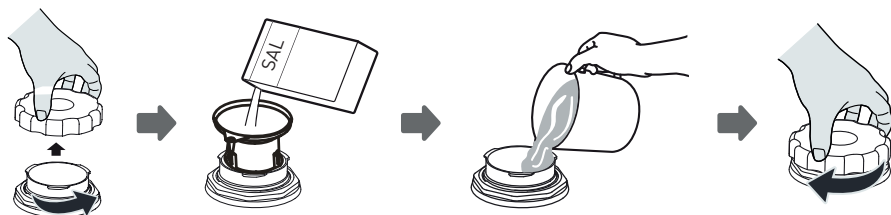
**¡Utilice solo sal creada específicamente para lavavajillas!**  
Cualquier otro tipo de sal que no esté específicamente creada para su uso en lavavajillas, especialmente la sal de mesa, dañará el descalcificador de agua. En caso de daños causados por el uso de sal inadecuada, el fabricante no ofrece ninguna garantía ni se hace responsable de los daños causados.

**ADVERTENCIA**

**Rellene el compartimento de sal antes de ejecutar un ciclo.**


Esto evitará que los granos de sal o el agua salada, que puedan haberse derramado, permanezcan en la parte inferior del aparato durante un cierto de tiempo y puedan provocar corrosión

- Siga los siguientes pasos para añadir sal para lavavajillas:

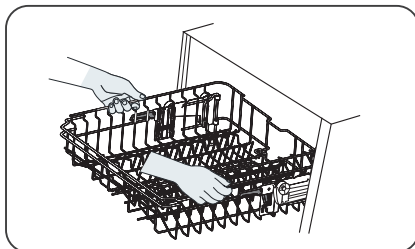


1. Retire la cesta inferior y desenrosque la tapa del depósito.
2. Coloque el extremo del embudo (si se incluye) en el orificio y vierta aproximadamente 1,5 kg de sal para lavavajillas.
3. Llene el depósito de sal hasta su límite máximo con agua. Es normal que salga una pequeña cantidad de agua del depósito de sal.
4. Después de llenar el depósito de sal, vuelva a enroscar bien la tapa.
5. La luz de advertencia de sal se apagará después de que el depósito de sal se haya rellenado de sal.
6. Inmediatamente después de llenar la sal en el depósito de sal, se debe iniciar un programa de lavado (le sugerimos utilizar un programa corto). De lo contrario, el agua salada podría dañar el sistema de filtrado, la bomba u otras partes importantes del aparato. Esto no está cubierto por la garantía.

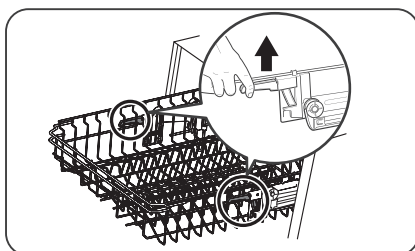
**NOTA**

- El depósito de sal solo debe rellenarse cuando se enciende el indicador de sal  en el panel de control. Dependiendo de lo bien que se disuelva la sal, es posible que la luz de advertencia de sal siga encendida aunque el depósito de sal esté lleno. Si no hay ningún indicador de advertencia de sal en el panel de control (para algunos modelos), puede estimar cuándo llenar el descalcificador con sal en función de los ciclos que ha ejecutado el lavavajillas.
- Si se ha derramado sal, ejecute un programa de enjuague o un programa rápido para eliminarla.



**Consejos para cargar las cestas**Ajustar la cesta superior

1. Para levantar la cesta superior, solo tiene que subirla en el centro de cada lado hasta que quede sujeta en la posición superior. No es necesario levantar el tirador de ajuste.



2. Para bajar la cesta superior, levante los tiradores de ajuste de cada lado para soltar la cesta y poder bajarla a la posición inferior.

### Plegar la rejilla para tazas

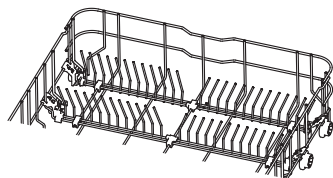
Para dejar espacio para los artículos de más altura en la cesta superior, suba la rejilla para tazas. Luego podrá apoyar los vasos altos contra la cesta.



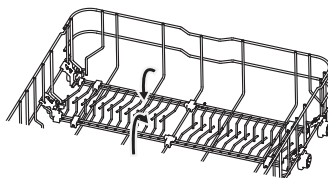
### Plegar la rejilla para tazas

Las varillas de la cesta inferior se utilizan para sujetar platos y una bandeja. Se pueden bajar para dejar más espacio para los artículos de mayor tamaño.

elevantar



plegar hacia atrás



## Instrucciones de instalación

### ADVERTENCIA

#### Peligro de descarga eléctrica

Desconecte la energía eléctrica antes de instalar el lavavajillas.

Si no lo hace, podría provocar la muerte o una descarga eléctrica.

### ADVERTENCIA

La instalación de las tuberías y de los equipos eléctricos debe ser realizada por profesionales.

## Conexión de energía

### ADVERTENCIA

Para garantizar la seguridad personal:

- No utilice un cable alargador ni un enchufe adaptador con este aparato.
- No corte ni retire bajo ninguna circunstancia la conexión a tierra del cable de alimentación.

## Requisitos eléctricos

Consulte la etiqueta de características para conocer el voltaje nominal y conecte el lavavajillas a la fuente de alimentación adecuada. Use el fusible requerido 10A / 13A / 16A, el fusible de acción retardada o el disyuntor recomendado y asegúrese de que dispone de un circuito separado que sirva solo para este aparato.

## Conexión eléctrica

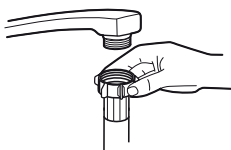
Asegúrese de que el voltaje y la frecuencia de la energía corresponden con los de la placa de características. Introduzca el enchufe únicamente en una toma de corriente que esté correctamente conectada a tierra. Si la toma de corriente a la que debe conectarse el aparato no es adecuada para el enchufe, reemplace la toma, en lugar de utilizar adaptadores o similares, ya que podrían provocar sobrecalentamiento y quemaduras.

**ADVERTENCIA**

Asegúrese de que exista una conexión a tierra adecuada antes de su uso

**Suministro y evacuación de agua**Conexión de agua fría

- Conecte el tubo de suministro de agua fría a un conector roscado de 3/4" (19,05 mm) y asegúrese de que esté bien ajustado en su lugar.
- Si las tuberías de agua son nuevas o no se han utilizado durante un período de tiempo prolongado, deje correr el agua para asegurarse de que el agua está limpia.
- Esta precaución es necesaria para evitar el riesgo de que la entrada de agua se bloquee y dañe el aparato.



tubo de suministro normal



tubo de suministro de seguridad

El tubo de suministro de seguridad

- El tubo de suministro de seguridad consta de paredes dobles. El sistema garantiza su intervención bloqueando el flujo de agua en caso de rotura del tubo de suministro y cuando el espacio de aire entre el tubo de suministro y el tubo exterior corrugada está lleno de agua.

**ADVERTENCIA**

Un tubo conectado al grifo puede explotar si se instala en la misma línea de agua que el lavavajillas. Si su fregadero tiene uno, se recomienda desconectar el tubo y tapar el orificio.

Cómo conectar el tubo de seguridad

1. Extraiga el tubo de suministro de seguridad del compartimiento de almacenamiento ubicado en la parte trasera del lavavajillas.
2. Apriete los tornillos del tubo de suministro de seguridad en el grifo roscado de 3/4" (19,05 mm).
3. Abra el grifo de agua completamente antes de encender el lavavajillas.

Cómo desconectar el tubo de suministro de seguridad

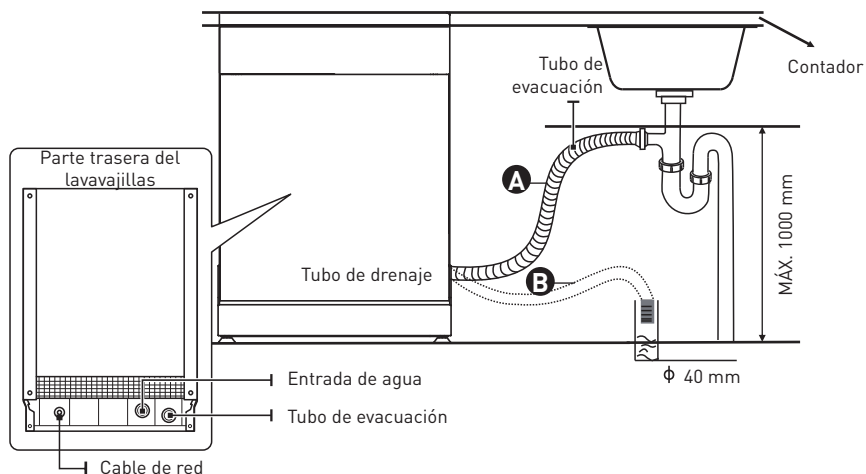
1. Cierre el grifo de agua.
2. Desenrosque el tubo de suministro de seguridad del grifo.

**Conexión de los tubos de evacuación**

Introduzca el tubo de evacuación en un tubo de evacuación con un diámetro mínimo de 4 cm, o déjelo correr hacia el fregadero, asegurándose de no doblarlo ni aplastarlo. La altura del tubo de evacuación debe ser inferior a 1000 mm. El extremo libre del tubo no debe sumergirse en agua para evitar el reflujó.

**ADVERTENCIA**

Fije el tubo de evacuación de forma segura en la posición **A** o en la posición **B**



### Cómo evacuar el exceso de agua de los tubos

Si la conexión a la tubería de evacuación está a más de 1000 mm, puede quedar un exceso de agua en el tubo de evacuación. Será necesario drenar el exceso de agua del tubo en un recipiente adecuado situado fuera y más bajo que el fregadero.

### Salida de agua

- Conecte el tubo de suministro de agua. El tubo de evacuación debe estar correctamente colocado para evitar fugas de agua.
- Asegúrese de que el tubo de evacuación de agua no esté doblado ni aplastado.

### Tubo de extensión

- Si necesita una extensión del tubo de evacuación, asegúrese de utilizar un tubo de evacuación similar.
- No debe medir más de 4 metros; de lo contrario, se podría reducir el efecto de lavado del lavavajillas.

### Conexión al sifón

La conexión del desagüe debe estar a una altura inferior a 1000 mm (máximo) desde la parte inferior del lavavajillas.

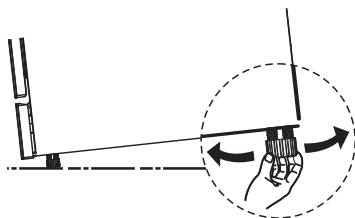
### **Colocación del aparato**

- Coloque el aparato en la ubicación deseada. La parte posterior debe apoyarse contra la pared que hay detrás y los lados a lo largo de los muebles o paredes adyacentes.

- El lavavajillas está equipado con tubos de suministro de agua y evacuación que se pueden colocar a la derecha o a la izquierda para facilitar la instalación adecuada.

### Nivelar el aparato

Una vez que el aparato se ha colocado para nivelarlo, la altura del lavavajillas se puede modificar ajustando el nivel de atornillado de las patas. En cualquier caso, el aparato no se debe inclinar más de 2°.

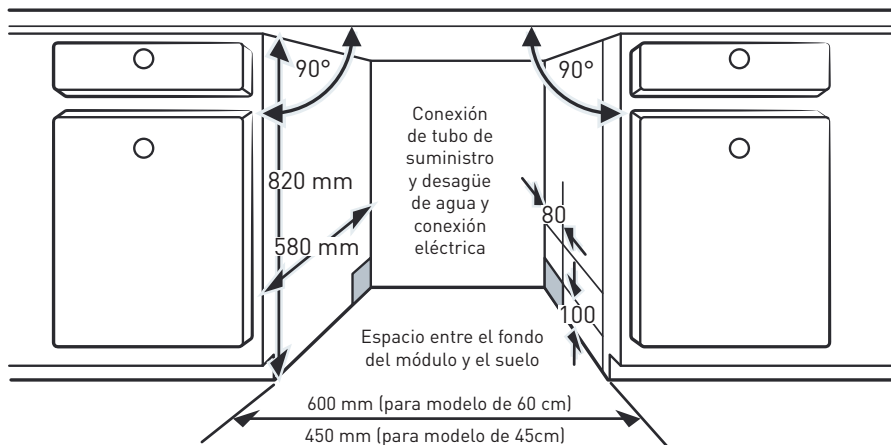


### **Instalación empotrada (para el modelo integrado)**

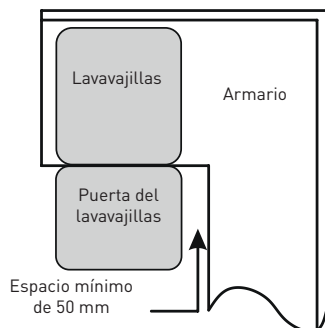
#### Paso 1. Selección de la mejor ubicación para el lavavajillas

- La posición de instalación del lavavajillas debería estar cerca de la entrada de agua, del tubo desagüe y de la toma de corriente existentes.
- Ilustraciones de las dimensiones del módulo y de la posición de instalación del lavavajillas.

1. Menos de 5 mm entre la parte superior del lavavajillas y el módulo y la puerta exterior alineada con el módulo de la alacena.



2. Si el lavavajillas debe instarse en un módulo de esquina, debe quedar espacio suficiente cuando la puerta se abra.

**NOTA**

Dependiendo de dónde se encuentre situada la toma eléctrica, es posible que necesite recortar un agujero en el lado contrario del módulo.

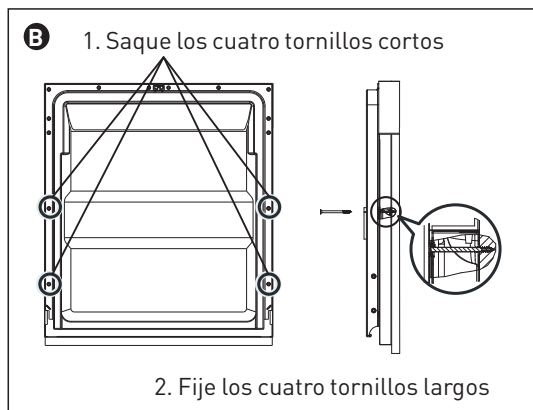
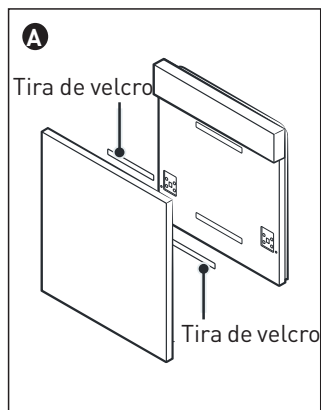
Paso 2. Dimensiones e instalación del panel estético**NOTA**

Siga las instrucciones de instalación específicas para fijar el panel de la puerta estético.

**Modelo semi-integrado**

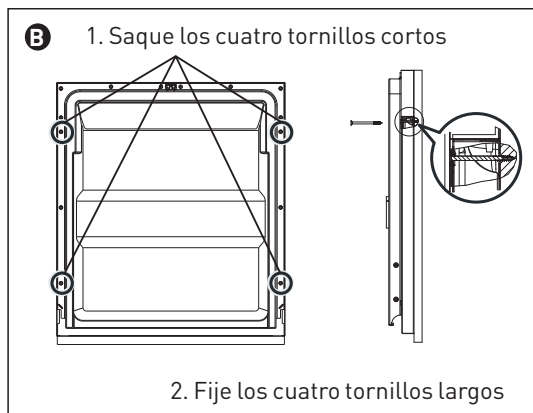
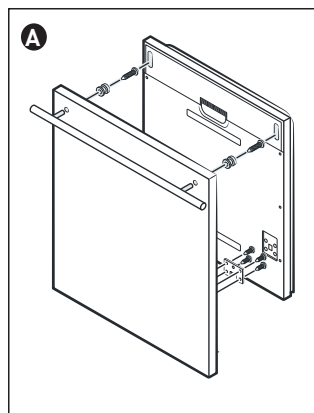
- Separe la tira de velcro **A** y la tira de velcro **B** y pegue la tira de velcro **A** en el lado interior del panel estético. Pegue la tira de velcro de fieltro **B** en la puerta exterior del lavavajillas (véase figura **A**). Después de colocar el panel, fije el panel a la puerta exterior con tornillos y pernos (Véase figura **B**).





### Modelo totalmente integrado

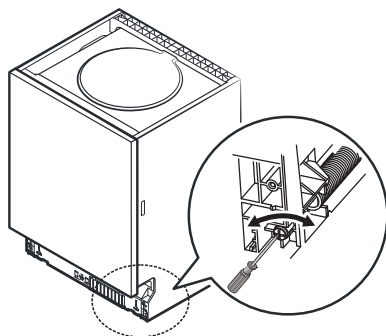
- Instale el gancho en el panel estético y coloque el gancho en la ranura de la puerta exterior de lavavajillas (véase figura **A**). Después de colocar el panel, fije el panel a la puerta exterior con tornillos y pernos (Véase figura **B**).



### Paso 3. Ajuste de la tensión del resorte de la puerta

1. Los resortes de la puerta están ajustados de fábrica con la tensión adecuada para la puerta exterior. Si se instala el panel estético, deberá ajustar la tensión del resorte de la puerta. Gire el tornillo de ajuste para impulsar el ajustador para tensar o aflojar el cable de acero.

2. La tensión del resorte de puerta es correcta cuando la puerta permanece horizontal en posición totalmente abierta, pero se llega a cerrar con solo levantar un dedo.



#### Paso 4. Pasos para la instalación del lavavajillas

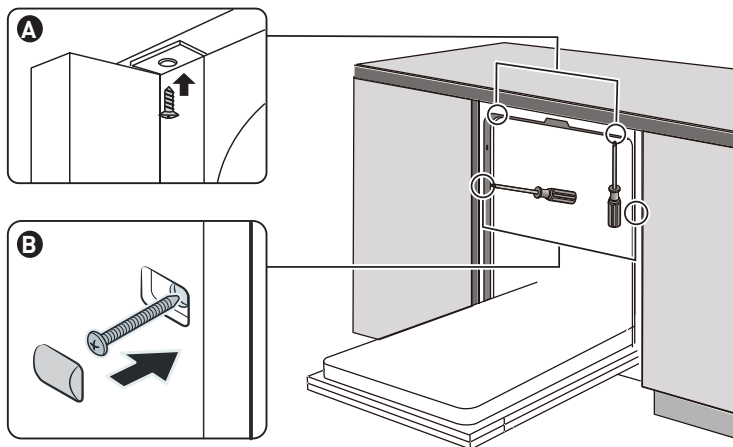
### NOTA

Consulte los pasos para la instalación específicos en los dibujos de instalación.

1. Pegue la tira de condensación debajo de la encimera del módulo. Asegúrese de que la tira de condensación está nivelada con el filo de la encimera. (Paso 2)
2. Conecte la manguera de salida al suministro de agua fría.
3. Conecte el tubo de desagüe.
4. Conecte el cable de alimentación.
5. Coloque el lavavajillas en el módulo.
6. Nivele el lavavajillas. La pata trasera se puede ajustar desde la parte delantera del lavavajillas girando el tornillo Philips en el centro de la base del lavavajillas utilizando un destornillador de estrella. Para ajustar las patas delanteras, utilice un destornillador plano y gire las patas delanteras hasta que el lavavajillas esté nivelado. (Paso 5 a Paso 6)
7. Instale la puerta del mueble en la puerta exterior del lavavajillas. (Paso 7 a Paso 10)
8. Ajuste la tensión de los resortes de la puerta utilizando un destornillador de estrella girándolo en el sentido de las agujas del reloj para ajustar los resortes de la puerta derecho e izquierdo. Si no realiza este paso, podría provocar daños a su lavavajillas. (Paso 11)
9. El lavavajillas debe estar seguro en su sitio. Hay dos maneras para ello:

**A** Encimera normal: Ponga el gancho de instalación en la ranura del plano lateral y asegúrelo a la superficie de trabajo con los tornillos.

**B** Encimera de mármol o granito: Fije el lateral con tornillos.



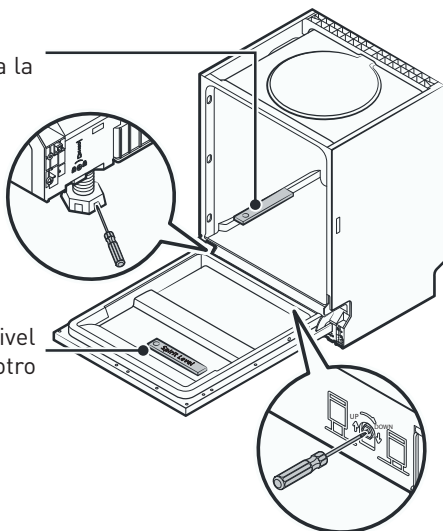
### Paso 5. Nivelación del lavavajillas

El lavavajillas debe estar nivelado para el correcto funcionamiento del estante de platos y el rendimiento de lavado.

1. Coloque un nivel en la puerta y en el riel del estante dentro del aparato como se muestra para comprobar que el lavavajillas está nivelado.
2. Nivele el lavavajillas ajustando las tres patas de nivelación de forma individual.
3. Al nivelar el lavavajillas, preste atención a no volcar el lavavajillas.

Comprobar nivel  
de la parte frontal a la  
parte posterior

Comprobar nivel  
de un lado a otro



## NOTA

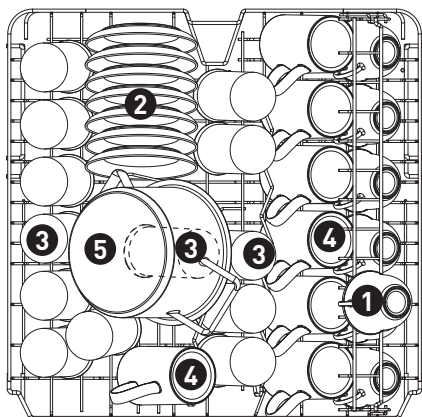
La altura de ajuste máxima de las patas es de 50 mm.

## Cargar las cestas

### Conforme a la EN60436:

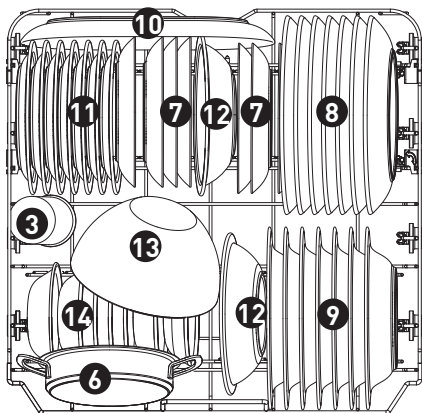
Cargar el lavavajillas a su máxima capacidad contribuirá al ahorro de agua y energía.

#### Cesta superior:



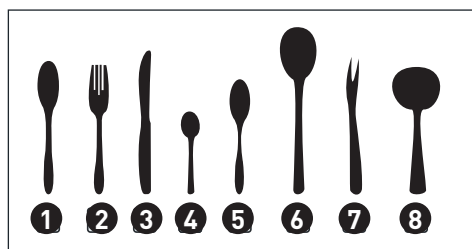
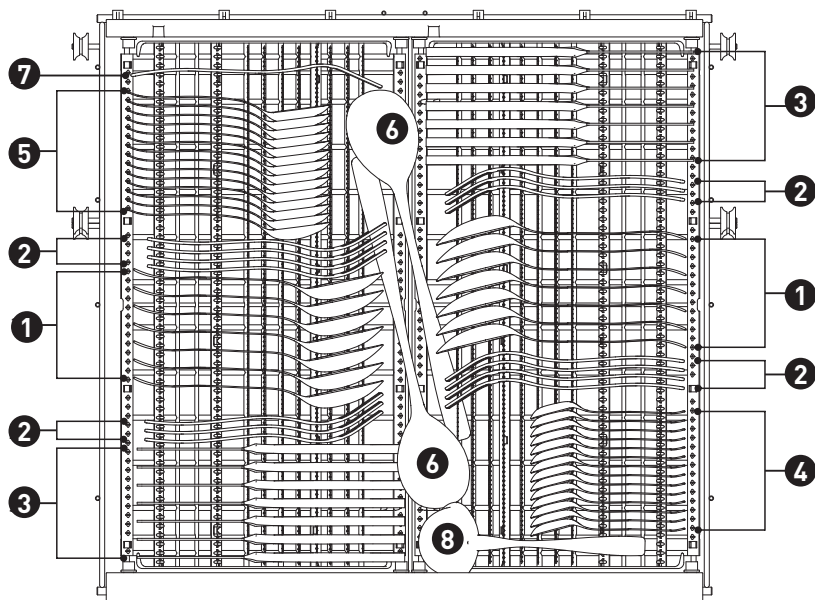
Número	Objeto
1	Tazas
2	Salseras
3	Vasos
4	Tazones
5	Tarros pequeños

#### Cesta inferior:



Número	Objeto
6	Tarros de horno
7	Platos de postre
8	Platos llanos
9	Platos hondos
10	Fuentes ovaladas
11	Platos de postre de melamina
12	Cuencos de melamina
13	Cuenco de cristal
14	Cuencos de postre

## Cesta para los cubiertos:



Información para las pruebas de comparabilidad según la EN60436

Capacidad: 14 cubiertos

Posición de la cesta superior: posición inferior

Programa: ECO

Ajuste del abrillantador: MÁX.

Ajuste del descalcificador: H3

## Número

## Objeto

1

Cucharas soperas

2

Tenedores

3

Cuchillos

4

Cucharillas

5

Cucharas de postre

6

Cucharones de servir

7

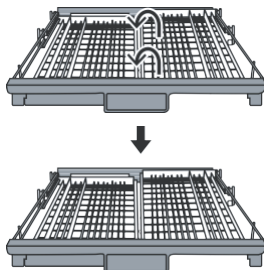
Tenedor de servir

8

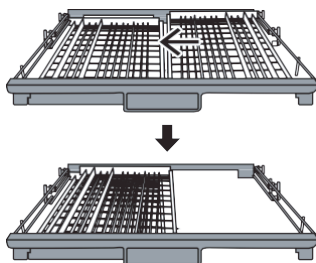
Cucharón de salsa

## Uso de la cesta para los cubiertos

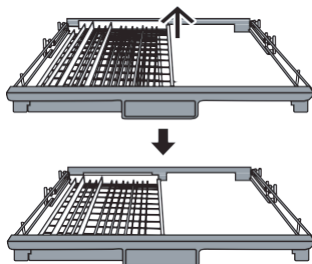
- Para crear más espacio para la cesta de los vasos, se puede retirar la cesta para los cubiertos. Pasos:
- Eleve el lado derecho de la cesta, manteniendo ambas partes de la cesta planas.



- Deslice el lado derecho de la cesta hacia la izquierda. Ambas secciones se superponen.
- Tire del lado derecho de la cesta para retirarla por completo.



- Repita esto a la inversa para insertar la parte derecha de la cesta de nuevo en posición.



### NOTA

El número de cubiertos que se especifica en la etiqueta energética se basa en platos de 25 cm y vasos de 12 cm de alto.

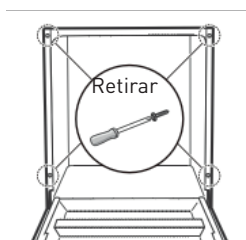
## Instalación de la tira de reducción de ruidos



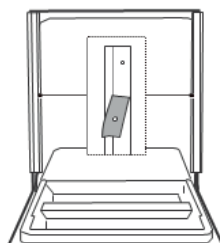
**Parte superior** (Solo para lavavajillas encastrado)

**Izquierda**

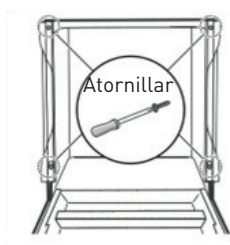
**Derecha**



Retire los cuatro tornillos de las planchas del lado derecho e izquierdo.



Retire la película protectora de las tiras de reducción de ruidos y péguelas sobre las planchas, asegurándose de que los orificios estén alineados



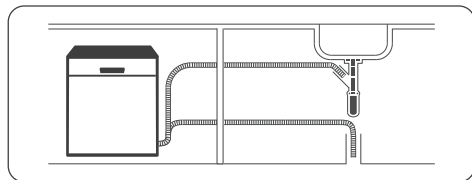
Apriete los cuatro tornillos de las planchas



## Guía de uso rápido

Lea el contenido correspondiente en el manual de instrucciones para conocer el método de funcionamiento detallado.

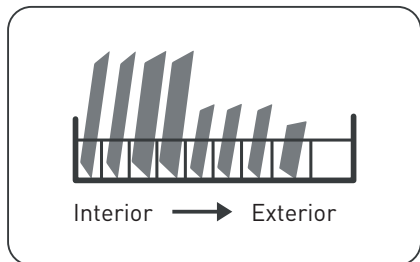
1. Instale el lavavajillas (consulte la sección «Instrucciones de instalación»).



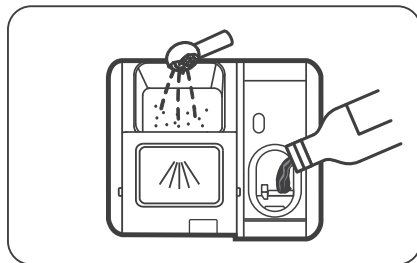
2. Retire los residuos más gruesos de los platos. No es necesario enjuagarlos previamente.



3. Cargue las cestas



4. Rellene el dispensador de detergente y abrillantador.

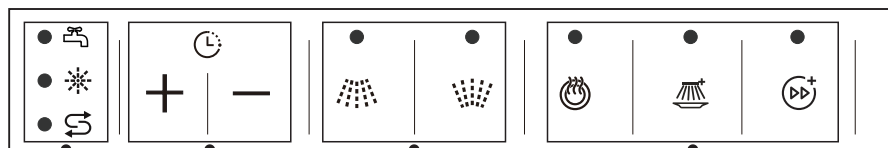
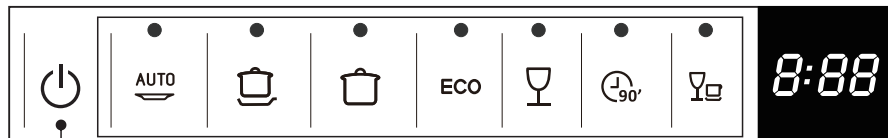
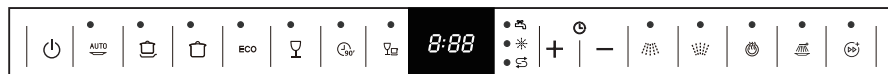


5. Seleccione un programa adecuado y ponga el marcha el aparato.
















## Cómo utilizar el aparato

### Panel de control







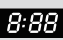


## Funcionamiento [Botón]

<b>1 Encendido</b>		Presione este botón para encender su lavavajillas, se iluminará la pantalla.
		<b>Automático</b> Para una vajilla con nivel de suciedad bajo, normal o alto, con o sin restos secos de alimentos.
		<b>Intensivo</b> Vajilla muy sucia, incluidas las ollas y las sartenes. Vajilla con comida seca.
		<b>Universal</b> Para vajillas normalmente sucias, como ollas, platos, vasos y sartenes ligeramente sucias.
<b>2 Programa</b>		<b>ECO</b> Este es un programa estándar, apto para vajillas con una suciedad normal, y es el programa más eficiente en términos de consumo combinado de energía y agua para ese tipo de vajilla.
		<b>Vidrio</b> Para vajilla y vasos poco sucios.
		<b>90 min</b> Para vajillas normalmente sucias que necesiten un lavado rápido.
		<b>Rápido</b> Un lavado más corto para vajillas ligeramente sucias que no necesiten secado.
<b>3 Inicio +/-</b>		Pulse el botón «+» para incrementar el tiempo de inicio diferido o el botón «-» para reducir el tiempo de inicio diferido; se puede definir un tiempo de inicio diferido máximo de 24 horas.
		<b>Superior</b> Si se selecciona Superior, solo se lavará la vajilla de la rejilla superior. El sistema aspersor de la cesta inferior no funcionará.
<b>4 Alt</b>		<b>Inferior</b> Si selecciona Inferior, solo se lavará la vajilla de la rejilla inferior. El sistema aspersor de la cesta superior no funcionará.

<b>5</b> Función		<b>Lavado extra</b> Para lavar vajilla muy sucia y difícil de lavar. (No se puede utilizar con los modos Auto, Rápido)
		<b>Secado extra</b> Para secar los platos de manera más completa. (No se puede utilizar con los modos Auto, Rápido)
		<b>Velocidad turbo +</b> Acorta el tiempo del programa. (No se puede utilizar con los modos Auto, Rápido)

### Pantalla

<b>6</b> Advertencia Indicador		<b>Abrillantador</b> Si el indicador «  » está encendido, indica que el lavavajillas tiene poco abrillantador y es necesario rellenarlo.
		<b>Sal</b> Si el indicador «  » está encendido, indica que el lavavajillas tiene poca sal y es necesario rellenarla.
		<b>Grifo de suministro de agua</b> Si el indicador «  » está encendido, indica que el grifo de suministro de agua está cerrado.
<b>7</b> Pantalla		Indica el tiempo de programa restante y el tiempo de inicio diferido, el código de error, etc.

### Descalcificador de agua

- El descalcificador de agua debe ajustarse manualmente, usando el cuadrante de dureza del agua.
- El descalcificador de agua está diseñado para eliminar minerales y sales del agua, lo que podría tener un efecto perjudicial o adverso en el funcionamiento del aparato.
- Cuantos más minerales haya, más dura será el agua.
- El descalcificador debe ajustarse de acuerdo con la dureza del agua en su localidad.
- La autoridad de agua local puede aconsejarle sobre la dureza del agua en su localidad.

### Ajustar el consumo de sal

- El lavavajillas está diseñado para poder ajustar la cantidad de sal consumida en función de la dureza del agua utilizada. Esto tiene como objetivo optimizar y personalizar el nivel de consumo de sal.

• Siga los siguientes pasos para ajustar el consumo de sal.

1. Abra la puerta y encienda el aparato;
2. En los 60 segundos posteriores al encendido del aparato presione el botón Rápido durante más de 5 segundos para iniciar el modo de ajuste del descalcificador de agua.
3. Presione el botón Rápido de nuevo para seleccionar la configuración adecuada según su entorno local, la configuración cambiará según la siguiente secuencia: H3->H4->H5->H6->H1->H2->H3;
4. Pulse el botón de encendido para finalizar el modo de ajuste.

DUREZA DEL AGUA				Nivel de descalcificador	La regeneración ocurre cada X secuencias de programa <sup>1)</sup>	Consumo de sal (gramos/ciclo)
Alemán dH	Francés fH	Británico Clarke	Mmol/l			
0 – 5	0 – 9	0 – 6	0 – 0,94	H1	No hay regeneración	0
6 – 11	10 – 20	7 – 14	1,0 – 2,0	H2	10	9
12 – 17	21 – 30	15 – 21	2,1 – 3,0	H3	5	12
18 – 22	31 – 40	22 – 28	3,1 – 4,0	H4	3	20
23 – 34	41 – 60	29 – 42	4,1 – 6,0	H5	2	30
35 – 55	61 – 98	43 – 69	6,1 – 9,8	H6	1	60

1°dH=1,25 °Clarke=1,78 °fH=0,178 mmol/l

Ajustes de fábrica: H3

<sup>1)</sup> Cada ciclo con una operación de regeneración consume 2,0 litros adicionales de agua, el consumo de energía aumenta en 0,02 kWh y el programa se amplía 4 minutos.

## NOTA

Consulte el párrafo «Añadir sal al compartimento descalcificador» si su lavavajillas no tiene suficiente sal.

**NOTA**

**Si su modelo no tiene descalcificador de agua, ignore esta sección.**

Descalcificador de agua

- La dureza del agua varía de un lugar a otro. Si se usa agua dura en el lavavajillas, se formarán restos en los platos y utensilios.
- El aparato está equipado con un descalcificador especial que utiliza un recipiente de sal diseñado específicamente para eliminar la cal y los minerales del agua.

**Preparación y carga de la vajilla**

- Compre utensilios identificados como aptos para lavavajillas.
- Para objetos particulares, seleccione un programa con la temperatura más baja posible.
- Para evitar daños, no saque los vasos ni los cubiertos del lavavajillas inmediatamente después de que finalice el programa.

Para lavar las siguientes vajillas

No son adecuados:

- Cubiertos con mangos de madera, cuerno o nácar
- Objetos de plástico que no son resistentes al calor
- Cubiertos antiguos con partes pegadas que no son resistentes a las altas temperaturas
- Cubiertos o platos pegados
- Artículos de peltre o cobre
- Vasos de cristal
- Objetos de acero que puedan oxidarse
- Bandejas de madera
- Objetos hechos de fibras sintéticas

Son de idoneidad limitada:

- Algunos tipos de vasos pueden volverse opacos después de muchos lavados
- Los artículos de plata y aluminio tienden a decolorarse durante el lavado
- Los patrones vidriados podrían borrarse si se lavan a máquina con frecuencia

### Recomendaciones para cargar el lavavajillas

• Retire la comida sobrante. Ablade los restos de comida quemada en las cacerolas. No es necesario enjuagar los platos con agua corriente. Para obtener el mejor rendimiento del lavavajillas, siga estas pautas de carga.

**(Las características y el aspecto de las cestas y las cestas para cubiertos pueden variar con respecto a su modelo).**

Coloque los objetos en el lavavajillas de la siguiente manera:

- Los objetos como tazas, vasos, ollas, sartenes, etc. deben colocarse hacia abajo.
- Los objetos curvos o con huecos deben cargarse inclinados para que el agua pueda escurrirse.
- Todos los utensilios deben apilarse de forma segura para que no puedan volcarse.
- Todos los utensilios se colocan de manera que los brazos aspersores puedan girar libremente durante el lavado.
- Cargue los objetos huecos como tazas, vasos, sartenes, etc. Con la abertura hacia abajo para que el agua no se acumule en el recipiente o en una base profunda.
- Los platos y cubiertos no deben estar uno dentro del otro ni cubrirse entre sí.
- Para evitar daños, los vasos no deben tocarse entre sí.
- La cesta superior está diseñada para contener vajilla más delicada y liviana, como vasos y tazas de café y té.
- ¡Los cuchillos de hoja larga colocados en posición vertical son un peligro potencial!
- Los cubiertos largos o afilados, como los cuchillos para trinchar, deben colocarse horizontalmente en la cesta superior.
- No sobrecargue su lavavajillas. Esto es importante para obtener buenos resultados y un consumo razonable de energía.

### **NOTA**

Los objetos muy pequeños no deben lavarse en el lavavajillas, ya que podrían caerse fácilmente de la cesta.

Retirar la vajilla

Para evitar que caiga agua de la cesta superior a la inferior, le recomendamos que vacíe primero la cesta inferior y luego la superior.

**ADVERTENCIA**

**¡Los objetos están calientes!** Para evitar daños, no saque los vasos ni los cubiertos del lavavajillas en los siguientes 15 minutos después de que finalice el programa.

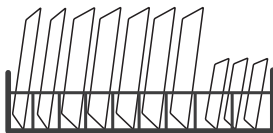
Cargar la cesta superior

La cesta superior se ha diseñado para contener vajilla más delicada y ligera, como vasos y tazas de café y té, así como platos, cuencos pequeños y sartenes poco profundas (siempre que no estén demasiado sucios). Coloque la vajilla y los utensilios de cocina de forma que el chorro de agua no los pueda mover.

Cargar la cesta inferior

• Le recomendamos que coloque los objetos grandes y difíciles de limpiar en la cesta inferior: tarros, sartenes, tapaderas, fuentes y cuencos, tal y como se muestra en la siguiente figura. Es preferible colocar los platos de servir y las tapas en los laterales de las rejillas, para evitar que se bloquee el giro del brazo aspersor superior.

• El diámetro máximo recomendado para los platos colocados delante del dosificador de detergente es de 19 cm, para no dificultar su apertura.

Cargar la cesta de cubiertos

Los cubiertos se deben colocar en la cesta de cubiertos, separados y en las posiciones adecuadas. Evite amontonar los cubiertos; de lo contrario, podrían no lavarse bien.

**ADVERTENCIA**

No deje que ningún objeto se escurra por la parte inferior.  
**¡Cargue siempre los utensilios afilados con la punta afilada hacia abajo!**



**NOTA**

Para garantizar una mejor limpieza, cargue las cestas según las opciones de carga estándar.

**Función del abrillantador y del detergente**


El abrillantador se distribuye durante el enjuague final para evitar que el agua forme gotas en los platos, que pueden dejar manchas y rayas. También mejora el secado al permitir que el agua se escurra de los platos. Su lavavajillas está diseñado para usar abrillantadores líquidos.

**ADVERTENCIA**

Utilice únicamente abrillantador de marca para lavavajillas. Nunca rellene el dispensador de abrillantador con otras sustancias (ej.: producto de limpieza de lavavajillas, detergente líquido). Esto dañaría el aparato.

**¿Cuándo hay que rellenar el abrillantador?**

La frecuencia con que se rellena el dosificador depende de la frecuencia con la que se lave la vajilla y el ajuste del abrillantador utilizado.

- El indicador de Nivel bajo de abrillantador (  ) se encenderá cuando se necesite más abrillantador.
- No llene en exceso el dosificador de abrillantador.

**Función del detergente**

- Los ingredientes químicos que componen el detergente son necesarios para eliminar y triturar toda la suciedad del lavavajillas y deshacerse de ella.
- La mayoría de los detergentes de calidad comercial son adecuados para ello.

**ADVERTENCIA**

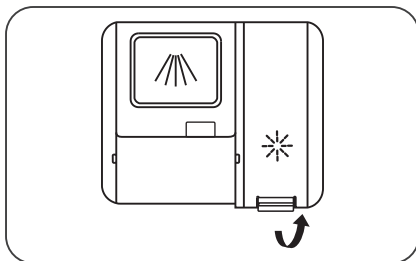
Uso correcto del detergente

- Utilice solo detergente fabricado específicamente para lavavajillas. Mantenga su detergente fresco y seco.
- No añada el detergente al dispensador hasta que esté listo para poner en marcha el lavavajillas

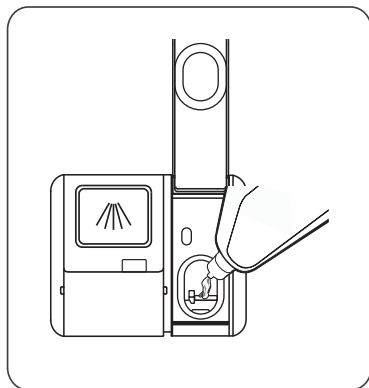
**El detergente para lavavajillas es corrosivo. Mantenga el detergente de lavavajillas fuera del alcance de los niños.**

Llenar el depósito de abrillantador

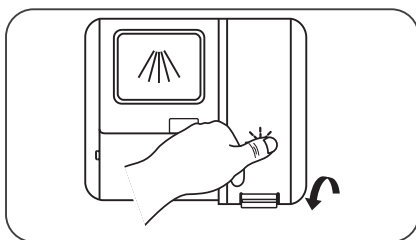
1. Quite la tapa del depósito de abrillantador levantando el asa.



2. Vierta abrillantador en el dosificador y asegúrese de no llenarlo demasiado.



3. Por último, cierre la tapa.



#### Ajuste del depósito de abrillantador

Para conseguir un mejor rendimiento de secado con poco abrillantador, el lavavajillas se ha diseñado para ajustar el consumo según el usuario. Siga los pasos que se indican a continuación.

1. Abra la puerta y encienda el aparato.

2. 60 segundos después de encender el aparato, pulse el botón Rápido durante más de 5 segundos y luego pulse el botón «+» para entrar en el modo de ajuste. El indicador de abrillantador parpadeará con una frecuencia de 1 Hz.

3. Pulse el botón Rápido de nuevo para seleccionar la configuración adecuada de acuerdo con sus hábitos de consumo. La configuración cambiará según la secuencia siguiente: D1->D2->D3->D4->D5->D1. Cuanto mayor sea el número, más abrillantador utilizará el lavavajillas.

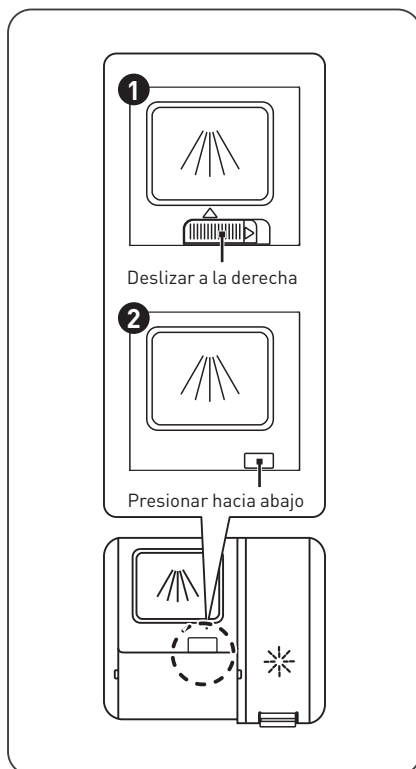
4. No toque nada durante 5 segundos o presione el interruptor de encendido para completar la configuración y salir del modo de configuración.

Rellenar el dispensador de detergente

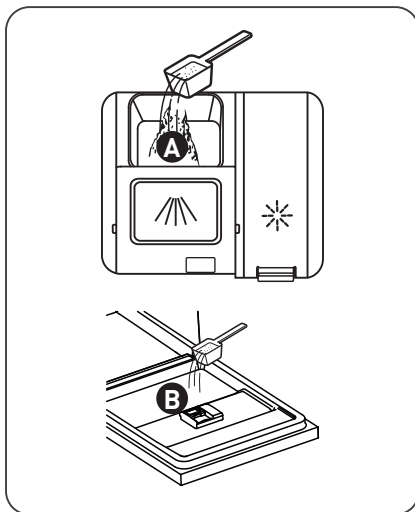
1. Seleccione la apertura según la situación correspondiente.

1 Abra la tapa deslizando el cierre.

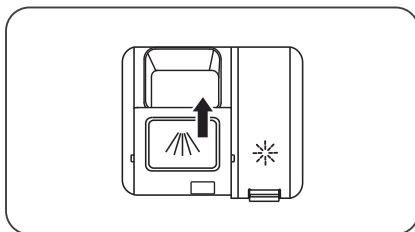
2 Abra la tapa presionando el cierre.



2. Añada detergente en la cavidad **A** más grande para el lavado principal. Para conseguir un resultado de limpieza mejor, sobre todo si los objetos están muy sucios, vierta un poco de detergente en la puerta. El detergente extra se activará durante la fase de prelavado.



3. Cierre la tapa deslizándola hacia la parte delantera y luego presione.

**NOTA**






Consulte las recomendaciones del fabricante en el envase del detergente.


## Programación del lavavajillas

### Tabla de ciclos de lavado

• La siguiente tabla muestra qué programas son mejores para los niveles de residuos de alimentos y cuánto detergente se necesita. También muestra información diversa sobre los programas.

(●) Significa: necesario rellenar abrillantador en el dosificador de abrillantador.

Programa	Descripción del ciclo	Detergente para prelavado/lavado principal	Tiempo de funcionamiento (min)	Energía (kWh)	Agua (l)	Abrillantador
 <b>Automático</b>	Prelavado (45°C) Autolavado (55-65°C) Aclarado Aclarado (50-55°C) Secado	4/18g (1 o 2 pastillas)	85-150	0,850-1,550	8,5-18,0	●
 <b>Intensivo</b>	Prelavado (50°C) Lavado (65°C) Aclarado Aclarado (60°C) Secado	4/18g (1 o 2 pastillas)	205	1,500	16,6	●
 <b>Universal</b>	Prelavado (45°C) Lavado (55°C) Aclarado Aclarado (55°C) Secado	4/18g (1 o 2 pastillas)	173	0,980	13,6	●
<b>ECO</b> (*EN60436)	Prelavado Lavado (50°C) Aclarado Aclarado (50°C) Secado	4/18g (1 o 2 pastillas)	220	0,645	9,8	●
 <b>Vidrio</b>	Prelavado Lavado (50°C) Aclarado (50°C) Aclarado (50°C) Secado	4/18g (1 o 2 pastillas)	120	0,950	13,5	●
 <b>90 min</b>	Lavado (60°C) Aclarado Aclarado (50°C) Secado	22g (1 pastilla)	90	1,180	12,5	●

Programa	Descripción del ciclo	Detergente para prelavado/lavado principal	Tiempo de funcionamiento (min)	Energía (kWh)	Agua (l)	Abrillantador
 <b>Rápido</b>	Lavado (45°C) Aclarado (45°C)	12g (1 pastilla)	30	0,820	11,2	○

**NOTA**

ECO (\*EN60436): El programa ECO es adecuado para la limpieza de una vajilla con un suciedad normal. En este caso, es el programa más eficiente en términos de consumo combinado de energía y agua, y se utiliza para evaluar el cumplimiento de la legislación de diseño ecológico de la UE.

**Ahorro de energía**

1. Si enjuaga la vajilla antes de introducirla en el aparato consumirá mayor agua y energía, por ello, no se recomienda hacerlo.
2. Lavar la vajilla en un lavavajillas doméstico generalmente consume menos energía y agua que lavar los platos a mano cuando el lavavajillas se usa según estas instrucciones.

**Iniciar un programa**

1. Saque las cesta inferior y superior, cargue la vajilla y empuje las cestas hacia atrás. Se recomienda cargar primero la cesta inferior y luego la superior.
2. Vierta el detergente.
3. Introduzca el enchufe en la toma. Para la fuente de alimentación consulte la última página «Ficha del producto». Asegúrese de que el suministro de agua esté abierto a la máxima presión.
4. Abra la puerta, presione el interruptor de encendido.
5. Elija un programa, la luz correspondiente se encenderá. Después cierre la puerta, el lavavajillas comenzará su ciclo.

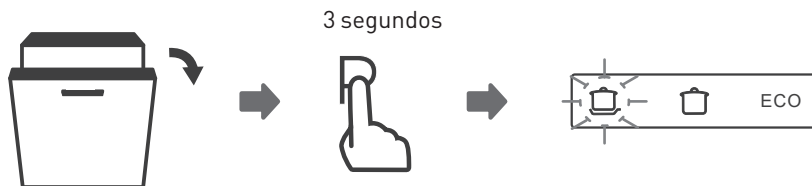
**Cambio de un programa a mitad de ciclo**

- Un programa solo se puede cambiar si ha estado funcionando solo durante un corto período de tiempo, de lo contrario, es posible que el detergente ya se haya liberado o que el

agua de lavado con el detergente ya se haya evacuado. Si este es el caso, el lavavajillas debe reiniciarse y el dosificador de detergente debe rellenarse.

Para reiniciar el lavavajillas, siga las siguientes instrucciones:

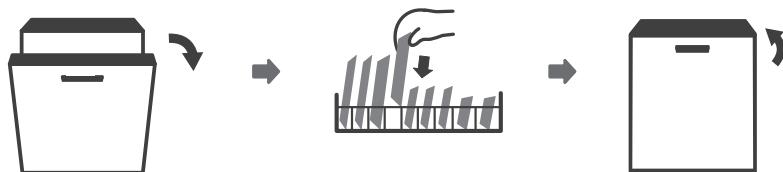
1. Abra un poco la puerta para detener el lavavajillas. Cuando el brazo aspersor se haya detenido, podrá abrir la puerta completamente.
2. Presione el botón Programa durante más de 3 segundos, el aparato pasará al modo de selección de programa.
3. Puede cambiar el programa a los ajustes del ciclo correspondiente.



### ¿Olvidó añadir algún plato?

Puede añadir un plato olvidado en cualquier momento antes de que se abra el dispensador de detergente. Si este es el caso, siga las instrucciones siguientes:

1. Abra la puerta ligeramente para detener el lavado.
2. Cuando los brazos aspersores se hayan detenido, podrá abrir la puerta completamente.
3. Incorpore los platos olvidados.
4. Cierre la puerta.
5. El lavavajillas empezará a funcionar de nuevo.





**ADVERTENCIA**

Es peligroso abrir la puerta a mitad del ciclo, ya que el vapor caliente podría quemarlo.

**Apertura automática**

Después del lavado, la puerta se abrirá automáticamente para conseguir un resultado mejor en el secado.

**NOTA**

La puerta del lavavajillas no debe quedar bloqueada cuando se haya configurado la apertura automática, ya que esto podría impedir el funcionamiento del cierre de la puerta.



La apertura de puerta automática está activado por defecto y funciona en todos los programas excepto en programas cortos (es decir, el programa rápido y el programa de aclarado, si su aparato los incluye). La función de apertura automática no se puede desactivar.

act  
door

## Mantenimiento y limpieza

### Limpieza de la parte exterior

#### La puerta y la junta de la puerta

- Limpie las juntas de la puerta con regularidad con un paño suave húmedo para eliminar los restos de comida.
- Cuando cargue el lavavajillas, los residuos de comida y bebida pueden gotear hacia los lados de la puerta del lavavajillas.
- Estas superficies están fuera de la zona de lavado y no se puede acceder a ellas mediante el agua de los brazos rociadores.
- Cualquier resto debe limpiarse antes de cerrar la puerta.

#### El panel de control

- Si debe limpiar el panel de control, utilice solo un paño suave y húmedo.

### ADVERTENCIA

- Para evitar que el agua penetre en la cerradura de la puerta y los componentes eléctricos, no utilice ningún tipo de limpiador en aerosol.
- Nunca use limpiadores abrasivos o estropajos en las superficies exteriores porque pueden rayar el acabado. Algunas servilletas de papel también pueden rayar o dejar marcas en la superficie.

## Limpeza de la parte interior

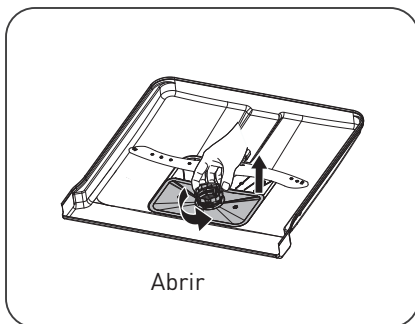
### Sistema de filtrado

- El sistema de filtrado en la base de la zona de lavado retiene los residuos gruesos del ciclo de lavado, incluidos los objetos extraños como palillos de dientes o fragmentos. Los residuos gruesos recogidos pueden hacer que los filtros se obstruyan. Compruebe el estado de los filtros con regularidad, retire con cuidado los objetos extraños y limpie las partes del sistema de filtrado si es necesario con agua.
- Siga los siguientes pasos para limpiar el filtro.

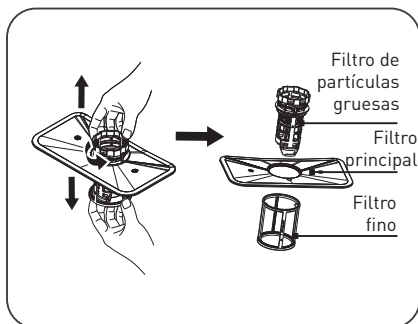
### NOTA

Las imágenes son solo para referencia, los diferentes modelos del sistema de filtrado y los brazos rociadores pueden ser diferentes.

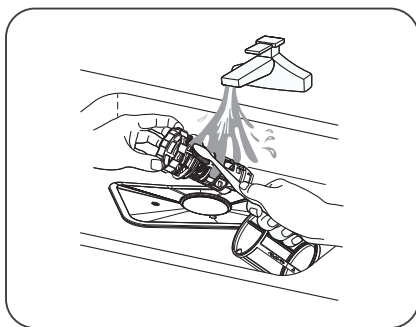
1. Sostenga el filtro grueso y gírelo en sentido antihorario para desbloquear el filtro. Levante el filtro y sáquelo del lavavajillas.



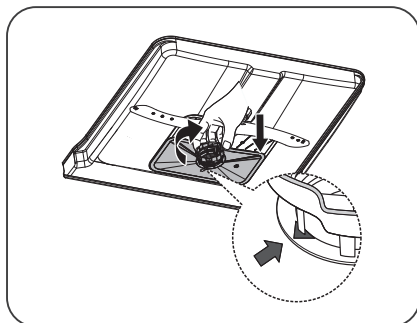
2. El filtro fino se puede extraer tirando de la parte inferior del conjunto del filtro. El filtro de partículas gruesas se puede separar del filtro principal apretando con suavidad las pestañas que hay en la parte superior y tirando hacia fuera.



3. Los restos de comida más grandes se pueden limpiar enjuagando el filtro con agua corriente. Para una limpieza más profunda, use un cepillo de limpieza suave.



4. Vuelva a ensamblar los filtros en el orden inverso, vuelva a colocar el cartucho del filtro y gírelo en el sentido de las agujas del reloj hasta llegar a la flecha.



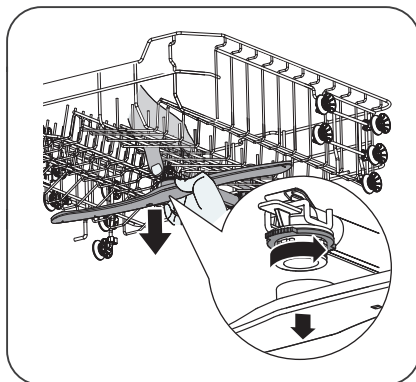
### ADVERTENCIA

- No apriete demasiado los filtros. Vuelva a colocar los filtros en el orden correcto; de lo contrario, podrían entrar residuos gruesos en el sistema y causar un bloqueo.
- Nunca use el lavavajillas sin los filtros colocados en su lugar. Si coloca los filtros de forma incorrecta, puede reducir el nivel de rendimiento del aparato y dañar platos y utensilios.

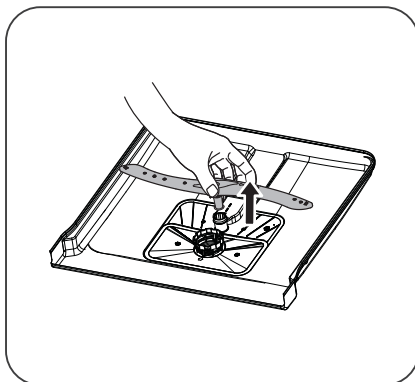
### Brazo aspersor

- Es necesario limpiar el brazo aspersor con regularidad, ya que el agua dura obstruirá los chorros y cojinetes del mismo.
- Para limpiar el brazo aspersor, siga las siguientes instrucciones:

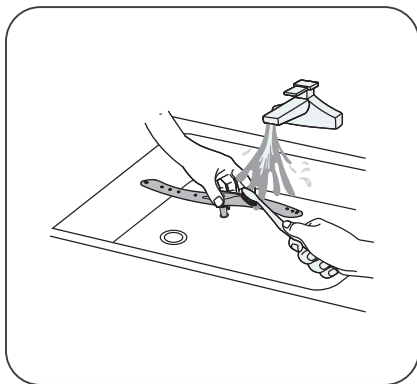
1. Para extraer el brazo aspersor superior, sujete la tuerca del centro y gire el brazo aspersor en sentido antihorario para quitarlo.



2. Para extraer el brazo aspersor inferior, tire de él hacia arriba.



3. Lave los brazos con agua tibia y jabón y use un cepillo suave para limpiar los chorros.



## Cuidado del lavavajillas

### Precaución contra la escarcha

• Tome las medidas de protección necesarias contra la escarcha del lavavajillas en invierno. Después de cada ciclo de lavado, siga los siguientes pasos:

1. Corte la energía eléctrica del lavavajillas en la fuente de suministro.
2. Cierre el suministro de agua y desconecte la tubería de entrada de agua de la válvula de agua.
3. Drene el agua de la tubería de entrada y la válvula de agua. (Use una olla para recoger el agua)
4. Vuelva a conectar la tubería de entrada de agua a la válvula de agua.

5. Retire el filtro del fondo del aparato y utilice una esponja para absorber el agua del desagüe.

#### Después de cada lavado

- Después de cada lavado, cierre el suministro de agua al aparato y deje la puerta ligeramente abierta durante un tiempo para evitar que la humedad y los olores se queden en el interior.

#### Retirar el enchufe

- Antes de limpiar o realizar el mantenimiento, retire el enchufe de la toma.

#### No utilice disolventes ni detergentes abrasivos

- Para limpiar el exterior y las partes de goma del lavavajillas, no use disolventes ni productos de limpieza abrasivos. Utilice únicamente un paño con agua tibia y jabón.

- Para quitar las manchas de la superficie del interior, utilice un paño humedecido con agua y un poco de vinagre, o un producto de limpieza elaborado específicamente para lavavajillas.

#### Cuando no vaya a utilizar el aparato durante un largo periodo de tiempo

- Se recomienda ejecutar un ciclo de lavado con el lavavajillas vacío y luego retirar el enchufe de la toma de corriente, cerrar el suministro de agua y dejar la puerta del aparato ligeramente abierta. Esto ayudará a que las juntas



de la puerta duren más tiempo y evitará que se formen olores dentro del aparato.

#### Mover el aparato

- Si es necesario mover el aparato, intente mantenerlo en posición vertical. Si es absolutamente necesario, se puede colocar boca arriba.

#### Juntas

- Uno de los factores que hace que se formen olores en el lavavajillas es la comida que queda atrapada en las juntas. La limpieza periódica con una esponja húmeda evitará que esto ocurra.

## Resolución de problemas

### Antes de llamar al servicio técnico

Las tablas de las páginas siguientes pueden evitar que tenga que llamar al servicio técnico

Problemas	Posibles causas	¿Qué hay que hacer?
El lavavajillas no se enciende	El fusible se ha quemado o el disyuntor ha saltado.	<ul style="list-style-type: none"> <li>• Cambie el fusible o reinicie el disyuntor.</li> <li>• Retire cualquier otro aparato que comparta el mismo circuito con el lavavajillas.</li> </ul>
	La fuente de alimentación no está encendida.	<ul style="list-style-type: none"> <li>• Asegúrese de que el lavavajillas está encendido y de que la puerta está bien cerrada.</li> <li>• Asegúrese de que el cable de alimentación está correctamente enchufado en la toma de corriente.</li> </ul>
	La presión del agua es baja	<ul style="list-style-type: none"> <li>• Compruebe que el suministro de agua esté conectado correctamente y que se haya abierto el agua.</li> </ul>
El lavavajillas no bombea el agua	La puerta del lavavajillas no está bien cerrada.	<ul style="list-style-type: none"> <li>• Asegúrese de cerrar la puerta correctamente.</li> </ul>
	El tubo de evacuación está enredado o aplastado.	<ul style="list-style-type: none"> <li>• Compruebe el tubo de evacuación.</li> </ul>
	El filtro está obstruido.	<ul style="list-style-type: none"> <li>• Compruebe el sistema de filtrado.</li> </ul>
	El fregadero de la cocina está obstruido.	<ul style="list-style-type: none"> <li>• Revise el fregadero de la cocina para asegurarse de que está evacuando correctamente. Si el problema es que el fregadero de la cocina no evacúa, puede que tenga que llamar a un fontanero en lugar de un técnico de lavavajillas.</li> </ul>

Problemas	Posibles causas	¿Qué hay que hacer?
Hay espuma en el interior	El detergente es incorrecto.	<ul style="list-style-type: none"> <li>• Utilice únicamente el detergente especial para lavavajillas para evitar la formación de espuma. Si esto sucediera, abra el lavavajillas y deje que la espuma se evapore. Añada 1 litro de agua fría al fondo del lavavajillas.</li> <li>• Cierre la puerta del lavavajillas y luego seleccione cualquier ciclo. Al principio, el lavavajillas vaciará el agua. Abra la puerta cuando finalice la fase de vaciado y compruebe si la espuma ha desaparecido.</li> </ul>
El interior del aparato está manchado	<p>El líquido abrillantador se ha derramado.</p> <p>Es posible que se haya usado detergente con colorante.</p>	<ul style="list-style-type: none"> <li>• Repita la operación si fuese necesario.</li> <li>• Limpie los restos de abrillantador derramado inmediatamente.</li> <li>• Asegúrese de que el detergente no tenga colorante.</li> </ul>
Hay una película blanca en la superficie interior	Minerales del agua dura.	<ul style="list-style-type: none"> <li>• Para limpiar el interior, use el paño suave húmedo con detergente para lavavajillas y use guantes de goma. Nunca use ningún otro limpiador que no sea un detergente específico para lavavajillas para evitar que se forme espuma.</li> </ul>

Problemas	Posibles causas	¿Qué hay que hacer?
Hay manchas de óxido en los cubiertos	Los cubiertos afectados no son resistentes a la corrosión.	<ul style="list-style-type: none"> <li>• Evite lavar artículos que no sean resistentes a la corrosión en el lavavajillas.</li> </ul>
	No se ejecutó un programa después de agregar sal para lavavajillas. Han quedado trazas de sal en el ciclo de lavado.	<ul style="list-style-type: none"> <li>• Ejecute siempre el programa de lavado rápido sin vajilla en el lavavajillas y sin seleccionar la función Turbo (si existe), después de añadir sal para lavavajillas.</li> </ul>
	La tapa del descalcificador está suelta.	<ul style="list-style-type: none"> <li>• Compruebe que la tapa del descalcificador esté bien cerrada.</li> </ul>
Se oyen golpes en el lavavajillas	El brazo aspersor golpea algún objeto de una cesta	<ul style="list-style-type: none"> <li>• Interrumpa el programa y reorganice los objetos que obstruyen el brazo aspersor.</li> </ul>
Se oye ruido en el lavavajillas	Hay objetos de la vajilla sueltos en el lavavajillas.	<ul style="list-style-type: none"> <li>• Interrumpa el programa y reorganice la vajilla.</li> </ul>
Se oyen golpes en las tuberías de agua	Esto puede deberse a la instalación in situ o a la sección transversal de la tubería.	<ul style="list-style-type: none"> <li>• Esto no influye en el funcionamiento del lavavajillas. En caso de duda, contacte con un fontanero cualificado.</li> </ul>

Problemas	Posibles causas	¿Qué hay que hacer?
Los platos no están limpios	Los platos no se introdujeron correctamente en las cestas.	<ul style="list-style-type: none"> <li>• Consulte la sección «Preparación y carga de la vajilla».</li> </ul>
	El programa no es suficientemente intenso.	<ul style="list-style-type: none"> <li>• Seleccione un programa más intenso.</li> </ul>
	No se utilizó suficiente detergente.	<ul style="list-style-type: none"> <li>• Use más detergente o cambie el detergente.</li> </ul>
	Hay objetos que bloquean el movimiento de los brazos aspersores.	<ul style="list-style-type: none"> <li>• Reorganice los objetos para que el brazo pueda girar libremente.</li> </ul>
	El conjunto de filtros en la base del aparato no está limpio o no está colocado correctamente. Esto puede hacer que las boquillas de los brazos aspersores se bloqueen.	<ul style="list-style-type: none"> <li>• Limpie y/o coloque el filtro correctamente. Limpie las boquillas de los brazos aspersores.</li> </ul>
La cristalería está blanquecina.	Combinación de agua blanda y demasiado detergente.	<ul style="list-style-type: none"> <li>• Use menos detergente si tiene agua blanda y seleccione un ciclo más corto para lavar la cristalería y dejarla limpia.</li> </ul>
Hay manchas blancas en los platos y vasos.	En las zonas de agua dura, se pueden producir depósitos de cal.	<ul style="list-style-type: none"> <li>• Compruebe los ajustes del descalcificador o el nivel de llenado del compartimento de sal.</li> </ul>
Hay marcas negras o grises en los platos	Los utensilios de aluminio se han frotado contra la vajilla	<ul style="list-style-type: none"> <li>• Utilice un limpiador abrasivo suave para eliminar esas marcas.</li> </ul>
Se ha quedado detergente en el dosificador	Los platos bloquean los compartimentos del dispensador de detergente	<ul style="list-style-type: none"> <li>• Coloque de nuevo la vajilla correctamente.</li> </ul>

Problemas	Posibles causas	¿Qué hay que hacer?
La vajilla no se seca	El aparato no se ha cargado correctamente	<ul style="list-style-type: none"> <li>• Use guantes si hay residuos de detergente en los platos para no irritar la piel.</li> </ul>
	Los platos se han extraído demasiado pronto	<ul style="list-style-type: none"> <li>• No vacíe el lavavajillas inmediatamente después del lavado. Abra la puerta ligeramente para que pueda salir el vapor. Saque la vajilla hasta que la temperatura interior sea segura para el tacto. Descargue primero la cesta inferior para evitar que caiga agua desde la cesta superior.</li> </ul>
	Se ha seleccionado un programa incorrecto.	<ul style="list-style-type: none"> <li>• Con un programa corto, la temperatura de lavado es más baja, lo que reduce los resultados de la limpieza. Elija un programa con un tiempo de lavado prolongado.</li> </ul>
	Uso de cubiertos con revestimiento de baja calidad.	<ul style="list-style-type: none"> <li>• La evacuación del agua es más difícil con estos objetos. Los cubiertos o platos de este tipo no son aptos para lavarlos en el lavavajillas.</li> </ul>

## ADVERTENCIA

Si usted mismo o una persona no cualificada repara el lavavajillas, pueden causar serios riesgos para la seguridad del usuario del mismo y afectar la garantía.

### **Disponibilidad de las piezas de recambio**

#### Siete años después de la puesta en el mercado de la última unidad del modelo:

Motor, bomba de circulación y drenaje, calentadores y elementos calefactores, bombas de calor (por separado o agrupadas), tuberías y equipos relacionados, tubos, válvulas, filtros y topes, piezas estructurales e interiores relacionadas con las puertas (por separado o agrupadas), placas del circuito impreso, pantallas electrónicas, presostatos, termostatos y sensores, software y firmware, incluido el software de reinicio.

#### Diez años después de la puesta en el mercado de la última unidad del modelo:

Bisagras y juntas de puertas, otras juntas, brazos aspersores, filtros de drenaje, rejillas interiores y elementos exteriores de plástico como cestas y tapas.

## Códigos de error

Si hay algún fallo, el lavavajillas mostrará un código de error. La siguiente tabla muestra los posibles códigos de error y sus causas.

Códigos	Significado	Posibles causas
<b>E1</b>	Tiempo de entrada de agua muy largo.	Los grifos no están abiertos, la entrada de agua es limitada o la presión del agua es demasiado baja.
<b>E3</b>	No se alcanza la temperatura requerida.	Mal funcionamiento del elemento calefactor.
<b>E4</b>	Desbordamiento.	Algún elemento del lavavajillas provoca fugas.
<b>E8</b>	Error en la orientación de la válvula de distribución.	Circuito abierto o avería de la válvula de distribución.
<b>E9</b>	Mantenga pulsado un botón durante más de 30 segundos.	Agua u otra sustancia en el botón.
<b>Ec</b>	Fallo del sistema de control de lavado.	Fallo del PCB o motor.
<b>Ed</b>	Fallo en la comunicación entre la placa del circuito principal y la placa del circuito de visualización.	Circuito abierto o cableado roto para la comunicación.

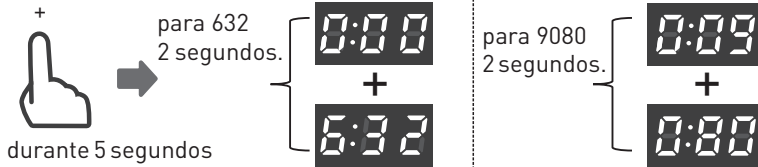
### ADVERTENCIA

- Si ocurre un desbordamiento, cierre el suministro principal de agua antes de llamar al servicio de posventa.
- Si hay agua en la bandeja de la base debido a un desbordamiento o una pequeña fuga, elimine el agua antes de reiniciar el lavavajillas.
- Si hay algún código de error que no puede resolver, solicite asistencia profesional.



## Contador de utilización

Cuando se conecta el cable de alimentación, pero el lavavajillas no está encendido, mantenga pulsado el botón de Inicio diferido «+» durante 5 segundos, la pantalla del lavavajillas mostrará el contador de utilización.



Ejemplo:

632: Muestra «000» durante dos segundos, después aparece «632» durante dos segundos, al final se apagará.

9080: Muestra «009» durante dos segundos, después aparece «080» durante dos segundos, al final se apagará.



