



## WARRANTY CONDITION

EN

This product has a 2-year warranty as of the date of purchase\*, covering any fault resulting from a manufacturing or material defect. This warranty does not cover defects or damage resulting from incorrect installation, improper use or abnormal wear of the appliance.

\*upon presentation of the sales receipt.

## CONDITION DE GARANTIE

FR

Ce produit est garanti pour une période de 2 ans à partir de la date d'achat\*, contre toute défaillance résultant d'un vice de fabrication ou de matériau. Cette garantie ne couvre pas les vices ou les dommages résultant d'une mauvaise installation, d'une utilisation incorrecte ou de l'usure anormale du produit.

\*sur présentation du ticket de caisse.

## GARANTIEVOORWAARDEN

NL

Dit product wordt gegarandeerd voor een periode van 2 jaar vanaf de aankoopdatum\*, voor elke storing die het gevolg is van een fabricagefout of het materiaal. Gebreken of schade door slechte installatie, onjuist gebruik of abnormale slijtage van het product worden niet gedekt door deze garantie.

\*op vertoon van kassabon.

## CONDICIONES DE GARANTÍA

ES

El certificado de garantía de este producto tiene una duración de 2 años a partir de la fecha de compra\* que se limita a los defectos de fabricación y averías del material. Se excluyen de la garantía deficiencias o daños originados por una mala instalación, errores en la manipulación o por un uso inadecuado.

\*previa presentación del comprobante de compra.

MADE IN PRC

---

ELECTRO DEPOT

1 route de Vendeville

59155 FACHES-THUMESNIL

FRANCE



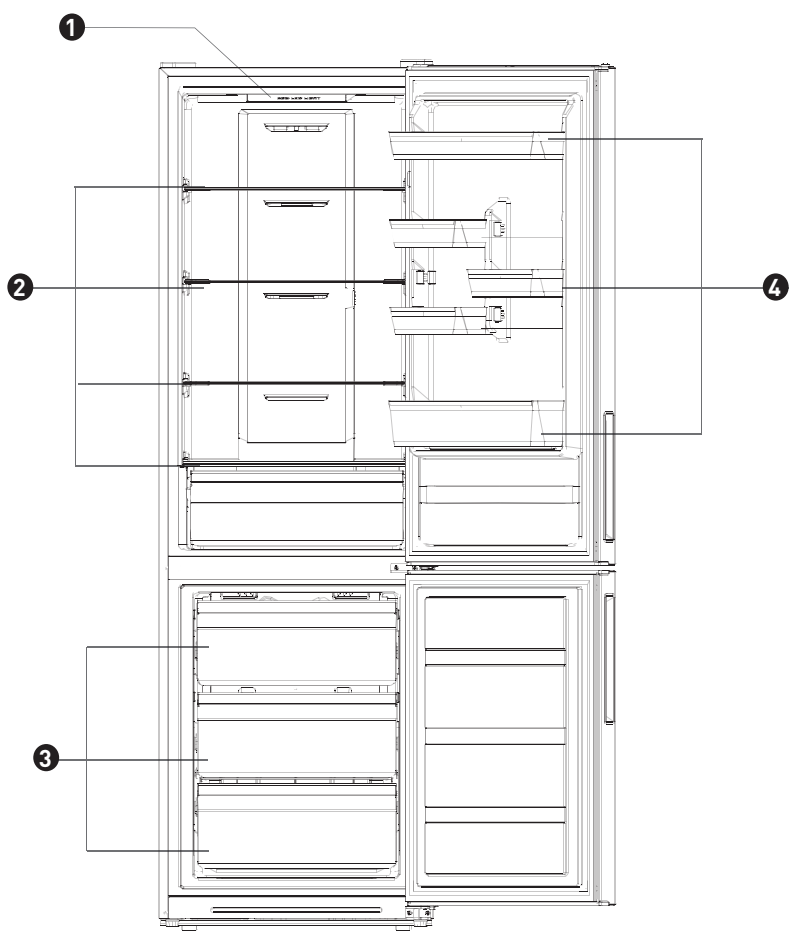
Refrigerator - Freezer  
Réfrigérateur-congérateur  
Koelkast - Diepvriezer  
Frigorífico - Congelador

976043 - CNF 310 D X625C

INSTRUCTIONS FOR USE	.....02
CONSIGNES D'UTILISATION	.....22
GEBRUIKSAANWIJZINGEN	.....42
INSTRUCCIONES DE USO	.....62

**VALBERG**













# Thanks!

Thank you for choosing this VALBERG product. Chosen, tested and recommended by ELECTRO DEPOT, the products of the VALBERG brand are easy to use, reliable and of an impeccable standard. Thanks to this appliance, you can be sure that each use will bring you satisfaction.

Welcome to ELECTRO DEPOT.

Visit our website: [www.electrodepot.fr](http://www.electrodepot.fr)



**A**

**Preview of the  
appliance**

Description of the appliance

---

**B**

**Using the appliance**

Proper use of refrigerators  
Functions

---

**C**

**Useful information**

Maintenance and care of the refrigerators  
Troubleshooting

## Description of the appliance

① LED lighting

③ Drawer

② Shelf

④ Door tray

(The picture above is only for reference. The actual configuration will depend on the physical product or statement by the distributor)

### Refrigerating chamber

- The Refrigerating Chamber is suitable for storage of a variety of fruits, vegetables, beverages and other food consumed in the short term, suggested storage time 3 days to 5 days.
- Cooking foods shall not be put in the refrigerating chamber until cooled to room temperature.
- Foods are recommended to be sealed up before putting into the refrigerator.
- The glass shelves can be adjusted up or down for a reasonable amount of storage space and easy use.

### Freezing chamber

- The low temperature freezing chamber may keep food fresh for a long time and it is mainly used to store frozen foods and making ice.
- The freezing chamber is suitable for storage of meat, fish, rice balls and other foods not to be consumed in short term.
- Chunks of meat are preferably to be divided into small pieces for quick freezing and easy access. Please be noted food shall be consumed within the shelf time.

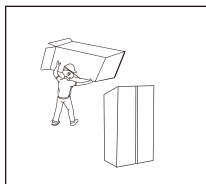
Drawers, food box and shelves are the most energy-saving when placed in the factory. Please refer to the above pictures.

### NOTE:

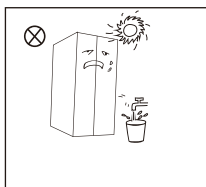
Storage of too much food during operation after the initial connection to power may adversely affect the freezing effect of the refrigerator.

## Proper use of refrigerators

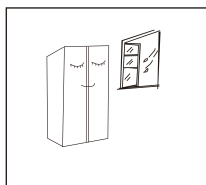
### Placement



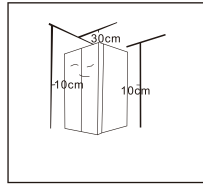
- Before use, remove all packing materials, including bottom cushions, foam pads and tapes inside of the refrigerator; tear off the protective film on the doors and the refrigerator body.



- Keep away from heat and avoid direct sunlight. Do not place the freezer in moist or watery places to prevent rust or reduction of insulating effect.
- Do not spray or wash the refrigerator; do not put the refrigerator in moist places easy to be splashed with water so as not to affect the electrical insulation properties of the refrigerator.



- The refrigerator is placed in a well-ventilated indoor place; the ground shall be flat, and sturdy (rotate left or right to adjust the wheel for leveling if unstable).



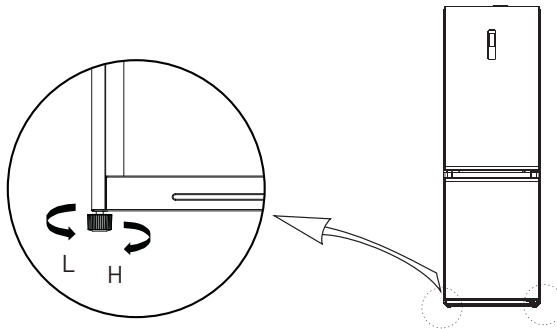
- The top space of the refrigerator shall be greater than 30cm, and the refrigerator should be placed against a wall with a free distance more than 10cm to facilitate heat dissipation.

### WARNING:

Before installation or adjusting of accessories, it shall be ensured that the refrigerator is disconnected from power. Precautions shall be taken to prevent fall of the handle from causing any personal injury.

### Leveling feet

Schematic diagram of the levelling feet



(The picture above is only for reference. The actual configuration will depend on the physical product or statement by the distributor.)

### Adjusting procedures:

- Turn the feet clockwise to raise the refrigerator;
- Turn the feet counterclockwise to lower the refrigerator;
- Adjust the right and left feet based on the procedures above to a horizontal level.

**Door right-left change****List of tools to be provided by the user**

Cross-screwdriver



5/16" socket and ratchet

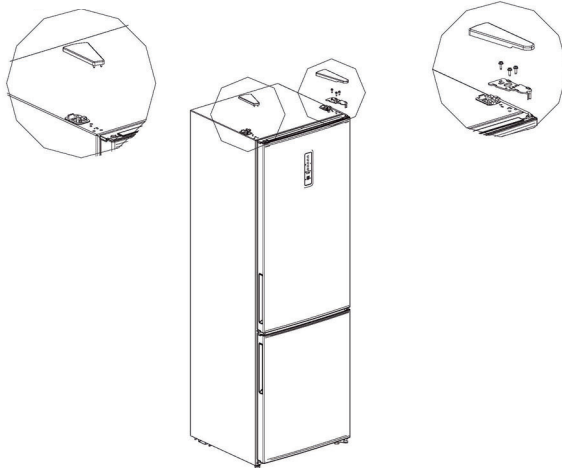


Putty knife thin-blade screwdriver

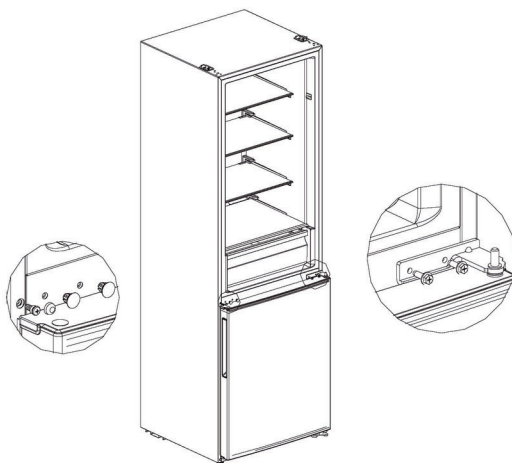


Masking tape

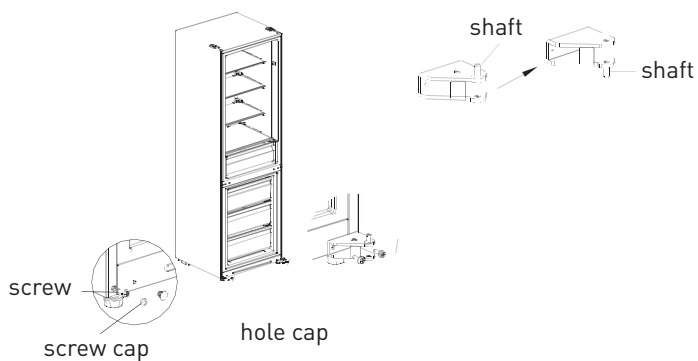
1. Power off the refrigerator, and remove all objects from the door trays.
2. Dismantle upper hinge cover, disconnect the signal wires ,upper hinge and hole cap of the other side, remove the refrigerating door.



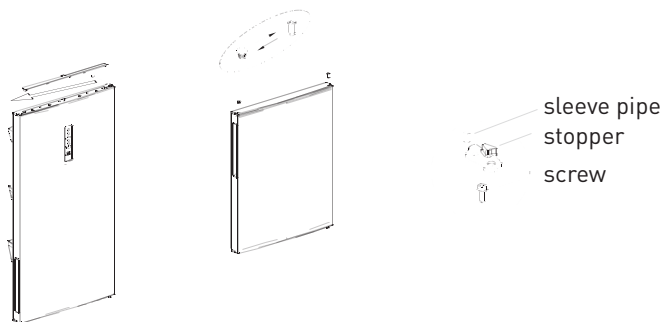
3. Dismantle the middle hinge, the screws, the screws hole caps and remove the freezer door.



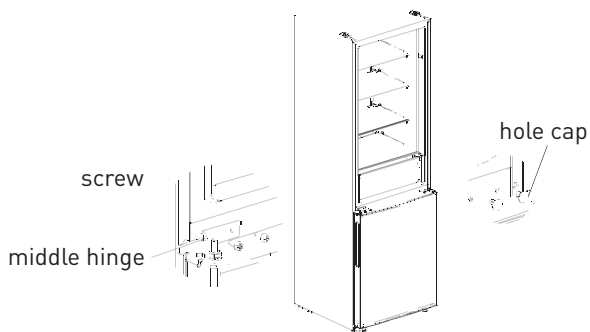
4. Dismantle the bottom hinge, hole caps and screws, Install the bottom hinge shaft on other side of the bottom hinge, then install the hinge on the other side.



5. Dismantle the screws, sleeve pipe and stopper on the lower end cover of the two door bodies, and install them successively on the other side of the door bodies (the stopper needs to be replaced from the additional bag). Then remove the upper end cover of the cooler door and switch the wire harness with a sleeve pipe to the other side of the door body. Finally install the sleeve pipe of the upper hinge on the cooler door in the hole on the other side of upper end cover of the cooler door.



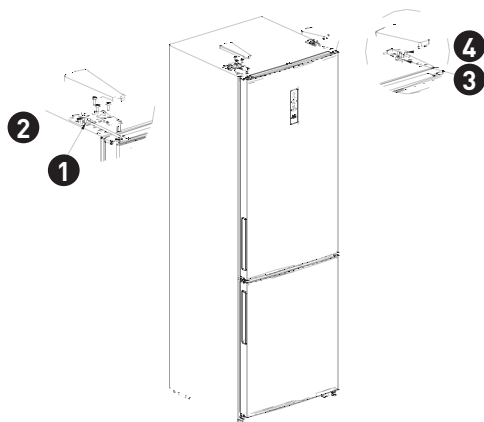
6. Put the freezer door on bottom hinge, install the middle hinge, the screws and the screw hole caps.



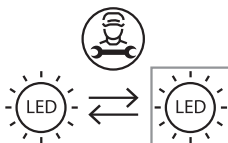
(The picture above is only for reference. The actual configuration will depend on the physical product or statement by the distributor)



7. Place the door body for the refrigerator compartment on the middle hinge, then install the upper hinge to the other side of the cabinet, finally connect the terminals **1**, **2** for the signal wires at the side of the upper hinge and terminals **3**, **4** on the other side and cover the hinge cover and hole cover.



### Changing the light



• This product contains a light source of energy efficiency class F. Light source in this product can only be replaced by qualified professionals. Please contact after-sales service if the light source fails. The light source shall be removed at the end of the product's useful life, with sorting and recycling done separately.



1. Please take out the plug before removal.



2. Remove the lampshade with a screwdriver.

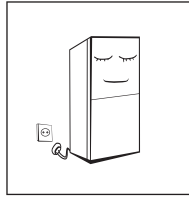


3. Take down the lamp panel.

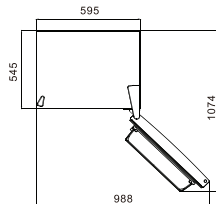


4. Remove the connection terminal.

### Starting to use



- Before initial start, keep the refrigerator still for half an hour before connecting it to power supply.
- Before putting any fresh or frozen foods, the refrigerator shall have run for 2-3 hours, or for above 4 hours in summer when the ambient temperature is high.

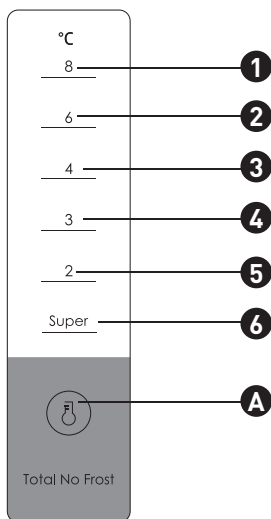


- Spare enough space for convenient opening of the doors and drawers or statement by the distributor.

### Energy saving tips

- The appliance should be located in the coolest area of the room, away from heat producing appliances or heating ducts, and out of the direct sunlight.
- Let hot foods cool to room temperature before placing in the appliance. Overloading the appliance forces the compressor to run longer. Foods that freeze too slowly may lose quality, or spoil.
- Be sure to wrap foods properly, and wipe containers dry before placing them in the appliance. This cuts down on frost build-up inside the appliance.
- Appliance storage bin should not be lined with aluminum foil, wax paper, or paper toweling. Liners interfere with cold air circulation, making the appliance less efficient.
- Organize and label food to reduce door openings and extended searches. Remove as many items as needed at one time, and close the door as soon as possible.

## Functions



(The picture above is only for reference. The actual configuration will depend on the physical product or statement by the distributor)

### 1. Key

**A** Temperature setting button

### 2. Display screen

**1** temperature setting 1

**2** temperature setting 2

**3** temperature setting 3

**4** temperature setting 4

**5** temperature setting 5

**6** temperature setting 6

### 3. Display

- When power-on the refrigerator, the display screen (including the key light) will shine in full for 3s, then the refrigerator runs according to temperature setting 3.
- Display of normal running
- On the occurrence of a failure, the corresponding LED light will give a combined display of failure code (in recycling display);
- Where there is no failure, the LED light will display the existing temperature setting.

### 4. Gear setting

- The temperature setting will be changed once every time when you press the key SET. Then, the refrigerator will run under the new setting value after 15s.

### 5. Adjustment of manual air damper knob

- Turn the air damper slider up, the actual temperature inside the freezer room will drop,
- Turn the air damper slider down, the actual temperature inside the freezer room will rise.

Setting1 → Setting2 → Setting3 → Setting4 → Setting5 → Setting6 → Setting1 →...

FRIDGE-TEMP



Thermostat setting for ambient T°C : NORMAL ≈ +24°C (± 4°C)      4°C/COLDER

Thermostat setting for ambient T°C : COLD ≈ +16°C (± 4°C)      4°C/COLDER

Thermostat setting for ambient T°C : HOT ≈ +32°C (± 4°C)      4°C/COLDER

### 6. Error code

The following warnings appearing on the display indicate corresponding faults of the refrigerator. Though the refrigerator may still have cooling and freezing function with the following faults, the user shall contact a maintenance specialist for maintenance, so as to ensure normal use of the refrigerator.

Fault Code	Fault Description
The LED ❶ and LED ❷ lit	Refrigerator temperature sensor circuit
The LED ❶ and LED ❸ lit	Freezer defrost sensor
The LED ❶ and LED ❹ lit	Ambient temperature sensor

#### NOTE:

The quick-freezing function is designed to maintain the nutritional value of the food in the freezer. It can freeze the food in the shortest time. If a large amount of food is frozen at one time, it is recommended that the user turn on the quick-freezing function and put the food in. At this time, the freezing speed of the freezer compartment is increased, which can quickly freeze the food, effectively lock the nutrition of the food, and facilitate storage.

## Maintenance and care of the refrigerators

### Overall cleaning

- Dusts behind the refrigerator and on the ground shall be timely cleaned to improve the cooling effect and energy saving.
- Check the door gasket regularly to make sure there are no debris. Clean the door gasket with a soft cloth dampened with soapy water or diluted detergent.
- The interior of the refrigerator should be cleaned regularly to avoid odor.
- Please turn off the power before cleaning interior, remove all foods, drinks, shelves, drawers, etc.
- Use a soft cloth or sponge to clean the inside of the refrigerator, with two tablespoons of baking soda and a quart of warm water. Then rinse with water and wipe clean. After cleaning, open the door and let it dry naturally before turning on the power.
- For areas that are difficult to clean in the refrigerator (such as narrow sandwiches, gaps or corners), it is recommended to wipe them regularly with a soft rag, soft brush, etc. and when necessary, combined with some auxiliary tools (such as thin sticks) to ensure no contaminants or bacterials accumulation in these areas.

- Do not use soap, detergent, scrub powder, spray cleaner, etc., as these may cause odors in the interior of the refrigerator or contaminated food.
- Clean the bottle frame, shelves and drawers with a soft cloth dampened with soapy water or diluted detergent. Dry with a soft cloth or dry naturally.
- Wipe the outer surface of the refrigerator with a soft cloth dampened with soapy water, detergent, etc., and then wipe dry.
- Do not use hard brushes, clean steel balls, wire brushes, abrasives (such as toothpastes), organic solvents (such as alcohol, acetone, banana oil, etc.), boiling water, acid or alkaline items, which may damage the fridge surface and interior. Boiling water and organic solvents such as benzene may deform or damage plastic parts.
- Do not rinse directly with water or other liquids during cleaning to avoid short circuits or affect electrical insulation after immersion.

**WARNING:**

**Please unplug the refrigerator for defrost and cleaning.**



## Defrosting

- The refrigerator is made based on the air-cooling principle and thus has automatic defrosting function. Frost formed due to change of season or temperature may also be manually removed by disconnection of the appliance from power supply or by wiping with a dry towel.

## Out of operation

- Power failure: In case of power failure, even if it is in summer, foods inside the appliance can be kept for several hours; during the power failure, the times of door opening shall be reduced, and no more fresh food shall be put into the appliance.
- Long-time nonuse: The appliance shall be unplugged and then cleaned; then the doors are left open to prevent odor.
- Moving: Before the refrigerator is moved, take all objects inside out, fix the glass partitions, vegetable holder, freezing chamber drawers and etc. with tape, and tighten the levelling feet; close the doors and seal them with tape. During moving, the appliance shall not be laid upside down or horizontally,



or be vibrated; the inclination during movement shall be no more than 45°.

**WARNING:**

**The appliance shall run continuously once it is started. Generally, the operation of the appliance shall not be interrupted; otherwise the service life may be impaired**

## Troubleshooting

You may try to solve the following simple problems by yourself. If them cannot be solved, please contact the after-sales department.

Failed operation	<ul style="list-style-type: none"> <li>• Check whether the appliance is connected to power or whether the plug is in well contact</li> <li>• Check whether the voltage is too low</li> <li>• Check whether there is a power failure or partial circuits have tripped</li> </ul>
Odor	<ul style="list-style-type: none"> <li>• Odorous foods shall be tightly wrapped</li> <li>• Check whether there is any rotten food</li> <li>• Clean the inside of the refrigerator</li> </ul>
Long-time operation of the compressor	<ul style="list-style-type: none"> <li>• Long operation of the refrigerator is normal in summer when the ambient temperature is high</li> <li>• It is not suggestible having too much food in the appliance at the same time</li> <li>• Food shall get cool before being put into the appliance</li> <li>• The doors are opened too frequently</li> </ul>
Light fails to get lit	<ul style="list-style-type: none"> <li>• Check whether the refrigerator is connected to power supply and whether the illuminating light is damaged</li> <li>• Have the light replaced by a specialist</li> </ul>
Doors cannot be properly closed	<ul style="list-style-type: none"> <li>• The door is stuck by food packages</li> <li>• The refrigerator is tilted</li> </ul>
Loud noise	<ul style="list-style-type: none"> <li>• Check whether the floor is level and whether the refrigerator is placed stably</li> <li>• Check whether accessories are placed at proper locations</li> </ul>

Door seal fails to be tight	<ul style="list-style-type: none"><li>• Remove foreign matters on the door seal</li><li>• Heat the door seal and then cool it for restoration (or blow it with an electrical drier or use a hot towel for heating)</li></ul>
Water pan overflows	<ul style="list-style-type: none"><li>• There is too much food in the chamber or food stored contains too much water, resulting in heavy defrosting.</li><li>• The doors are not closed properly, resulting in frosting due to entry of air and increased water due to defrosting.</li></ul>
Hot housing	<ul style="list-style-type: none"><li>• Heat dissipation of the built-in condenser via the housing, which is normal</li><li>• When housing becomes hot due to high ambient temperature, storage of too much food, provide sound ventilation to facilitate heat dissipation.</li></ul>
Surface condensation	<ul style="list-style-type: none"><li>• Condensation on the exterior surface and door seals of the refrigerator is normal when the ambient humidity is too high. Just wipe the condensate with a clean towel.</li></ul>
Abnormal noise	<ul style="list-style-type: none"><li>• Buzz: The compressor may produce buzzes during operation, and the buzzes are loud particularly upon start or stop. This is normal.</li><li>• Creak: Refrigerant flowing inside of the appliance may produce creak, which is normal.</li></ul>



# Merci !

Nous vous remercions d'avoir choisi ce produit VALBERG.

Choisis, testés et recommandés par ELECTRO DEPOT, les produits de la marque VALBERG sont simples d'utilisation, tout en offrant des performances fiables et une qualité irréprochable.

Grâce à cet appareil, vous êtes assuré(e) que chaque utilisation vous apportera satisfaction.

Bienvenue chez ELECTRO DEPOT.

Consultez notre site Internet : [www.electrodepot.fr](http://www.electrodepot.fr)  
[www.electrodepot.be](http://www.electrodepot.be)



**ELECTRO DEPOT**

## A

### Aperçu de l'appareil

Description de l'appareil

---

## B

### Utilisation de l'appareil

Utilisation correcte du réfrigérateur  
Fonctions

---

## C

### Informations utiles

Maintenance et entretien de l'appareil  
Dépannage

Les instructions sont également disponibles sur le site  
<http://www.electrodepot.fr/sav/notices/>  
<http://www.electrodepot.fr/sav/notices>

## Description de l'appareil

❶ Éclairage LED

❸ Tiroir

❷ Clayette

❹ Balconnet de porte

(L'illustration ci-dessus est uniquement fournie à titre de référence. La configuration effective dépendra du produit physique ou de la déclaration par le distributeur)

### Compartiment de réfrigération

- Le compartiment de réfrigération convient à la conservation d'une variété de fruits, de légumes, de boissons et d'autres aliments consommés à court terme, la durée de conservation suggérée étant de 3 à 5 jours.
- Les aliments cuits ne doivent pas être placés dans le compartiment de réfrigération tant qu'ils n'ont pas refroidi et atteint la température ambiante.
- Il est recommandé d'emballer les aliments de manière hermétique avant de les ranger dans le réfrigérateur.
- Les clayettes en verre peuvent être déplacées vers le haut ou le bas pour faciliter l'utilisation de l'appareil et disposer d'un espace de rangement suffisant.

### Compartiment de congélation

- Le compartiment de congélation à basse température permet de garder les aliments frais pendant longtemps. Il est principalement utilisé pour conserver des produits surgelés et pour fabriquer des glaçons.
- Le compartiment de congélation convient pour la conservation de viande, de poisson, de légumes et d'autres aliments qui ne vont pas être consommés à court terme.
- Il est préférable de découper la viande en petits morceaux pour accélérer la congélation et pour un rangement plus facile. Veuillez noter que les aliments doivent être consommés avant la fin de leur durée limite de conservation.

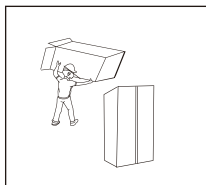
Les tiroirs, la boîte et les clayettes consomment moins d'énergie en configuration d'usine. Veuillez vous référer aux images ci-dessus.

### REMARQUE :

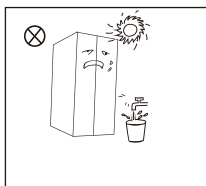
Si vous placez une quantité trop importante d'aliments après le premier raccordement au secteur, cela risque d'affecter les propriétés de congélation de l'appareil.

## Utilisation correcte du réfrigérateur

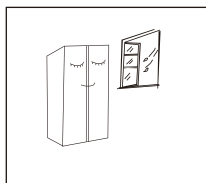
### Installation



- Avant d'utiliser l'appareil, retirez tous les matériaux d'emballage, y compris le rembourrage du fond, les blocs de mousse et les adhésifs situés à l'intérieur ; ôtez le film de protection des portes et du corps du réfrigérateur.

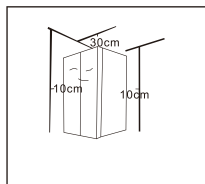


- Conservez l'appareil à l'abri de la chaleur et de la lumière directe du soleil. Ne le placez pas dans un endroit humide ou à proximité d'un point d'eau pour éviter la formation de rouille ou la diminution de l'effet isolant.
- Vous ne devez pas pulvériser ou laver le réfrigérateur. Ne le placez pas dans des endroits humides où il pourrait facilement recevoir des éclaboussures d'eau, pour ne pas nuire aux propriétés d'isolation électrique de l'appareil.



- Le réfrigérateur doit être positionné dans un endroit bien ventilé, en intérieur. La surface sur laquelle il est posé doit être plane et solide (tournez les pieds vers la gauche ou la droite pour le mettre à niveau s'il n'est pas stable).





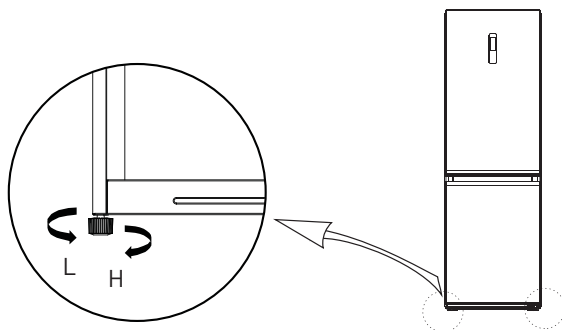
- Il convient de prévoir un espace de plus de 30 cm au-dessus du réfrigérateur. L'appareil doit être placé contre un mur, en laissant un espace libre de plus de 10 cm afin de faciliter la dissipation de la chaleur.

### AVERTISSEMENT :

Avant d'installer ou de régler les accessoires, assurez-vous d'avoir débranché le réfrigérateur du secteur. Vous devez prendre des précautions pour éviter de faire tomber la poignée et de causer des blessures.

### Pieds de mise à niveau

Schéma des pieds de mise à niveau



(Le schéma ci-dessus est fourni à titre indicatif uniquement. La configuration réelle dépend du produit concerné ou des indications fournies par le distributeur.)

### Procédures d'ajustement :

- Tournez les pieds dans le sens des aiguilles d'une montre pour rehausser l'appareil.
- Tournez les pieds dans le sens inverse des aiguilles d'une montre pour abaisser l'appareil.
- Réglez le pied droit et le pied gauche en suivant la procédure ci-dessus, jusqu'à ce que l'appareil soit de niveau.

**Changement du sens d'ouverture de la porte****Liste des outils à fournir par l'utilisateur**

Tournevis cruciforme



Douille et manche 5/16"

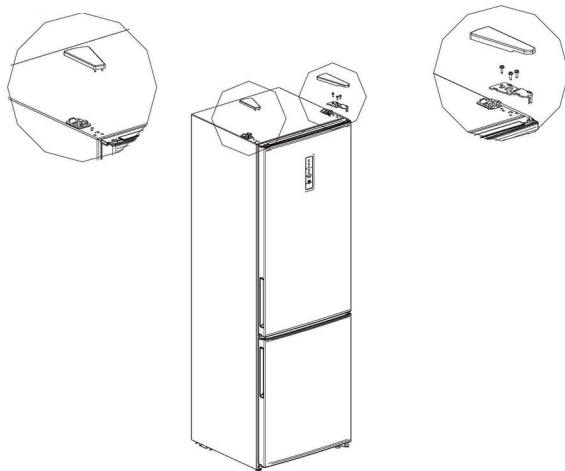


Couteau à mastic Tournevis fin et plat



Ruban de masquage

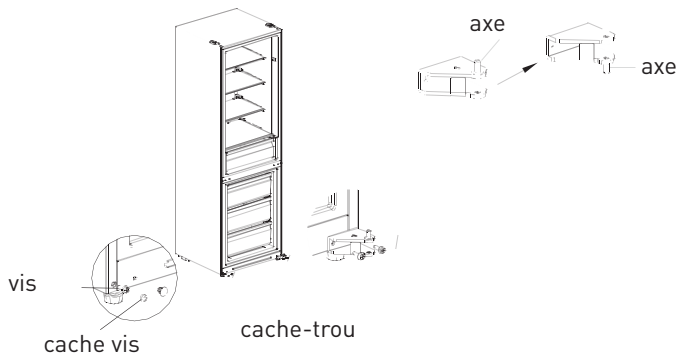
1. Coupez l'alimentation du réfrigérateur, et retirez tous les objets des balconnets de porte.
2. Retirez le cache-charnière supérieure, déconnectez les fils de signal, la charnière supérieure et le cache-trou de l'autre côté, retirez la porte du réfrigérateur.



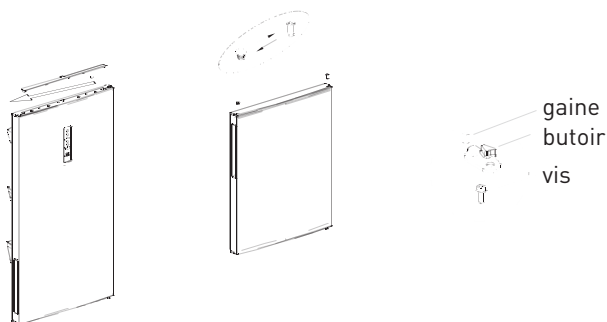
3. Retirez la charnière centrale, les vis, les caches-trous des vis et retirez la porte du congélateur.



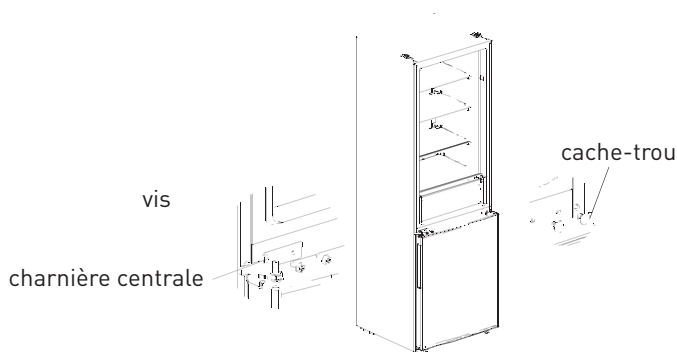
4. Retirez la charnière inférieure, les caches-trous et les vis, installez l'axe de la charnière inférieure de l'autre côté de la charnière inférieure, puis installez la charnière de l'autre côté.



5. Retirez les vis, la gaine du tuyau et le butoir du cache inférieur des deux corps de porte, et installez-les successivement sur l'autre côté des portes (le butoir doit être remplacé par celle du sachet d'accessoire). Retirez ensuite le cache supérieur de la porte du réfrigérateur et faites passer le faisceau de câble avec une gaine de tuyau de l'autre côté de la porte. Enfin, installez la gaine de tuyau de la charnière supérieure de la porte du congélateur dans le trou de l'autre côté du cache supérieur de la porte du congélateur.

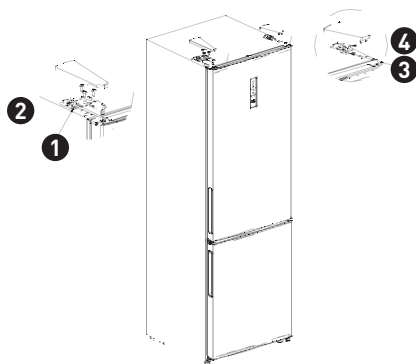


6. Placez la porte du congélateur sur la charnière inférieure, installez la charnière centrale, les vis et les caches-trous des vis.

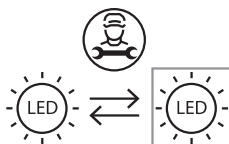


(Le schéma ci-dessus est fourni à titre indicatif uniquement. La configuration réelle dépend du produit concerné ou des indications fournies par le distributeur).

7. Placez la porte du compartiment réfrigérateur sur la charnière centrale, puis installez la charnière supérieure de l'autre côté du châssis. Enfin, reliez les terminaux **1**, **2** pour les fils de signal sur le côté de la charnière supérieure et les terminaux **3**, **4** de l'autre côté et placez le couvre-charnière et le cache-trou.



### Remplacement de l'éclairage



• Ce produit contient une source lumineuse de classe d'efficacité énergétique F. La lampe de ce produit peut uniquement être remplacée par un professionnel qualifié. Veuillez contacter le service après-vente si la lampe ne fonctionne plus. La lampe peut être enlevée à la fin de la vie utile du produit, et triée et recyclée séparément.



1. Veuillez débrancher la prise avant le retrait.



2. Retirez le cache de la lampe à l'aide d'un tournevis.

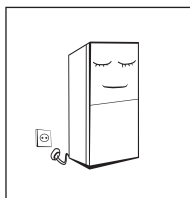


3. Abaissez le panneau de la lampe.

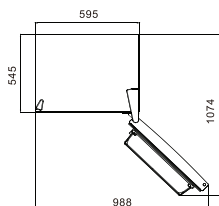


4. Retirez le terminal de connexion.

### Première utilisation



- Avant le démarrage initial de l'appareil, conservez-le immobile pendant 30 minutes avant de le brancher à l'alimentation électrique.
- Avant de placer des aliments frais ou surgelés dans l'appareil, il convient de le laisser fonctionner pendant 2 à 3 heures, ou plus de 4 heures en été lorsque la température ambiante est élevée.

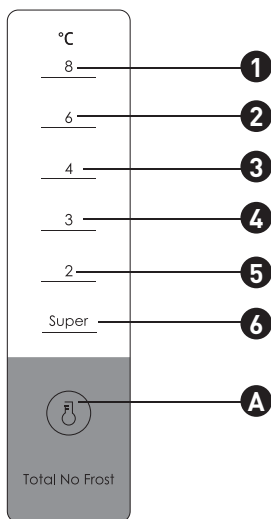


- Prévoyez suffisamment d'espace pour permettre une ouverture aisée des portes et des tiroirs ou suivez les indications du distributeur.

### Conseils d'économie d'énergie

- L'appareil doit être placé dans la zone la plus fraîche de la pièce, à l'abri de la lumière directe du soleil, et ne doit pas se trouver à proximité d'appareils produisant de la chaleur ou de conduits de chauffage.
- Laissez les aliments chauds refroidir à température ambiante avant de les ranger dans l'appareil. Si vous surchargez l'appareil, le compresseur devra fonctionner plus longtemps. Si les aliments sont congelés trop lentement, ils peuvent perdre en qualité ou même pourrir.
- Assurez-vous d'emballer les aliments correctement, et essayez les récipients de manière à ce qu'ils soient parfaitement secs avant de les placer dans l'appareil. Cela permet de limiter la formation de givre à l'intérieur de l'appareil.
- Les tiroirs de l'appareil ne doivent pas être recouverts de papier aluminium, de papier sulfurisé, ni d'essuie-tout. De tels revêtements entravent la circulation de l'air froid, ce qui diminue l'efficacité de l'appareil.
- Organisez et étiquetez les aliments, afin de limiter les ouvertures de porte et les recherches prolongées. Essayez de sortir en une seule fois les aliments dont vous avez besoin et refermez la porte dès que possible.

## Fonctions



(Le schéma ci-dessus est fourni à titre indicatif uniquement. La configuration réelle dépend du produit concerné ou des indications fournies par le distributeur).

### 1. Touche

**A**

Bouton de réglage de la température

### 2. Écran d'affichage

**1**

réglage de température 1

**2**

réglage de température 2

**3**

réglage de température 3

**4**

réglage de température 4

**5**

réglage de température 5

**6**

réglage de température 6

### 3. Affichage

- Lors de la mise sous tension du réfrigérateur, l'écran (et le témoin clé) s'illuminera totalement durant 3 secondes, puis le réfrigérateur fonctionnera au réglage de température 3.

- Affichage en fonctionnement normal
- En cas de panne, le voyant LED correspondant indique un code de panne (affichage en boucle) ;
- S'il n'y a pas de panne, le voyant LED indique le réglage de température actuel du réfrigérateur.

#### 4. Réglage de la température

- Le réglage de température change à chaque fois que vous appuyez sur la touche SET (RÉGLAGE). Le réfrigérateur fonctionnera à la température réglée au bout de 15 sec.

#### 5. Ajustement du clapet d'air manuel

- Tournez le clapet d'air vers le haut pour diminuer la température à l'intérieur du compartiment congélateur
- Tournez le clapet d'air vers le bas pour augmenter la température à l'intérieur du compartiment congélateur.

Réglage1 → Réglage2 → Réglage3 → Réglage4 → Réglage5 → Réglage6 → Réglage1 →...

FRIDGE-TEMP



Réglage du thermostat pour T°C ambiante : NORMALE ≈ +24°C (± 4°C) 4°C/COLDER

Réglage du thermostat pour T°C ambiante : FROIDE ≈ +16°C (± 4°C) 4°C/COLDER

Réglage du thermostat pour T°C ambiante : CHAUDE ≈ +32°C (± 4°C) 4°C/COLDER



### 6. Code d'erreur

Les avertissements suivants apparaîtront sur l'écran pour signaler les pannes correspondantes de l'appareil. Même s'il est possible que l'appareil puisse continuer à remplir ses fonctions de réfrigération et de congélation malgré les pannes ci-après, l'utilisateur doit contacter un réparateur spécialisé afin de s'assurer du fonctionnement normal de l'appareil.

Code d'erreur	Description de l'erreur
LED ❶ et LED ❷ allumées	Circuit de capteur de température du réfrigérateur
LED ❶ et LED ❸ allumées	Capteur de dégivrage du congélateur
LED ❶ et LED ❹ allumées	Capteur de température ambiante

#### REMARQUE :

La fonction congélation rapide est conçue pour conserver la valeur nutritionnelle de la nourriture dans le congélateur. Elle permet de congeler les aliments le plus rapidement possible. Si une grande quantité de nourriture est congelée en même temps, il est recommandé d'activer la fonction congélation rapide et de mettre la nourriture dans le congélateur. À ce moment, la vitesse de congélation du compartiment congélateur augmente, ce qui lui permet de congeler rapidement les aliments, de conserver leur valeur nutritionnelle et de faciliter le stockage.

## Maintenance et entretien de l'appareil

### Nettoyage général

- La poussière à l'arrière du réfrigérateur et au sol doit être nettoyée régulièrement pour améliorer les propriétés de refroidissement de l'appareil et économiser de l'énergie.
- Vérifiez régulièrement le joint de porte pour vous assurer de l'absence de corps étrangers. Nettoyez le joint de porte à l'aide d'un chiffon doux humidifié d'eau savonneuse ou de solution détergente diluée.
- L'intérieur du réfrigérateur doit également être nettoyé régulièrement afin d'éviter la formation d'odeurs.
- Avant tout nettoyage, coupez l'alimentation et retirez l'ensemble des aliments, boissons, clayettes et bacs qui se trouvent à l'intérieur de l'appareil.
- Pour nettoyer l'intérieur du réfrigérateur, utilisez un chiffon doux ou une éponge imbibé(e) de deux cuillères à soupe de bicarbonate de soude mélangées à un litre d'eau chaude. Rincez ensuite à l'eau claire et essuyez. Une fois le nettoyage effectué, ouvrez la porte et laissez sécher l'intérieur à l'air libre avant de remettre l'appareil sous tension.
- Pour les parties intérieures difficiles à nettoyer (comme les rainures, les espaces étroits ou les coins), il est recommandé de les essuyer régulièrement à l'aide d'un chiffon doux ou d'une brosse douce etc., et si nécessaire, d'utiliser d'autres

outils (par exemple des baguettes fines), afin d'éviter que des contaminants ou des bactéries ne s'y accumulent.

- N'utilisez pas de savon, de détergent, de poudre à récurer, ni de spray nettoyant, car ils pourraient générer des odeurs à l'intérieur du réfrigérateur ou contaminer la nourriture.
- Nettoyez le balconnet à bouteilles, les clayettes et les bacs à l'aide d'un chiffon doux humidifié d'eau savonneuse ou de solution détergente diluée. Séchez-les à l'aide d'un chiffon doux ou à l'air libre.
- Essuyez la surface extérieure du réfrigérateur à l'aide d'un chiffon doux humidifié d'eau savonneuse ou de détergent, puis séchez-la.
- N'utilisez pas de brosses dures, de tampons à récurer métalliques, de brosses métalliques, de produits abrasifs (comme du dentifrice), de solvants organiques (comme de l'alcool, de l'acétone, de l'huile de banane, etc.), d'eau bouillante, de substances acides ou alcalines pour nettoyer le réfrigérateur : ils risqueraient d'endommager la surface et l'intérieur de l'appareil. L'eau bouillante et les solvants organiques comme le benzène risquent de déformer ou d'endommager les pièces en plastique.
- Ne rincez pas l'appareil directement à l'eau, ni avec d'autres liquides afin d'éviter tout court-circuit ou d'endommager l'isolation électrique par immersion.

**AVERTISSEMENT :**

**Débranchez l'appareil avant de le dégivrer ou de le nettoyer.**

**Dégivrage**

• Ce réfrigérateur est conçu sur le principe de refroidissement par circulation d'air et dispose donc d'une fonction de dégivrage automatique. Le givre qui se forme en raison des changements de saison ou de température peut également être retiré manuellement, en débranchant l'appareil de l'alimentation électrique ou en l'essuyant avec un chiffon sec.

**Mise hors service**

• Panne de courant : En cas de panne de courant, même en été, les aliments à l'intérieur de l'appareil peuvent se conserver pendant plusieurs heures. Pendant ce temps, limitez le nombre d'ouvertures de la porte et n'ajoutez plus d'aliments frais dans l'appareil.

- Inutilisation prolongée : L'appareil doit être débranché, puis nettoyé. Les portes doivent ensuite être laissées ouvertes pour éviter la formation d'odeurs.
- Déplacement : Avant de déplacer l'appareil, videz-le de son contenu, fixez avec de l'adhésif les clayettes en verre, le bac à légumes, les bacs du compartiment de congélation etc., et resserrez les pieds de mise à niveau. Fermez les portes et fixez-les avec de l'adhésif. Lors du déplacement, l'appareil ne doit pas être posé à l'envers, placé en position horizontale, ni soumis à des vibrations. Pendant une telle opération, son inclinaison ne doit pas dépasser 45 °.

**AVERTISSEMENT :**

**Une fois démarré, l'appareil doit fonctionner en continu. En règle générale, le fonctionnement de l'appareil ne doit pas être interrompu, sans quoi cela pourrait réduire sa durée de vie.**

## Dépannage

Vous pouvez essayer de régler par vous-même les problèmes simples suivants. Si vous n'y parvenez pas, veuillez contacter le service après-vente.

L'appareil ne fonctionne pas	<ul style="list-style-type: none"> <li>• Vérifiez si l'appareil est branché à l'alimentation électrique et si la fiche est bien insérée dans la prise</li> <li>• Vérifiez que la tension n'est pas trop faible</li> <li>• Vérifiez qu'il n'y a pas de coupure de courant ou que des circuits partiels n'ont pas disjoncté</li> <li>• Les aliments dégageant une odeur forte doivent être bien emballés</li> </ul>
Odeurs	<ul style="list-style-type: none"> <li>• Vérifiez que l'appareil ne contient pas d'aliments avariés</li> <li>• Nettoyez l'intérieur de l'appareil</li> </ul>
Fonctionnement prolongé du compresseur	<ul style="list-style-type: none"> <li>• Le fonctionnement prolongé de l'appareil est normal en été, quand la température ambiante est élevée</li> <li>• Il est recommandé de ne pas conserver une trop grande quantité de nourriture dans l'appareil en même temps</li> <li>• Les aliments doivent refroidir avant d'être placés dans l'appareil</li> <li>• Les portes sont ouvertes trop fréquemment</li> </ul>
La lumière ne s'allume pas	<ul style="list-style-type: none"> <li>• Vérifiez si l'appareil est branché à l'alimentation électrique et si l'éclairage est endommagé</li> <li>• Faites remplacer la lampe par un spécialiste</li> </ul>
Les portes ne ferment pas correctement	<ul style="list-style-type: none"> <li>• La porte est bloquée par les emballages des aliments</li> <li>• L'appareil est incliné</li> </ul>
Bruits forts	<ul style="list-style-type: none"> <li>• Vérifiez si le sol est plat et si l'appareil est positionné de manière stable</li> <li>• Vérifiez si les accessoires sont placés au bon endroit</li> </ul>

Les joints de la porte ne sont pas hermétiques.

- Retirez les éventuels corps étrangers présents sur les joints de la porte
- Chauffez le joint de la porte, puis laissez-le refroidir et se remettre en place (vous pouvez utiliser un sèche-cheveux électrique ou une serviette chaude pour le chauffer)

Débordement du bac de récupération d'eau

- Une quantité trop importante de nourriture est placée dans l'appareil ou les aliments stockés contiennent trop d'eau, ce qui a entraîné un dégivrage important.
- Les portes ne sont pas fermées correctement, conduisant à la formation de givre, en raison de l'entrée d'air et de la présence d'une plus grande quantité d'eau liée au dégivrage.

L'extérieur de l'appareil est chaud

- La chaleur du condenseur intégré se dissipe par le châssis, ce qui est normal.
- Quand la surface devient chaude en raison d'une température ambiante élevée, d'un stock trop important d'aliments, prévoyez une bonne aération afin de faciliter la dissipation de la chaleur.

Condensation en surface

- La condensation sur la surface externe et les joints de porte du réfrigérateur est normale lorsque l'humidité ambiante est trop élevée. Il suffit d'essuyer la condensation avec un chiffon propre.

Bruits anormaux

- Bourdonnement : Il est possible que le compresseur bourdonne pendant son fonctionnement, et ces bruits sont particulièrement forts lors du démarrage ou de l'arrêt. Ce phénomène est normal.
- Craquements : Le fluide frigorigène circulant à l'intérieur de l'appareil peut émettre des craquements, ce qui est normal.





# Dank u!

Bedankt om dit VALBERG-product te kiezen.  
De producten van het merk VALBERG, die gekozen,  
getest en aanbevolen worden door ELECTRO DEPOT,  
zijn eenvoudig te gebruiken, betrouwbaar en van  
onberispelijke kwaliteit.  
Dankzij dit toestel kunt u er zeker van zijn dat u bij  
elk gebruik volledig tevreden bent.

Welkom bij ELECTRO DEPOT.

Bezoek onze website: [www.electrodepot.fr](http://www.electrodepot.fr)

**A**

**Voorbeeldweergave  
van het toestel**

Beschrijving van het toestel

**B**

**Het toestel gebruiken**

Juist gebruik van koelkasten  
Functies

**C**

**Nuttige informatie**

Onderhoud van de koelkasten  
Probleemoplossing

## Beschrijving van het toestel

1 ledverlichting

3 Lade

2 Legplank

4 Deurrekje

(Bovenstaande afbeelding is enkel ter referentie. De eigenlijke configuratie is afhankelijk van het product of de verklaring van de verdeler).

### Koelruimte

- De koelruimte is geschikt voor het opslaan van een verscheidenheid aan fruit, groenten, dranken en andere voeding die op korte termijn wordt geconsumeerd. De gesuggereerde bewaartermijn 3 tot 5 dagen.
- Gekookte voeding mag niet in de koelkamer worden geplaatst tot ze afgekoeld is tot kamertemperatuur.
- Het is aanbevolen om voeding in een afgesloten container te doen alvorens ze in de koelkast te plaatsen.
- De glazen legplanken kunnen hoger of lager geplaatst worden om een redelijke opslagruimte te bekomen die gemakkelijk kan worden gebruikt.

### Diepvriesruimte

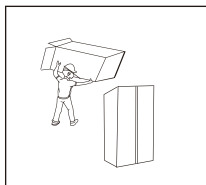
- Door de lage temperatuur in de diepvriesruimte kan voeding langer vers worden gehouden. Ze wordt vooral gebruikt voor het bewaren van diepgevroren voeding en voor het maken van ijs.
- De diepvrieskamer is geschikt voor het bewaren van vlees, vis, rijstballetjes en andere voeding die niet op korte termijn wordt geconsumeerd.
- Grote stukken vlees worden bij voorkeur in kleinere stukken verdeeld zodat ze snel invriezen en voor gemakkelijke toegang. Gelieve er rekening mee te houden dat voeding geconsumeerd moet worden binnen de bewaartermijn. De laden, de voedselbakken en de legplanken zijn het meest energiebesparend wanneer ze in de fabriek zijn geplaatst. Zie de bovenstaande afbeeldingen.

### OPMERKING:

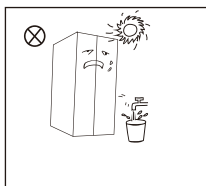
Het opslaan van te veel voeding tijdens de werking nadat de stekker voor het eerst in het stopcontact wordt gestopt kan een nadelige impact hebben op de diepvrieseffect van de koelkast.

## Juist gebruik van koelkasten

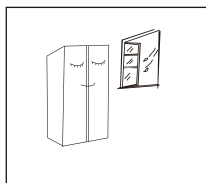
### Installatie



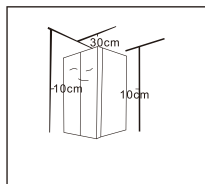
- Alvorens de koelkast te gebruiken, verwijder alle verpakkingsmaterialen, inclusief bodemkussens, piepschuim en kleefband binnenin de koelkast; verwijder de beschermende folie van de deuren en van de behuizing van de koelkast.



- Houd uit de buurt van warmte en vermijd rechtstreeks zonlicht. Installeer de diepvriezer niet in vochtige ruimten om roestvorming te voorkomen of de isolerende werking van het toestel te verminderen.
- Besproei of was de koelkast niet; plaats de koelkast niet in vochtige ruimten waar ze gemakkelijk bespat kan worden met water om de elektrische isolatie-eigenschappen van de koelkast niet te beïnvloeden.



- De koelkast moet in een goed geventileerde ruimte binnenshuis worden geïnstalleerd; de vloer moet vlak en stevig zijn (draai de wieltjes naar links of naar rechts om het toestel waterpas te zetten wanneer het onstabiel is).



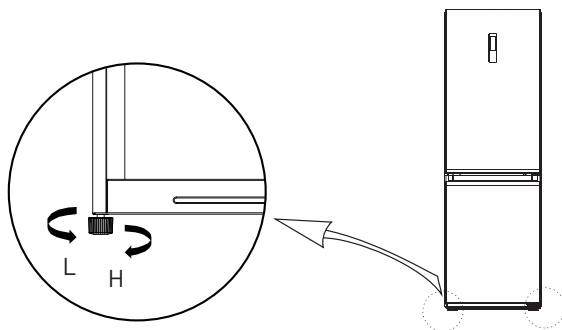
- De ruimte boven de koelkast moet groter zijn dan 30 cm en de koelkast moet tegen een muur worden geplaatst met een vrije afstand van meer dan 10 cm zodat warmte gemakkelijker kan worden afgevoerd.

### WAARSCHUWING:

Alvorens accessoires te installeren of aan te passen, zorg ervoor dat de stekker van de koelkast uit het stopcontact is gehaald. Er moeten voorzorgsmaatregelen worden getroffen om vallen van de hendel te voorkomen waardoor persoonlijke letsels kunnen ontstaan.

### Verstelvoeten

Schematisch diagram van de verstelvoeten



(De bovenstaande afbeelding is enkel ter referentie. De eigenlijke configuratie is afhankelijk van het product of de verklaring van de verdeler).

Aanpassingsprocedures:

- Draai de voeten in wijzerzin om de koelkast te verhogen;
- Draai de voeten in tegenwijzerzin om de koelkast te verlagen;
- Pas de rechter en linker voet op basis van de bovenstaande procedures aan naar een horizontaal niveau.

**Deur links-rechts veranderen****Lijst met gereedschap dat door de gebruiker voorzien dient te worden**

Kruiskopschroevendraaier

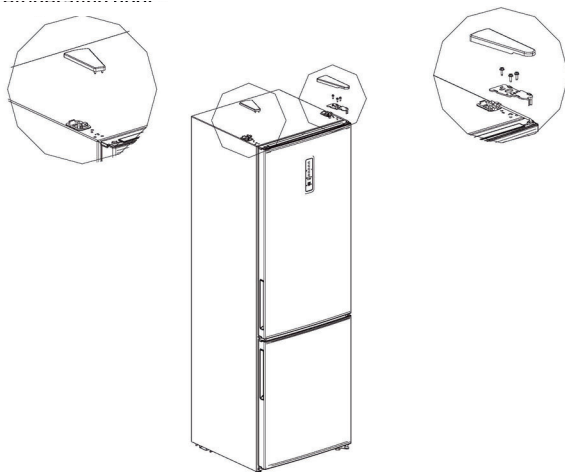


5/16" dopratelsleutel

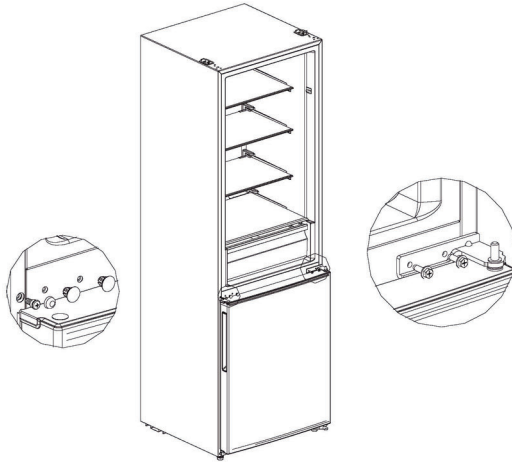
Plamuurmes  
platkopschroevendraaier

Afplaktape

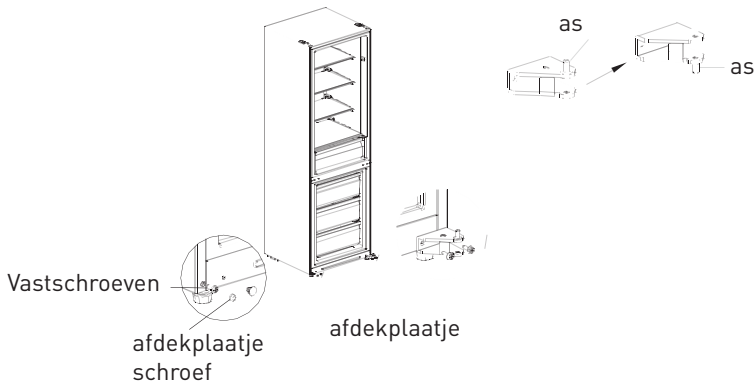
- Schakel de koelkast uit en verwijder alle voorwerpen uit de deurrekjes.
- Demonteer het deksel van de bovenste scharnier, de bovenste scharnier en het afdekplaatje van de andere kant en verwijder de koelkastdeur.



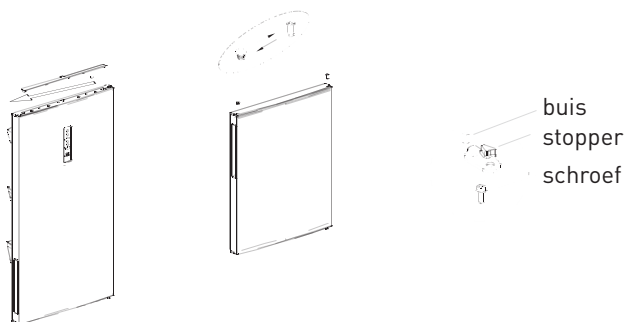
3. Demonteer de middelste scharnier, de schroeven, de afdekplaatjes van de schroeven en verwijder de diepvriezerdeur.



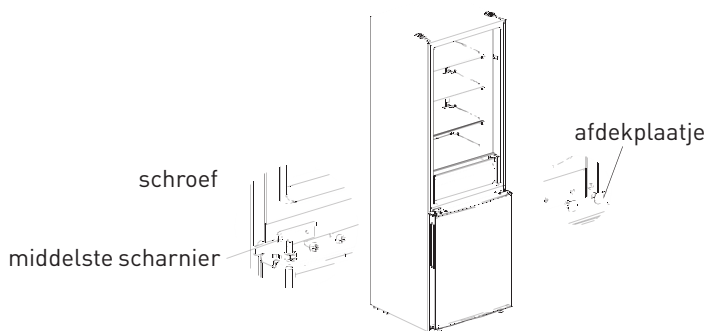
4. Demonteer de onderste scharnier, de afdekplaatjes en schroeven, installeer de onderste scharnieras en pas de voet aan de andere kant van de onderste scharnier aan. Installeer vervolgens de scharnier aan de andere kant.



5. Demonteer de schroeven, de wachtbuis en de stopper aan de onderkant van de behuizingen van de twee deuren en monteer ze opeenvolgend op de andere kant van de behuizingen van de deur (de stopper moet vervangen worden voor de extra tas). Verwijder vervolgens het bovenste deksel van de deur van de koelkast en vervang het draadharnas door een wachtbuis aan de andere kant van de behuizing van de deur. Monteer tot slot de wachtbuis van de bovenste scharnier op de deur van de koelkast in het gat aan de andere kant van het bovenste deksel van de deur van de koelkast.



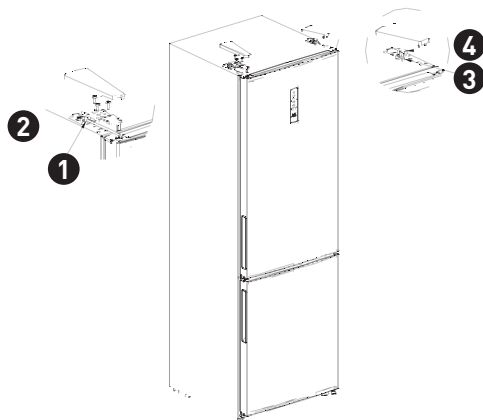
6. Plaats de diepvriezerdeur op de onderste scharnier, monteer de middelste scharnier de schroeven en de afdeekplaatjes van de schroefgaten.



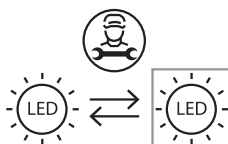
(Bovenstaande afbeelding is enkel ter referentie. De eigenlijke configuratie is afhankelijk van het product of de verklaring van de verdeler).

7. Plaats de behuizing van de deur voor het koelcompartiment op de middelste scharnier. Monteer vervolgens de bovenste scharnier op de andere kant van de kast. Verbind vervolgens de terminals **1**, **2** voor de signaaldraden aan de zijde van de bovenste scharnier en de terminals **3**, **4** op de andere kant en bedek het scharnierdeksel en de openingsafdekking.





## De lamp vervangen



• Dit product heeft een lichtbron van energie-efficiëntieklasse F. De lichtbron van dit product mag enkel vervangen worden door gekwalificeerde professionals. Gelieve contact op te nemen met de dienst na verkoop wanneer de lichtbron defect is. De lichtbron dient op het einde van de levensduur van het product te worden verwijderd, waarbij het sorteren en recycleren afzonderlijk gebeurt.



1. Trek eerst de stekker uit het stopcontact.



2. Verwijder het afdekplaatje van de lamp met een schroevendraaier.

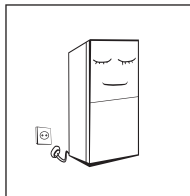


3. Verwijder het lamppaneel.

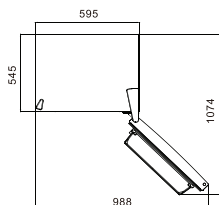


4. Verwijder de aansluitterminal.

### Het toestel beginnen gebruiken



- Alvorens de koelkast voor het eerst te gebruiken, houd de koelkast stil gedurende een half uur alvorens de stekker in het stopcontact te steken.
- Alvorens verse of diepgevroren voeding te plaatsen, moet de koelkast 2 tot 3 uur lang hebben gewerkt of in de zomer langer dan 4 uur wanneer de omgevingstemperatuur hoog is.

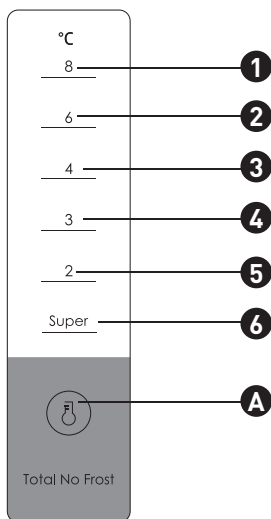


- Voorzie voldoende ruimte om de deuren en laden gemakkelijk te kunnen openen of verklaring van de verdeler.

### Tips om energie te besparen

- Het toestel moet in de koelste ruimte van de kamer worden geplaatst, verwijderd van toestellen die warmte genereren of verwarmingskanalen en mag niet in rechtstreeks zonlicht staan.
- Laat hete voedingswaren afkoelen tot kamertemperatuur alvorens ze in het toestel te plaatsen. Wanneer het toestel te vol wordt geladen, zal de compressor gedwongen zijn langer te werken. Voedingswaren die te langzaam worden diepgevroren kunnen hun kwaliteit verliezen of bederven.
- Zorg ervoor dat voedingswaren naar behoren worden verpakt en wrijf containers droog alvorens ze in het toestel te plaatsen. Zo vermindert de opbouw van rijp binnen in het toestel.
- De opslaglade van het toestel mag niet afgedekt worden met aluminiumfolie, vetvrij papier of keukenpapier. Afdekmaterialen hinderen de circulatie van koude lucht waardoor het toestel minder efficiënt wordt.
- Organiseer de voedingswaren en kleef er etiketten op om het aantal keren dat de deuren worden geopend, wordt vermindert en om te vermijden dat lang moet worden gezocht. Verwijder in één keer zo veel artikelen als nodig en sluit de deur zo snel mogelijk.

## Functies



(Bovenstaande afbeelding is enkel ter referentie. De eigenlijke configuratie is afhankelijk van het product of de verklaring van de verdeler).

### 1. Sleutel

**A**

Knop voor het instellen van de temperatuur

### 2. Weergavescherm

**1**

temperatuurinstelling 1

**2**

temperatuurinstelling 2

**3**

temperatuurinstelling 3

**4**

temperatuurinstelling 4

**5**

temperatuurinstelling 5

**6**

temperatuurinstelling 6

### 3. Display

- Wanneer de koelkast wordt ingeschakeld, zal het weergavescherm (inclusief het lampje van de sleutel) 3 seconden lang volledig branden. Vervolgens zal de koelkast werken volgens temperatuurinstelling 3.

- Weergave van normale werking

- Wanneer er zich een fout voordoet, zal het overeenkomstige ledlampje een gecombineerde weergave van de foutcode vertonen (in recyclageweergave);

- Wanneer er geen fout is, zal het ledlampje de bestaande temperatuurinstelling weergeven.

### 4. Instellen van de snelheid

- De temperatuurinstelling zal wijzigen telkens wanneer u op de knop SET drukt. Zal de koelkast na 15 seconden werken volgens de nieuw ingestelde waarde.

### 5. Aanpassing van de manuele luchtverdampknop

- Draai de slider van de luchtverdamer naar boven. De daadwerkelijke temperatuur in de diepvriesruimte zal dalen,

- Draai de slider van de luchtverdamer naar beneden. De daadwerkelijke temperatuur in de diepvriesruimte zal stijgen.

Instelling1 → Instelling2 → Instelling3 → Instelling4 → Instelling5 → Instelling6 → Instelling1 →...

FRIDGE-TEMP



Thermostaatinstelling voor ambient T ° C : NORMAAL ≈ +24°C (± 4°C)      4°C/COLDER

Thermostaatinstelling voor ambient T ° C : KOUD ≈ +16°C (± 4°C)      4°C/COLDER

Thermostaatinstelling voor ambient T ° C : HEET ≈ +32°C (± 4°C)      4°C/COLDER

### 6. Foutcode

De volgende waarschuwingen die op het weergavescherm verschijnen geven de overeenkomstige fouten van de koelkast aan. Hoewel de koelkast nog steeds dezelfde koel- en diepvriesfunctie kan hebben met de volgende fouten, zal de gebruiker contact opnemen met een onderhoudsspecialist om een normaal gebruik van de koelkast te waarborgen.

Foutcode	Foutomschrijving
De ledlamp ❶ en ❷ branden	Temperatuursensorcircuit van de koelkast
De ledlamp ❶ en ❸ branden	Ontdooisensor van de diepvriezer
De ledlamp ❶ en ❹ branden	Omgevingstemperatuursensor

#### OPMERKING:

De snelinvriesfunctie is speciaal ontwikkeld om de voedingswaarde van de voeding in de diepvriezer te behouden. Hiermee kan de voeding in de kortst mogelijke tijd worden ingevroren. Wanneer tezelfdertijd een grote hoeveelheid voeding wordt ingevroren, is het aanbevolen dat de gebruiker de snelinvriesfunctie aanzet en de voeding in de diepvriezer plaatst. Op dat moment wordt de invriessnelheid van het diepvriescompartiment verhoogd, waardoor de voeding snel kan worden ingevroren, de voedingswaarde van de voeding effectief kan worden behouden en het opslaan wordt vergemakkelijkt.

## Onderhoud van de koelkasten

### Globale reiniging

- Stof achter de koelkast en op de grond moet tijdig worden verwijderd om het koeleffect te verbeteren en energie te besparen.
- Controleer regelmatig de pakking van de deur om er zeker van te zijn dat er geen vuil aanwezig is. Reinig de pakking van de deur met een zachte doek die vochtig is gemaakt met zeepwater of met verdund reinigingsmiddel.
- De binnenkant van de koelkast moet regelmatig worden gereinigd om geurtjes te vermijden.
- Schakel het toestel uit en verwijder alle voedingswaren, dranken, legplanken, lades, enz. alvorens de binnenkant te reinigen
- Gebruik een zachte doek of spons met twee eetlepels zuiveringszout en een kwart warm water om de binnenkant van de koelkast te reinigen. Spoel vervolgens met water en wrijf proper. Na het reinigen, open de deur en laat op natuurlijke wijze drogen alvorens het toestel opnieuw in te schakelen.
- Voor gebieden in de koelkast die moeilijk te reinigen zijn (zoals smalle gleuven, kloven of hoeken) is het aanbevolen om ze regelmatig af te wrijven met een zachte vod, een zachte borstel enz. en indien nodig gecombineerd met

enkele hulpinstrumenten (zoals dunne stokjes) om ervoor te zorgen dat zich geen vuil of bacteriën in deze gebieden ophopen.

- Gebruik geen zeep, detergent, schuurpoeder, sprayreiniger, enz., aangezien deze geurtjes binnen in de koelkast kunnen veroorzaken of voeding kunnen besmetten.
- Reinig het flessenrek, de legplanken en de lades met een zachte doek bevochtigd met zeepwater of verdund reinigingsmiddel. Droog af met een zachte doek of laat op natuurlijke wijze drogen.
- Wrijf het buitenoppervlak van de koelkast af met een zachte doek bevochtigd met zeepwater, reinigingsmiddel, enz. en wrijf vervolgens droog.
- Gebruik geen harde borstels, stalen schoonmaakballen, draadborstels, schuurmiddelen (zoals tandpasta), organische oplosmiddelen (zoals alcohol, aceton, bananenolie, enz.), kokend water, zuur of alkaline die het oppervlak van de koelkast en de binnenkant kunnen beschadigen. Kokend water of organische oplosmiddelen, zoals benzeen, kunnen kunststof onderdelen vervormen of beschadigen.
- Spoel niet rechtstreeks af met water of andere vloeistoffen tijdens het reinigen om kortsluitingen te vermijden of te voorkomen dat de elektrische isolatie na onderdompeling wordt beïnvloed.

**WAARSCHUWING:**

Voor het ontdooien of reinigen, zorg ervoor dat de stekker van de koelkast uit het stopcontact is getrokken.

**Ontdooien**

- De koelkast is vervaardigd op basis van het luchtkoelingsprincipe en is bijgevolg voorzien van de automatische ontdooifunctie. Rijp die zich heeft gevormd als gevolg van een verandering van seizoen of temperatuur kan ook manueel worden verwijderd door de stekker van het toestel uit het stopcontact te trekken of door het af te wrijven met een droge handdoek.

**Het toestel werkt niet**

- Stroompanne: In geval van stroompanne, zelfs in de zomer, kan voeding in het toestel nog verschillende uren lang worden bewaard; tijdens de stroompanne moet het aantal keren dat de deur wordt geopend, worden verminderd en mag geen verse voeding in het toestel worden geplaatst.



- Het toestel wordt lange tijd niet gebruikt: De stekker van het toestel moet uit het stopcontact worden gehaald en vervolgens moet het toestel worden gereinigd; Laat de deuren open staan om geurtjes te voorkomen.
- Het toestel verplaatsen: Alvorens de koelkast te verplaatsen, verwijder alle voorwerpen die erin zitten, bevestig de glazen tussenschotten, de groentelade, de lades in de diepvriesruimte enz. met kleefband en draai de verstelvoetjes vast; sluit de deuren en verzegel ze met kleefband. Tijdens het verplaatsen mag het toestel niet onderste boven of horizontaal worden gelegd of mag het niet trillen; de hellingshoek tijdens het verplaatsen mag niet meer bedragen dan 45°.

**WAARSCHUWING:**

Het toestel moet blijven werken eenmaal het is ingeschakeld. Over het algemeen mag de werking van het toestel niet worden onderbroken; zo niet kan dit een nadelige invloed hebben op de levensduur

## Probleemoplossing

U kunt proberen om de volgende eenvoudige problemen zelf op te lossen. Indien ze niet kunnen worden opgelost, gelieve dan contact op te nemen met de dienst na verkoop.

Slechte werking	<ul style="list-style-type: none"> <li>• Controleer of het toestel ingeschakeld is en of de stekker goed in het stopcontact zit</li> <li>• Controleer of het voltage niet te laag is</li> <li>• Controleer of er geen kortsluiting is en of er circuits geactiveerd zijn geweest</li> <li>• Sterk geurende voeding moet goed worden ingepakt</li> </ul>
Geurtjes	<ul style="list-style-type: none"> <li>• Controleer of er geen rottende voeding aanwezig is</li> <li>• Reinig de binnenkant van de koelkast</li> </ul>
De compressor werkt lang	<ul style="list-style-type: none"> <li>• In de zomer is het normaal dat de koelkast lang werkt wanneer de omgevingstemperatuur hoog is</li> <li>• Het wordt niet aanbevolen om te veel voeding tezelfdertijd in de koelkast te bewaren</li> <li>• Voeding moet afgekoeld worden alvorens ze in het toestel wordt geplaatst</li> <li>• De deuren worden te vaak geopend</li> </ul>
Het lampje brandt niet	<ul style="list-style-type: none"> <li>• Controleer of de stekker van de koelkast in het stopcontact zit en of het lampje niet beschadigd is</li> <li>• Laat het lampje vervangen door een specialist</li> </ul>
De deuren kunnen niet naar behoren worden gesloten	<ul style="list-style-type: none"> <li>• Er zitten voedselpakketten tussen de deur</li> <li>• De koelkast kantelt</li> </ul>
Luid lawaai	<ul style="list-style-type: none"> <li>• Controleer of de vloer vlak is en of de koelkast stabiel staat</li> <li>• Controleer of de accessoires op de juiste plaats zijn geïnstalleerd</li> </ul>

De deur dicht niet volledig af

- Verwijder vreemde voorwerpen van de deurdichting
- Verwarm de deurdichting en laat ze vervolgens afkoelen om zich te herstellen (of blaas erop met een haardroger of gebruik een warme handdoek om ze te verwarmen)

De waterpan stroomt over

- Er zit te veel voeding in de koelruimte of de opgeslagen voeding bevat te veel water waardoor het toestel sterk moet ontdooien.

- De deuren zijn niet goed gesloten, waardoor rijp ontstaat als gevolg van de instroom van lucht en meer water als gevolg van het ontdooien.

De behuizing is warm

- Via de behuizing ontsnapt er warmte die opgebouwd wordt in de condensator, wat normaal is

- Wanneer de behuizing warm wordt als gevolg van een hoge omgevingstemperatuur, of het opslaan van te veel voeding zorg dan voor een goede ventilatie waardoor warmte gemakkelijker kan ontsnappen.

Condensvorming op het oppervlak

- Condensvorming op het buitenoppervlak en deurdichtingen van de koelkast is normaal wanneer de omgevingstemperatuur te hoog is. Wrijf gewoon het condens weg met een propere handdoek.

Abnormaal lawaai

- Gezoem: De compressor kan tijdens de werking zoemen en het gezoem is luid vooral bij het starten en het stoppen. Dit is normaal.

- Gekraak: De koelvloeistof die in het toestel stroomt, kan gekraak produceren, wat normaal is.



# ¡Gracias!

Gracias por elegir este producto VALBERG. Seleccionados, probados y recomendados por ELECTRO DEPOT, los productos de la marca VALBERG son fáciles de usar, fiables y de un acabado impecable. Gracias a este aparato, puede estar seguro de que cada uso le proporcionará satisfacción.

Bienvenido a ELECTRO DEPOT.

Visite nuestra página web: [www.electrodepot.fr](http://www.electrodepot.fr)

**A**

**Vista previa del  
aparato**

Descripción del aparato

**B**

**Uso del aparato**

Uso correcto de los frigoríficos  
Funciones

**C**

**Información útil**

Mantenimiento y cuidado del frigorífico  
Resolución de problemas

## Descripción del aparato

1 Iluminación LED

3 Cajón

2 Bandeja

4 Bandeja de la puerta

{La imagen anterior es solo para referencia. La configuración real dependerá del producto físico o la declaración del distribuidor}

### Compartimento del frigorífico

- El compartimento del frigorífico es adecuado para almacenar diversos tipos de fruta, verdura, bebidas y otros alimentos que se vayan a consumir a corto plazo; el tiempo de conservación recomendado es de 3 a 5 días.
- Los alimentos cocinados no se deben introducir en el compartimento del frigorífico hasta que se hayan enfriado y hayan alcanzado la temperatura ambiente.
- Se recomienda que los alimentos se envasen antes de introducirlos en el frigorífico.
- Las bandejas de cristal se pueden subir o bajar para conseguir suficiente espacio de almacenamiento y facilitar su uso.

### Compartimento del congelador

- El compartimento del congelador de baja temperatura puede mantener los alimentos frescos durante mucho tiempo y se utiliza principalmente para conservar alimentos congelados y elaborar hielo.
- El compartimento del congelador es adecuado para conservar carne, pescado, bolas de arroz y otros alimentos que no se vayan a consumir a corto plazo.
- Es preferible cortar la carne en trozos pequeños para que se congele rápidamente y facilitar el acceso. Tenga en cuenta que los alimentos se deben consumir antes de que caduquen.

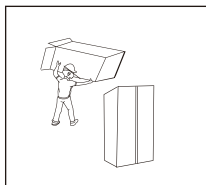
Los cajones, la caja de los alimentos y los estantes son los que más ahorran energía cuando vienen colocados de fábrica. Consulte las imágenes más arriba.

### NOTA:

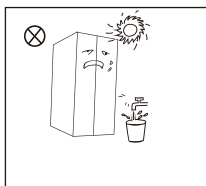
si almacena demasiados alimentos después de la primera conexión a la corriente, el efecto de congelación del frigorífico se podría ver afectado.

## Uso correcto de los frigoríficos

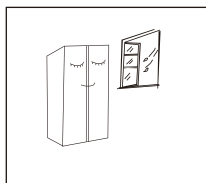
### Colocación



- Antes de usar el aparato, retire todo el material de embalaje, incluidas las amortiguadores de la parte inferior, las almohadillas de espuma y las cintas del interior del frigorífico; retire la película de protección de las puertas y del cuerpo del frigorífico.

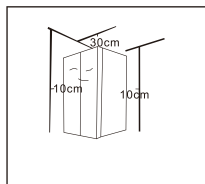


- Mantenga el aparato alejado del calor y evite la luz directa del sol. No coloque el congelador en un lugar húmedo o con agua, para prevenir la formación de óxido o que se reduzca el efecto aislante.
- No rocíe con agua ni lave el frigorífico; no coloque el frigorífico en lugares húmedos en los que pueda haber salpicaduras de agua, con el fin de que no se vean afectadas las propiedades de aislamiento eléctrico del frigorífico.



- El frigorífico debe colocarse en un lugar interior con buena ventilación; el suelo debe ser plano y resistente (gire las ruedas a la izquierda o a la derecha para ajustarlas y nivelarlo si no quedara estable).





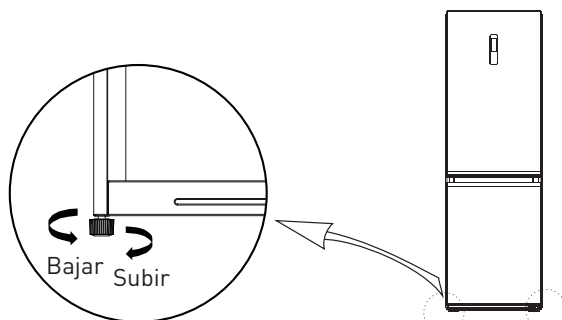
- El espacio superior del frigorífico debe ser superior a 30 cm y el frigorífico debe quedar colocado contra una pared, con una separación de más de 10 cm, para facilitar la disipación del calor.

### ADVERTENCIA:

Antes de instalar o ajustar los accesorios, debe asegurarse de que el frigorífico esté desconectado de la corriente. Debe tomar precauciones para evitar que la caída del tirador provoque lesiones personales.

### Patas niveladoras

Diagrama esquemático de las patas de nivelación



(La imagen anterior es solo para referencia. La configuración real dependerá del producto físico o de la declaración del distribuidor).

### Procedimientos de ajuste:

- Gire las patas en sentido horario para levantar el frigorífico.
- Gire las patas en sentido antihorario para bajar el frigorífico.
- Ajuste las patas derecha e izquierda siguiendo los procedimientos mencionados, hasta que el aparato quede nivelado horizontalmente.

**Cambio del sentido de apertura de la puerta derecha-izquierda****Lista de herramientas necesarias**

Destornillador de estrella



Llave de tubo con trinquete de 5/16"

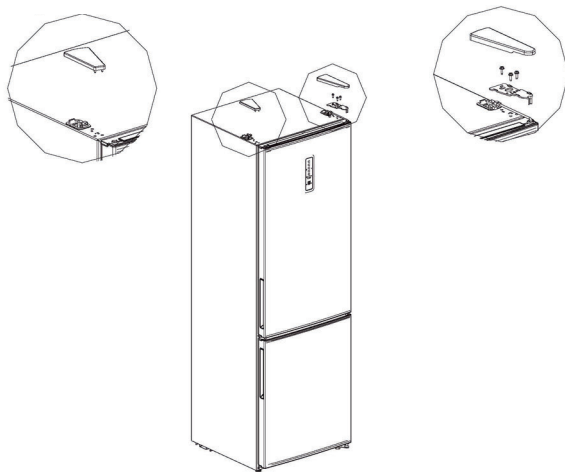


Espátula fina y destornillador

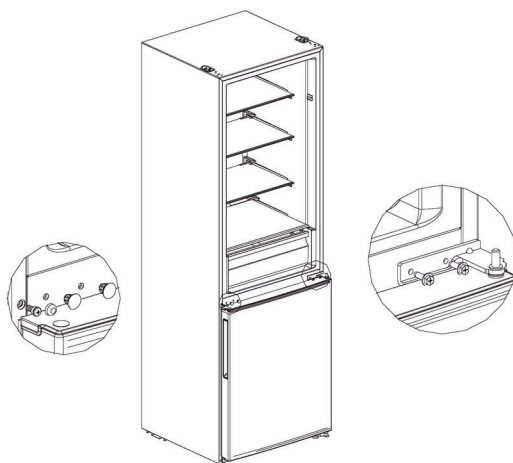


Cinta adhesiva

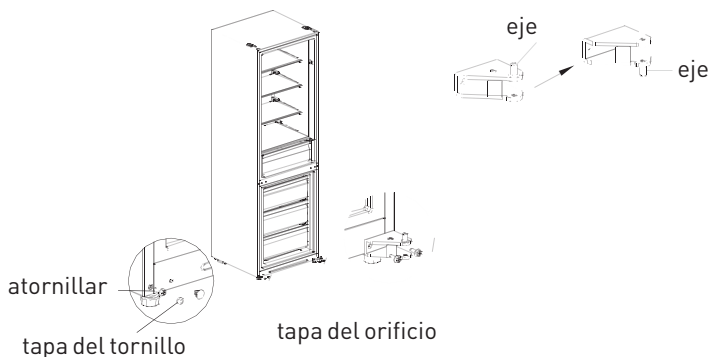
1. Apague el frigorífico y retire todos los objetos de las bandejas de la puerta.
2. Desmonte la cubierta de la bisagra superior, desconecte los cables de la señal, la bisagra superior y la tapa del orificio del otro lado y retire la puerta del frigorífico.



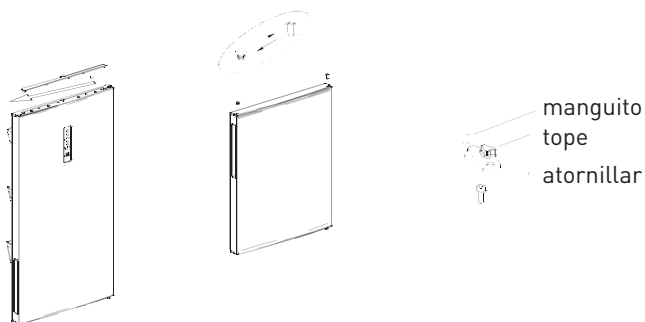
3. Desmonte la bisagra central, los tornillos y las tapas de los orificios de los tornillos, y quite la puerta del congelador.



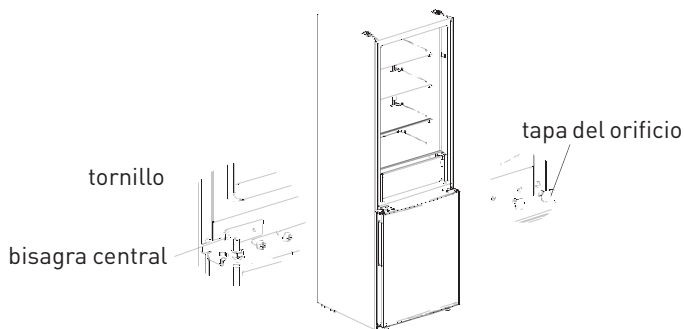
4. Desmonte la bisagra inferior, las tapas de los orificios y los tornillos. Instale el eje de la bisagra inferior en el otro lado de la bisagra inferior y a continuación, instale la bisagra en el otro lado.



5. Desmonte los tornillos, el tubo del manguito y el tope de la tapa del extremo inferior de los dos bloques de las puertas e instálelos sucesivamente en el otro lado de los bloques de las puertas (el tope debe reemplazarse por el de la bolsa adicional). Luego, retire la tapa del extremo superior de la puerta del frigorífico y cambie el haz de cables con un tubo de manguito al otro lado del bloque de la puerta. Finalmente, instale el tubo del manguito de la bisagra superior de la puerta del frigorífico en el orificio del otro lado de la tapa del extremo superior de la puerta del frigorífico.

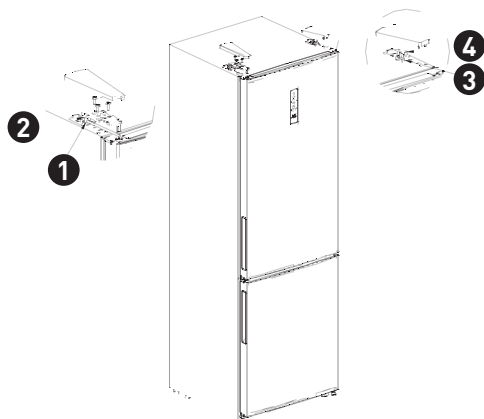


6. Coloque la puerta del congelador en la bisagra inferior e instale la bisagra central, los tornillos y las tapas de los orificios de los tornillos.

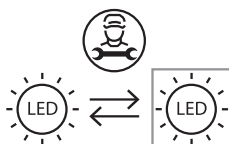


(La imagen anterior es solo para referencia. La configuración real dependerá del producto físico o de la declaración del distribuidor).

7. Coloque el bloque de la puerta del compartimiento del frigorífico en la bisagra central, luego instale la bisagra superior en el otro lado del aparato y finalmente conecte los terminales **1** y **2** para los cables de señal en el lado de la bisagra superior y los terminales **3** y **4** en el otro lado y cubra la tapa de la bisagra y la tapa del orificio.



### Cambiar la luz



• Este producto contiene una fuente de luz de clase de eficiencia energética F. La fuente de luz de este producto solo puede ser reemplazada por profesionales calificados. Póngase en contacto con el servicio posventa si falla la fuente de luz. La fuente de luz se retirará al final de la vida útil del producto para efectuar la clasificación y el reciclaje por separado.



1. Tire del enchufe antes de retirarlo.



2. Retire la pantalla de la lámpara con un destornillador.

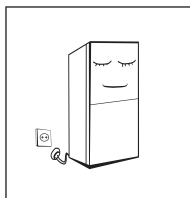


3. Retire el panel de la lámpara.

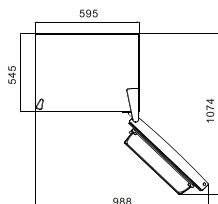


4. Retire el terminal de conexión.

### Uso del aparato por primera vez



- Antes del primer uso, no mueva el frigorífico durante media hora, antes de conectarlo a la alimentación eléctrica.
- Antes de introducir alimentos frescos o congelados, el frigorífico debe funcionar durante 2-3 horas, o durante más de 4 horas en verano, cuando la temperatura ambiente es alta.

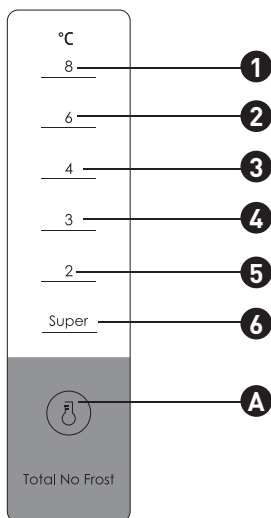


- Deje suficiente espacio para poder abrir cómodamente las puertas y los cajones, o según lo indique el distribuidor.

### Sugerencias para ahorrar energía

- El aparato se debe colocar en la zona más fresca de la habitación, lejos de otros aparatos que generen calor y de conductos de calefacción, y alejado de la luz directa del sol.
- Los alimentos calientes se deben enfriar hasta alcanzar la temperatura ambiente antes de introducirlos en el aparato. Si sobrecarga el aparato, el compresor tendrá que funcionar durante más tiempo. Los alimentos que se congelan demasiado lentamente podrían perder calidad o estropearse.
- Asegúrese de envolver los alimentos correctamente y seque bien los recipientes antes de introducirlos en el aparato. Así reducirá la acumulación de escarcha en el interior del aparato.
- El cajón de almacenamiento del aparato no se debe cubrir con papel de aluminio, papel encerado ni servilletas de papel. Los recubrimientos interfieren en la circulación del aire, lo que reduce la eficiencia del aparato.
- Organice y etiquete los alimentos para reducir las aperturas de la puerta y tener que pasar demasiado tiempo buscándolos. Retire todos los artículos que necesite de una vez y cierre la puerta lo antes posible.

## Funciones



(La imagen anterior es solo para referencia. La configuración real dependerá del producto físico o de la declaración del distribuidor).

### 1. Tecla

**A** Botón de ajuste de temperatura

### 2. Pantalla de visualización

**1** ajuste de temperatura 1

**2** ajuste de temperatura 2

**3** ajuste de temperatura 3

**4** ajuste de temperatura 4

**5** ajuste de temperatura 5

**6** ajuste de temperatura 6

### 3. Pantalla

- Cuando se enciende el frigorífico, la pantalla (incluida la luz de las teclas) se encenderá por completo durante 3 segundos; luego, el frigorífico funcionará con el ajuste de temperatura 3.
- Pantalla con un funcionamiento normal
- Si se produce una avería, la luz led correspondiente presentará una combinación de códigos de error (en la pantalla de reciclaje).
- Si no hay ninguna avería, la luz led indicará el ajuste de temperatura existente.

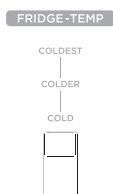
### 4. Valores de funcionamiento

- El ajuste de la temperatura se modificará cada vez que pulse la tecla SET. El frigorífico funcionará con el nuevo valor después de 15 segundos.

### 5. Ajuste del botón de la compuerta de aire manual

- Gire el control deslizante de la compuerta de aire hacia arriba, la temperatura real dentro del compartimento del frigorífico descenderá.
- Gire el control deslizante de la compuerta de aire hacia abajo, la temperatura real dentro del compartimento del frigorífico aumentará.

Ajuste1 → Ajuste2 → Ajuste3 → Ajuste4 → Ajuste5 → Ajuste6 → Ajuste1 →...



Ajuste del termostato para T°C ambiente : NORMAL ≈ +24°C ( ± 4°C)      4°C/COLDER

Ajuste del termostato para T°C ambiente : FRIO ≈ +16°C ( ± 4°C)      4°C/COLDER

Ajuste del termostato para T°C ambiente : CALIENTE ≈ +32°C ( ± 4°C)      4°C/COLDER



### 6. Código de error

Las siguientes advertencias aparecerán en la pantalla para indicar las averías correspondientes del frigorífico. Aunque es posible que el frigorífico siga enfriando y congelando con las averías siguientes, el usuario debe contactar con un técnico de mantenimiento, de forma que se garantice el uso normal del frigorífico.

Código de avería	Descripción de la avería
El led <b>1</b> y el led <b>2</b> se encienden	Circuito del sensor de temperatura del frigorífico
El led <b>1</b> y el led <b>3</b> se encienden	Sensor de descongelación del congelador
El led <b>1</b> y el led <b>4</b> se encienden	Sensor de temperatura ambiente

#### NOTA:

La función de congelación rápida está diseñada para mantener el valor nutricional de los alimentos en el congelador. Puede congelar la comida en el menor tiempo. Si se congela una gran cantidad de alimentos a la vez, se recomienda activar la función de congelación rápida e introducir los alimentos. En este momento, la velocidad de congelación del compartimento del congelador aumenta, lo que puede congelar rápidamente alimentos, bloquear eficazmente el valor nutricional de estos y facilitar el almacenamiento.

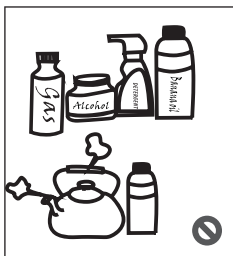
## Mantenimiento y cuidado del frigorífico

### Limpieza general

- El polvo que se acumula detrás del frigorífico y en el suelo se debe limpiar periódicamente para mejorar el efecto de refrigeración y el ahorro energético.
- Compruebe la junta de la puerta periódicamente para asegurarse de que no haya restos. Limpie la junta de la puerta con un paño suave humedecido con agua y jabón o con un detergente diluido.
- El interior del frigorífico se debe limpiar periódicamente para evitar olores.
- Desconecte la corriente eléctrica antes de limpiar el interior y retire todos los alimentos, bebidas, bandejas, cajones, etc.
- Utilice un paño suave o una esponja para limpiar el interior del frigorífico con dos cucharadas de bicarbonato sódico y un litro de agua caliente. A continuación, enjuague con agua y frote para dejar limpio el aparato. Después de limpiar, abra la puerta y deje que se seque naturalmente antes de volver a conectar la corriente eléctrica.
- En las zonas del frigorífico que resulte difícil limpiar (por ejemplo, rendijas estrechas, huecos o esquinas), se recomienda frotarlas periódicamente con un paño suave, un cepillo suave, etc., y si es necesario, usar otras herramientas

auxiliares (por ejemplo, unos palillos) para asegurarse de que no se acumulen sustancias contaminantes o bacterias en esas zonas.

- No use jabón, detergente, limpiador en polvo, aerosoles, etc., ya que pueden causar olores en el interior del frigorífico o contaminar los alimentos.
- Limpie la estructura para botellas, las bandejas y los cajones con un paño suave humedecido con agua con jabón o detergente diluido. Seque con un paño suave o deje que se sequen naturalmente.
- Frote la superficie exterior del frigorífico con un paño suave humedecido con agua con jabón, detergente, etc., y luego frote con un paño para secar la superficie.
- No utilice cepillos rígidos, estropajos de acero, cepillos metálicos, productos abrasivos (por ejemplo, pasta de dientes), disolventes orgánicos (por ejemplo, alcohol, acetona, aceite de plátano, etc.), agua hirviendo o sustancias ácidas o alcalinas, que puedan dañar la superficie del frigorífico y su interior. El agua hirviendo y los disolventes orgánicos, como el benceno, pueden deformar o dañar las piezas de plástico.
- No enjuague directamente con agua u otros líquidos cuando limpie, para evitar cortocircuitos o que se vea afectado el aislamiento eléctrico después de sumergirlo.

**ADVERTENCIA:****Desenchufe el frigorífico para descongelar y limpiar.****Descongelación**

- El frigorífico funciona de acuerdo con el principio de refrigeración por aire y, por lo tanto, tiene una función de descongelación automática. La escarcha que se forma debido al cambio de estación o de temperatura también se puede eliminar desconectando el aparato de la corriente eléctrica o frotando con un paño seco.

**Funcionamiento incorrecto**

- Corte eléctrico: en caso de corte eléctrico, aunque sea verano, los alimentos que se encuentran dentro del aparato se pueden conservar durante varias horas. Durante el corte eléctrico se deben reducir las aperturas de la puerta y no se deben introducir más alimentos en el aparato.
- El aparato no se va a usar durante mucho tiempo: el aparato se debe desenchufar y luego limpiar; las puertas se deben dejar abiertas para evitar olores.

- **Desplazamiento:** antes de mover el frigorífico, saque todos los objetos del interior, sujete con cinta adhesiva las bandejas de cristal, el cajón para las verduras, los cajones del congelador, etc., y apriete las patas de nivelación. Cierre las puertas y sujételas con cinta adhesiva. Al desplazar el aparato, no debe tumbarlo ni ponerlo al revés, ni debe provocar vibraciones. La inclinación durante el desplazamiento no debe superar los 45°.

**ADVERTENCIA:**

**El aparato debe funcionar de forma continua una vez se ponga en marcha. Por lo general, no se debe interrumpir el funcionamiento del aparato; de lo contrario, su vida útil podría reducirse**

## Resolución de problemas

Puede intentar solucionar usted mismo los problemas sencillos siguientes. Si no puede solucionarlos, contacte con el departamento posventa.

Fallo de funcionamiento	<ul style="list-style-type: none"> <li>• Compruebe si el aparato está conectado a la corriente eléctrica o si el enchufe está bien introducido en la toma</li> <li>• Compruebe si el voltaje es demasiado bajo</li> <li>• Compruebe si se ha producido un corte eléctrico o si se han disparado circuitos parciales</li> </ul>
Olores	<ul style="list-style-type: none"> <li>• Los alimentos que huelen mucho se deben envolver bien</li> <li>• Compruebe si hay otros alimentos que se hayan estropeado</li> <li>• Limpie el interior del frigorífico</li> </ul>
Funcionamiento prolongado del compresor	<ul style="list-style-type: none"> <li>• El funcionamiento prolongado del compresor es normal en verano, cuando la temperatura ambiente es alta</li> <li>• Le recomendamos que no guarde demasiados alimentos en el aparato al mismo tiempo</li> <li>• Los alimentos deben enfriarse antes de introducirlos en el aparato</li> <li>• Las puertas se abren con demasiada frecuencia</li> </ul>
La luz no se enciende	<ul style="list-style-type: none"> <li>• Compruebe si el frigorífico está conectado a la corriente eléctrica y si la luz está dañada</li> <li>• Contacte con un especialista para que cambie la bombilla</li> </ul>
Las puertas no se pueden cerrar bien	<ul style="list-style-type: none"> <li>• La puerta no se cierra debido a los envases de alimentos</li> <li>• El frigorífico está inclinado</li> </ul>
Ruido fuerte	<ul style="list-style-type: none"> <li>• Compruebe si el suelo está nivelado y si el frigorífico está estable</li> <li>• Compruebe si los accesorios se encuentran en el lugar correcto</li> </ul>

La junta de la puerta no queda hermética

- Retire los materiales extraños de la junta de la puerta
- Caliente la junta de la puerta y luego deje que se enfríe para restaurarla (también puede secarla con un secador eléctrico o calentarla con un paño caliente)

La bandeja de agua se desborda

- Hay demasiados alimentos en el aparato o los alimentos guardados contienen demasiada agua, lo que provoca descongelación.

- Las puertas no están bien cerradas, lo que genera escarcha debido a la entrada de aire y un aumento de agua debido a la descongelación.

Carcasa caliente

- El calor del condensador integrado se disipa a través de la carcasa; esto es normal

- Cuando la carcasa se calienta demasiado porque la temperatura ambiente es alta o se han introducido demasiados alimentos, ventile bien para facilitar la disipación del calor.

Condensación en la superficie

- La condensación en la superficie exterior y en las juntas de la puerta del frigorífico es normal cuando hay mucha humedad ambiente. Solo tiene que pasar un paño limpio para retirar la condensación.

Ruido anómalo

- Zumbido: el compresor podría emitir un zumbido cuando está funcionando. Ese zumbido puede ser muy fuerte al poner en marcha o detener el aparato. Esto es normal.
- Crujidos: el refrigerante que fluye por el interior del aparato podría generar crujidos. Esto es normal.